

QUALITY FIREPLACES FOR LIFE.

KOZY HEAT FIREPLACES | BIRCHWOOD 20 & OAKPORT 18



KOZY HEAT
FIREPLACES

Birchwood 20 shown with a Prairie screen front, Masonry refractory and a Pedestal base.

BIRCHWOOD 20 & OAKPORT 18

FREE-STANDING GAS STOVES



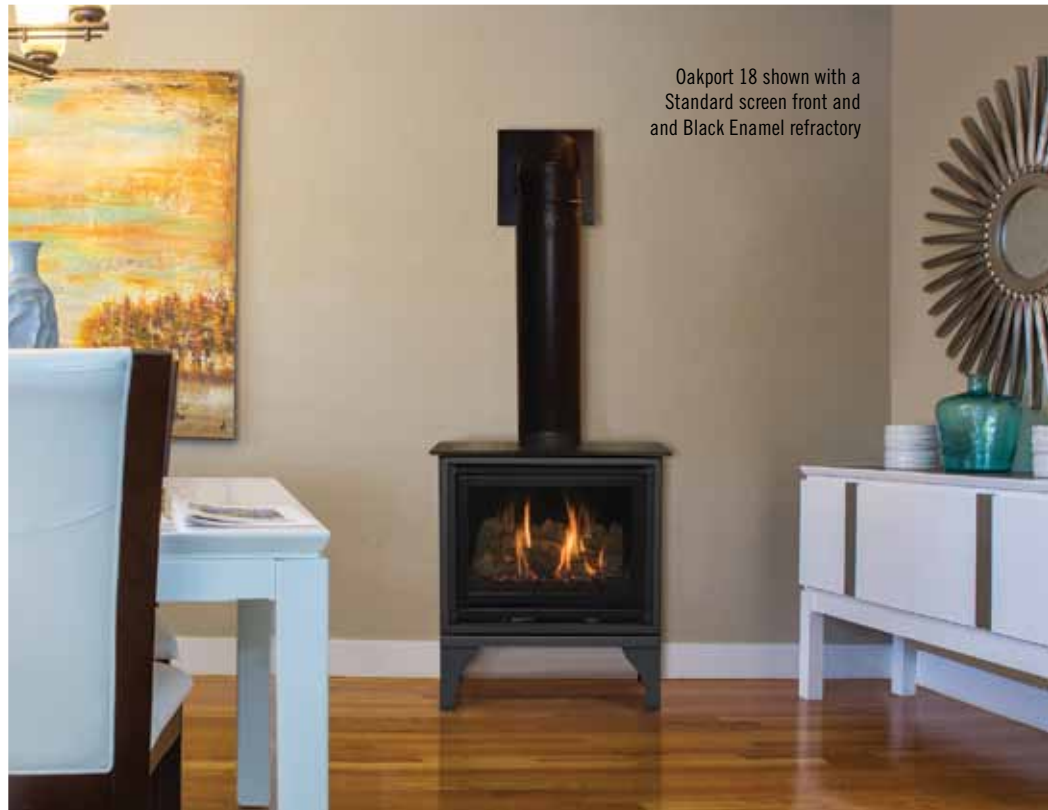
Birchwood 20 shown with a Rectangle screen front, black Enamel refractory, optional Contemporary base and optional tile frame kit (tile not included)



Birchwood 20 shown with an Arched Mission screen front, Traditional Brick refractory, and standard Traditional Legs.



Oakport 18 shown with an optional Prairie Design Overlay and Black Enamel refractory



Oakport 18 shown with a Standard screen front and Black Enamel refractory

FIREPLACE OPTIONS, ACCESSORIES & CONTROLS

Fronts

Birchwood 20



Full Rectangle screen front with Traditional Brick refractory



Prairie screen front with Black Enamel refractory



Arched Mission screen front - Black with Masonry refractory

Base Options



Traditional Legs (Standard)



Pedestal Base
(Birchwood Only)
Optional 1/2" Thick (4) Tile Size: 12 x 10-3/4"



Contemporary Base
(Birchwood Only)
Optional 1/2" Thick (6) Tile Size: 12 x 12"

Oakport 18



Standard screen front



Prairie Design Overlay with Black Enamel refractory



Arched Prairie Design Overlay with Black Enamel refractory

Optional Refractory



Traditional Brick
(Birchwood Only)



Masonry
(Birchwood Only)



Black Enamel

Finish



Black



Brushed Nickel
(Rectangular Full Screen Front Only)



Antique Copper
(Rectangular Full Screen Front Only)

IPI Control

(Birchwood 20-L Only)



Komfort Kontrol Remote



Millivolt Option Controls

(Excludes Birchwood 20 - L)



Touch Screen Thermostat Remote Control



Deluxe On/Off Remote



Wired or Wireless Wall Mount Thermostat



Wireless wall switch

Burn Video



Birchwood 20



Oakport 18

Vent System Approval & Requirements

This fireplace is manufactured to accept 4" x 6-5/8" pipe only.

- American Metal Products 4" x 6-5/8"
- BDM 4" x 6-5/8" (Except Cap 940264 on Oakport 18 only)
- ICC – EXCELDirect 4" x 6-5/8" – (Except CAP TM-4VT on Birchwood 20 only)
- Metal Fab 4" x 6-5/8"
- Olympia Chimney Supply, Inc. 4" x 6-5/8"
- Security 4" x 6-5/8" - Vertical only
- Selkirk 4" x 6-5/8"
- Simpson DuraVent 4" x 6-5/8" DV-GS (Except CAP 46DVASNK14 on Oakport 18 only)

The horizontal heat shield included with this fireplace must be installed when incorporating minimum horizontal venting

Elbows: Venting configurations vary between NG & LP Gas, please consult the installation manual for requirements.

Note: (2) 45° elbows = (1) 90° elbow

Maximum number of elbows for ALL vent configurations = 5

Horizontal Terminations: Venting configurations vary between NG & LP Gas, please consult the installation manual for requirements.

Vertical Terminations:
Minimum: 3' Maximum: 50'

Horizontal/Vertical Combo: Venting configurations vary between NG & LP Gas, please consult the installation manual for requirements.

SPECIFICATIONS

Model	Birchwood 20	Oakport 18
Height		
Traditional Legs	30-3/4"	26-3/4"
Pedestal & Contemporary Base	35-15/16"	N/A
Width		
Traditional Legs	25-15/16"	22-7/16"
Pedestal & Contemporary Base	27-3/4"	N/A
Depth	17-13/16"	16-5/16"
Weight	155 lbs.	114 lbs.
Viewing Area	14-1/8" x 20-1/16"	11-1/8" x 16-9/16"
BTU NG High / Low	32,500 / 15,750	24,500 / 15,500
BTU LP High / Low	32,500 / 15,750	24,500 / 19,000
Efficiencies NG / LP	69.44% / 65.16%	75% / 77%
ENERGUIDE P.4 NG / LP	65.83% / 66.04%	73.76% / 76.49%
Valve System	Millivolt & IPI	Millivolt & IPI
Standard Base	Traditional Legs	Traditional Legs
Optional Bases	Pedestal & Contemporary	N/A
Optional Refractory	Traditional Brick, Masonry, Black Enamel	Black Enamel
Tile Frame Kit	Optional	N/A
Fan Kit	IPI - Standard MV - Optional	Optional
Screen Front	Required	Included

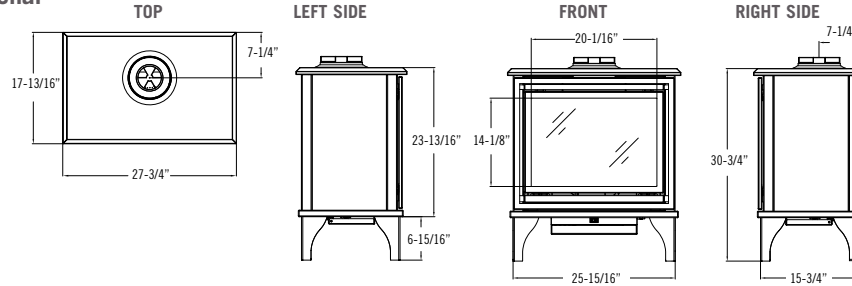
Features, Options & Specifications are subject to change.

Clearances

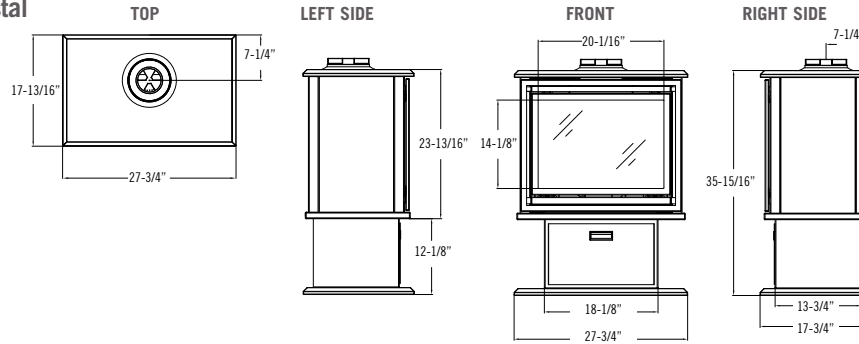
Model	Birchwood 20	Oakport 18
From appliance top corners to side wall	1"	1"
From appliance top to back wall	5"	5"
From appliance top to ceiling	35-3/4"	37-1/4"
From top of horizontal pipe surface to ceiling	3-1/8"	3-1/8"

Birchwood 20

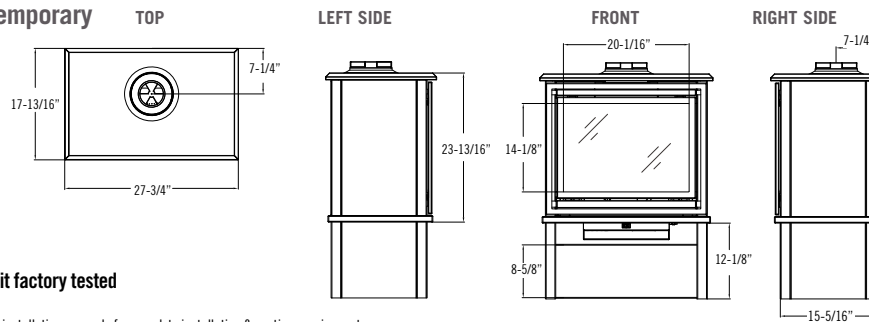
Traditional Legs



Pedestal



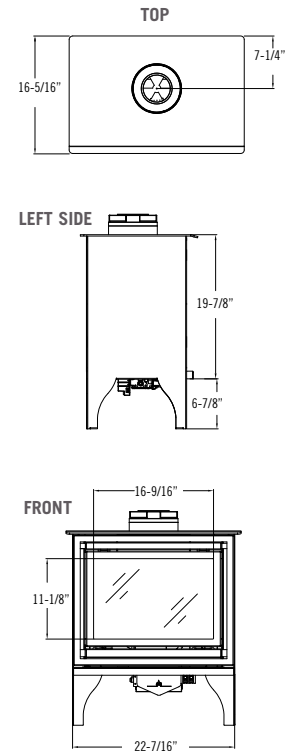
Contemporary



Each unit factory tested

Refer to the installation manuals for complete installation & venting requirements. See additional mantel clearance configurations in the installation manual.

Oakport 18



In order to continually provide the highest quality product available, features/options, specifications & dimensions are subject to change. Refer to the unit installation manual for complete installation instructions. Installation must conform with local building codes. **In some regions it may be possible that this appliance qualifies for an energy rebate. See your local dealer for details regarding promotions and qualifications.**

Product Line:



For complete information on the Kozy Heat product line, please contact us at:

Manufactured by Hussong Mfg. Co., Inc.
204 Industrial Park Drive, Lakefield, MN 56150
Phone 1-800-253-4904 www.kozyheat.com

10-17

