

IMPORTANT:
THESE INSTRUCTIONS ARE TO
REMAIN WITH THE HOMEOWNER
SAVE THESE INSTRUCTIONS



SERIAL #

SAFETY NOTICE

If this stove is not properly installed, a house fire may result. For your safety, follow the installation instructions. Contact local building or fire officials about restrictions and installation inspection requirements in your area.

INSTALLATION AND OPERATING INSTRUCTIONS

Meets the US Environmental Protection Agency's 2020 Particulate Emission Standards.



**MODEL:
SUPER INSERT LE**



Visit www.pacificenergy.net for the most recent version of this manual

Table of Contents

Contents

Table of Contents	2	Surround Dimensions	11
Rating Label	3	Minimum Fireplace Dimensions	12
Efficiency and BTU Output	3	Hearth Requirements:	12
Safety	4	Ember Protection:	13
Chimney Smoke and Creosote Formation.....	4	Optional Leveling Legs	13
Chimney Fires	4	Clearances	14
To Avoid a Chimney Fire	5	Minimum Clearances to Combustibles.....	14
In Case of a Chimney Fire.....	5	Installation	15
Curing of the Paint Finish.....	5	Into a Masonry Fireplace	15
Disposal of Ashes	5	Combustion Air	18
Operation	6	Electrical Supply	19
Wood Selection.....	6	Fan Cover Removal	19
DO NOT BURN :	6	Surround Assembly and Installation	20
How to Test Your Wood	6	Fan Speed Controller Relocation	21
Lighting a fire	7	Ashlip Replacement	23
Normal Operation	7	Troubleshooting	25
Convection Blower Operation.....	8	Firebrick Installation	26
Restarting After Extended or Overnight Burns	8	Parts Diagram.....	28
Proper Draft	8		
Ash Removal.....	8		
Maintenance	9		
Door Gaskets -	9		
Door Glass -	9		
Maintenance Checks	10		
Weekly:.....	10		
Monthly	10		
When Cleaning the Chimney System:	10		
Blower:.....	10		
Baffle:.....	10		
Baffle Removal	10		
Removal.....	10		
Dimensions	11		

WARNING

HOT GLASS WILL CAUSE BURNS.

DO NOT TOUCH GLASS UNTIL COOLED.

NEVER ALLOW CHILDREN TO TOUCH GLASS.

PLEASE SAVE THESE INSTRUCTIONS

This manual describes the installation and operation of the Pacific Energy, SUPER INSERT LE; Fireplace Insert wood heater. Please read this entire manual before you install and use your new room heater. Failure to follow instructions may result in property damage, bodily injury, or even death.

NOTE: WE STRONGLY RECOMMEND THAT SMOKE AND CARBON MONOXIDE DETECTORS BE INSTALLED IN THE AREA WHERE THE HEATER IS TO BE INSTALLED.

If smoke detectors have been previously installed, you may notice that they are operating more frequently. This may be due to curing of stove paint or fumes caused by accidentally leaving the fire door open. Do not disconnect the detectors.

SAFETY NOTICE: If this stove is not properly installed, a house fire may result. For your safety, follow the installation instructions. Contact local building or fire officials about restrictions and installation inspection requirements in you area.

Rating Label

This heater meets the 2020 U.S. Environmental Protection Agency's crib wood emission limits for wood heaters sold after May 15, 2020 using Method 28R. Under specific test conditions this heater has been shown to deliver heat at rates ranging from 12,518 to 38,177 Btu/hr.

The rating label is located on the bottom, back corner of the side casing on the door catch side. The label is affixed using a permanent self-adhesive.

MODEL / MODÈLE: SUPER INSERT LE ■ ALDERLEA T5 INSERT LE ■

LISTED SOLID WOOD FUEL FIREPLACE INSERT / APPAREIL DU TYPE INSERTION DE COMBUSTIBLE SOLIDE DE CHEMINÉE

CERTIFIED FOR USE IN CANADA AND U.S.A.

CERTIFIED TO / CERTIFIÉ POUR: CAN/ULC 628 / UL1482


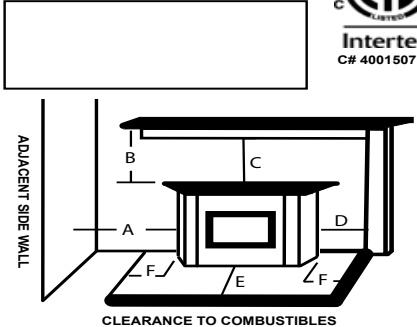
Refer to Intertek's Directory of Building Products for detailed information

MINIMUM CLEARANCE TO COMBUSTIBLES (MEASURED FROM FAN COVERS)

DÉGAGEMENT MINIMUM AUX COMBUSTIBLES (MESURÉ À PARTIR DE COUVERTURES DE VENTILATEUR)

A) ADJACENT SIDEWALL / PAROI LATÉRALE ADJACENTE	255 MM / 10 IN
B) MANTEL / MANTEAU	305 MM / 12 IN
C) TOP FACING / REVÊTEMENT SUPÉRIEUR	305 MM / 12 IN
D) SIDE FACING / REVÊTEMENT LATÉRAL	155 MM / 6 IN
E) FIRING SIDE / EPREUVE DU FEU, CANADA	457 MM / 18 IN
FIRING SIDE, U.S.A.	406 MM / 16 IN
F) OTHER SIDES / AUTRES CÔTÉS.	200 MM / 8 IN

INSTALL ONLY ON A NON-COMBUSTIBLE HEARTH UNDER THE UNIT, EXTENDING A DISTANCE OF 16IN / 406MM IN FRONT OF THE FIREPLACE OPENING FACE. // INSTALLER UNIQUEMENT SUR UN COEUR NON COMBUSTIBLE SOUS L'APPAREIL, S'ÉTENDANT À UNE DISTANCE DE 16po / 406mm DEVANT LE FACE D'OUVERTURE DU FOYER.

ADJACENT SIDE WALL


CLEARANCE TO COMBUSTIBLES

- INSTALL AND USE ONLY IN ACCORDANCE WITH PACIFIC ENERGY'S INSTALLATION AND OPERATING INSTRUCTIONS.
- CONTACT LOCAL BUILDING OR FIRE OFFICIALS ABOUT CODES, RESTRICTIONS AND INSTALLATION INSPECTION IN YOUR AREA.
- INSTALL AND USE ONLY IN MASONRY FIREPLACE. NOT TO BE INSTALLED IN ANY FACTORY BUILT FIREPLACE
- DO NOT CONNECT THIS UNIT TO A CHIMNEY FLUE SERVING ANOTHER APPLIANCE.
- COMPONENTS REQUIRED FOR INSTALLATION : FULL FLUE LINER CONFORMING TO CAN/ULC-S635 OR CAN/ULC-S640, IN U.S.A. FLUE LINER CONFORMING TO UL-1777 OR DIRECT FLUE CONNECTION ASSEMBLY.
- ELECTRICAL RATING 115V, 60HZ, 1.2 AMP. ROUTE POWER CORD AWAY FROM UNIT.
- DANGER: RISK OF ELECTRICAL SHOCK. DISCONNECT POWER BEFORE SERVICING UNIT.
- FOR USE WITH SOLID WOOD FUEL ONLY. DO NOT USE GRATE OR ELEVATE FIRE - BUILD WOOD FIRE DIRECTLY ON HEARTH.
- OPERATE ONLY WITH FEED DOOR CLOSED. OPEN TO FEED FIRE ONLY. REPLACE GLASS ONLY WITH CERAMIC GLASS.
- INSPECT AND CLEAN CHIMNEY FREQUENTLY. UNDER CERTAIN CONDITIONS OF USE, CREOSOTE BUILDUP MAY OCCUR RAPIDLY.
- STOVE IS DESIGNED TO BURN CORDWOOD ONLY. BURNING OTHER MATERIALS MAY CAUSE DAMAGE TO STOVE OR HOME.
- THIS WOOD HEATER NEEDS PERIODIC INSPECTION AND REPAIR FOR PROPER OPERATION.
- CONSULT THE OWNER'S MANUAL FOR FURTHER INFORMATION.
- IT IS AGAINST FEDERAL REGULATIONS TO OPERATE THIS WOOD HEATER IN A MANNER INCONSISTENT WITH THE OPERATING INSTRUCTIONS IN THE OWNER'S MANUAL

- INSTALLEZ ET UTILISEZ SELON LES INSTRUCTIONS D'INSTALLATION ET D'UTILISATION DE PACIFIC ENERGY.
- CONTACTEZ LES AGENTS LOCAUX DU CODE DU BÂTIMENT OU DU SERVICE-INCENDIE, CONCERNANT LES CODES, RESTRICTIONS ET EXIGENCES D'INSPECTION D'INSTALLATION DE VOTRE RÉGION.
- INSTALLER ET UTILISER UNIQUEMENT DANS UN FOYER EN MAÇONNERIE. NE PAS ÊTRE INSTALLÉ DANS UN FOYER CONSTRUIT EN USINE.
- NE RACCORDEZ PAS CET APPAREIL À UN CONDUIT DE CHEMINÉE DESERVANT UN AUTRE APPAREIL.
- COMPOSANTS REQUIS POUR L'INSTALLATION : GAINE DE CHEMINÉE COMPLÈTE CONFORME À CAN/ULC-S635 OU CAN/ULC-S640.
- ALIMENTATION ÉLECTRIQUE : 115 V, 60 HZ, 1.2 AMP. ÉLOIGNEZ LE CORDON ÉLECTRIQUE DE L'APPAREIL. DANGER : RISQUE D'ÉLECTROCUTION.
- POUR UTILISATION AVEC BOIS SOLIDE SEULEMENT. AUCUN PORTE-BÛCHES NI FEU SURÉLEVÉ - MONTEZ LES BÛCHES DE BOIS DIRECTEMENT SUR L'ÂTRE. REMPLACEZ LA VITRE SEULEMENT PAR UNE VITRE EN CÉRAMIQUE.
- INSPECTEZ ET NETTOYEZ LA CHEMINÉE RÉGULIÈREMENT - EN CERTAINES CONDITIONS, DES DÉPÔTS DE CRÉOSOTE PEUVENT SE FORMER RAPIDEMENT.
- UTILISEZ CET APPAREIL SEULEMENT AVEC LA PORTE DE CHARGEMENT FERMÉE. OUVREZ-LA SEULEMENT POUR ALIMENTER LE FEU. CE POÊLE EST CONÇU UNIQUEMENT POUR BRÛLER DU BOIS DE CORDE. BRÛLER D'AUTRES MATÉRIAUX PEUT ENDOMMAGER LE POÊLE OU LE BÂTIMENT.
- COUPEZ L'ALIMENTATION ÉLECTRIQUE AVANT TOUT TRAVAIL D'ENTRETIEN SUR L'APPAREIL.

MADE IN CANADA

MANUFACTURED BY:
PACIFIC ENERGY FIREPLACE PRODUCTS LTD.
2975 ALLENBY RD., DUNCAN, BC V9L 6V8



DATE OF MANUFACTURE

SUPER INSERT LE 100002100

SUPER ALT5 Insert LE Rating label. Efficiency and BTU Output

EPA Certified Emissions	1.8 grams per hour
LHV Tested Efficiency 1	77%
HHV Tested Efficiency 2	71%
EPA BTU Output 3	12,518 to 38,177 btu/hr
Maximum Wood Length	18 inches
Ideal Wood Length	16-18 inches
Fuel	Seasoned Cord wood

- 1 Weighted Average Lower Heating Value (LHV) efficiency as tested using CSA B415 Performance testing of solid-fuel-burning heating appliances. LHV assumes the moisture is already in a vapour state so there is no loss of energy
- 2 Weighted Average Higher Heating Value (HHV) efficiency as tested using CSA B415 Performance testing of solid-fuel-burning heating appliances. HHV includes the energy required to vaporize the water in the fuel
- 3 The range of BTU outputs is based on efficiency using CSA B415 Performance testing of solid-fuel-burning heating appliances and burn rates from the low and high EPA tests using Douglas Fir dimensional lumber.

Experience will give you the right settings for proper combustion and efficient burning. Remember the correct air inlet setting is affected by variables such as type of wood, outside temperature, chimney size and weather conditions. With practice, you will become proficient in operating your heater and will obtain the performance for which it was designed.

Safety

CAUTION: Never use gasoline type lantern fuel, kerosene, charcoal lighter fluid or similar liquids to start or "freshen up" a fire in this heater. Keep all such liquids well away from the heater while it is in use.

Instruct all members of your family on the safe operation of the heater. Ensure they have enough knowledge of the entire system if they are expected to operate it. Stress the section on chimney fires and the importance of following the steps outlined "In Case of Chimney Fire".

Chimney Smoke and Creosote Formation

When wood is burned slowly, it produces tar and other organic vapours, which combine with expelled moisture to form creosote. The creosote vapours condense in the relatively cool chimney flue of a slow burning fire. As a result, creosote residue accumulates on the flue lining. When ignited, this creosote makes an extremely hot fire. The chimney connector and chimney should be inspected periodically (at least once every two months) during the heating season to determine if a creosote buildup has occurred. If creosote has accumulated (3 mm. or more), it should be removed to reduce the risk of a chimney fire.

1. Highest smoke densities and emissions occur when a large amount of wood is added to a bed of hot coals and the air inlet is closed. The heated wood generates smoke, but without ample air, the smoke cannot burn. Smoke-free, clean burning requires small fuel loads, two or three logs at a time or 1/4 to 1/2 of fuel load and leaving the air inlet relatively wide open, especially during the first 10 to 30 minutes after each loading, when most of the smoke generating reactions are occurring. After 30 minutes or so, the air inlet can be turned down substantially without excessive smoke generation. Wood coals create very little creosote-producing smoke.
2. The cooler the surface over which the wood smoke is passing, the more creosote will be condensed. Wet or green wood contributes significantly to creosote formation as the excess moisture that is boiled off cools the fire, making it difficult for the tars and gases to ignite, thus creating dense smoke and poor combustion. This moisture-laden smoke cools the chimney, compounding the problem by offering the smoke the ideal place to condense.

In summary, a certain amount of creosote is inevitable. Regular inspection and cleaning is the solution. The use of dry, seasoned wood and ample combustion air will help to minimize annoying smoke emissions and creosote buildup.

Chimney Fires

The dangerous side effect of excessive creosote buildup is a chimney fire. This causes much higher than normal temperatures in the chimney and on its exterior surfaces. Temperatures inside the chimney can exceed 2000°F (1100°C). Ignition of nearby or touching combustible material is more likely during a chimney fire. Proper clearances are critical to prevent damage during such a fire.

Chimney fires are easy to detect; they usually involve one or more of the following:

- Flames and sparks shooting out of the top of the chimney
- A roaring sound
- Vibration of the chimney

To Avoid a Chimney Fire

1. Burn wood cleanly. Do not burn wet wood or turn down the unit too quickly after loading.
2. Do not let creosote build up to a point where a chimney fire is possible.
3. Do not have fires in the heater that may ignite chimney fires. These are excessively hot fires, such as when burning household trash, cardboard, Christmas tree limbs, or even ordinary fuel wood; (eg. with a full load on a hot bed of coals and with the air inlet wide open for more time than is needed to completely char a fresh fuel load.)
4. The Chimney and connector pipe should be inspected /cleaned periodically.

In Case of a Chimney Fire

1. Prepare to evacuate to ensure everyone's safety. Have a well understood plan of action for evacuation. Have a place outside where everyone is to meet.
 2. Close air inlet on stove.
 3. Call local fire department. Have a fire extinguisher handy. Contact your local municipal or provincial fire authority for further information on how to handle a chimney fire. It is most important that you have a clearly understood plan on how to handle a chimney fire.
 4. After the chimney fire is out, the chimney must be cleaned and checked for stress and cracks before starting another fire. Also check combustibles around the chimney and the roof.
- The services of a professionals who are certified by a “Qualified agency”;such as

**NFI (National Fireplace Institute®) in the United States,
CSIA (Chimney Safety Institute of America) in the United States and Canada,
WETT (Wood Energy Technology Transfer) in Canada or
APC (Association des Professionnels du Chauffage) in Quebec**

Curing of the Paint Finish

To achieve the best finish, the paint on your stove must be baked on. When burning your stove for the first 2-3 times it is very important that the room be well ventilated. Open all windows and doors. Smoke and fumes caused by the curing process may cause discomfort to some individuals. Follow the procedures on the information sheet included with your stove from STOVE BRIGHT (Forrest Paint).

Disposal of Ashes

Ashes should be placed in a metal container with a tight fitting lid. The closed container of ashes should be placed on a non-combustible floor or on the ground, well away from all combustible materials, pending final disposal. If the ashes are disposed of by burial in soil or otherwise locally dispersed, they should be retained in closed container until all cinders have thoroughly cooled. Other waste should not be placed in this container.

Operation

CAUTION: Hot while in operation. Keep children, clothing and furniture away. Contact may cause skin burns.

WARNING: Always keep loading door closed when burning. This heater is not designed for open door burning. Risk of sparks, embers and/or smoke coming from the unit.

WARNING: No alteration or modification of the combustion air control assembly is permitted. Any tampering will void warranty and could be very hazardous.

WARNING: Do not use grates or andirons to elevate the fuel. Burn directly on the fire bricks. Replace broken or missing bricks. Failure to do so may create a hazardous condition.

Wood Selection

This heater is designed to burn natural wood only. Higher efficiency and lower emissions generally result when burning air-dried seasoned hardwoods, as compared to softwoods or to green or freshly cut hardwoods.

Wood should be properly air dried (seasoned) for six months or more. Wet or undried wood will cause the fire to smoulder and produce large amounts of smoke and creosote. Wet wood also produces very little heat and tends to go out often. Wood should be stored under cover away from open flame or heat sources.

DO NOT BURN :

• Salt water wood *	• Treated wood
• Wet or green wood	• Coal/charcoal
• Garbage*	• Solvents
• Lawn clippings/yard waste	• Unseasoned wood
• Railroad ties	• Manure or animal remains
• Materials containing rubber, including tires	• Materials containing plastic
• Construction or demolition debris	• Materials containing asbestos
• Waste petroleum products, paints, paint thinners, or asphalt products	• Paper products, cardboard, plywood, or particleboard.

* **These materials contain chlorides which will rapidly destroy metal surfaces and void warranty.**

Burning these materials may result in the release of toxic fumes or render the heater ineffective and cause smoke.

Do not burn anything but wood. Other fuels, eg. charcoal, can produce large amounts of carbon monoxide, a tasteless, odourless gas that can kill. Under no circumstances should you attempt to barbecue in this heater.

The prohibition against burning these materials does not prohibit the use of fire starters made from paper, cardboard, saw dust, wax and similar substances for the purpose of starting a fire in an affected wood heater.

How to Test Your Wood

Add a large piece of wood to the stove when it has a good large bed of coals. It is dry if it is burning on more than one side within one minute. It is damp if it turns black and lights within three minutes. If it sizzles, hisses and blackens without igniting in five minutes it is soaked and should not be burnt.

Lighting a fire

WARNING: Never use chemicals or any other volatile liquid to start a fire. Do not burn garbage, or flammable fluids such as gasoline, naphtha, or engine oil.

1. Adjust air control to "High" position(all the way to the left) and open door.
2. Place crumpled newspaper in the centre of the heater and crisscross with several pieces of dry kindling. Add a few small pieces of dry wood on top.
3. Ignite the paper and leave the door ajar approximately 1/2"(13mm) - 1"(25mm) until the wood kindling is fully engulfed in flame.
4. After the kindling is fully engulfed add a few small logs. Close door.
5. Begin normal operation after a good coal base exists and wood has charred.

Normal Operation

WARNING: This Insert has a manufacturer-set minimum low burn rate that must not be altered. It is against federal regulations to alter this setting or otherwise operate this wood heater in a manner inconsistent with the operating instructions in this manual.

1. Set air control to a desired setting. If smoke pours down across the glass (waterfall effect) this indicates you have shut the control down too soon or you are using too low a setting. The wide range control panel makes finding the desired setting for your application easy. As every home's heating needs vary (ie. insulation, windows, climate, etc.) the proper setting can only be found by trial and error and should be noted for future burns.
 2. To refuel, adjust air control to high, and give the fire time to brighten. Open the door slowly, this will prevent back puffing.
 3. Use wood of different shape, diameter and length (up to 18"(457mm)). Load your wood endwise and try to place the logs so that the air can flow between them. Always use dry wood.
 4. Do not load fuel to a height or in such a manner that would be hazardous when opening the door.
 5. For extended or overnight burns, unsplit logs are preferred. Remember to char the wood completely on maximum setting before adjusting air control for overnight burn.
- Burn wood only, dry and well seasoned. The denser or heavier the wood when dry, the greater its heat value. This is why hardwoods are generally preferred. Green or wet wood will cause a rapid buildup of creosote. If you feel it is necessary to burn wet or unseasoned wood, do so only with the air inlet set open enough to maintain a good strong fire and fairly high chimney temperatures. Do not attempt to burn overnight using green wood or wet wood. Wet wood can cause up to 25% drop in heater output, as well as contributing significantly to creosote buildup.

DO NOT OVERFIRE THIS HEATER:

Attempts to achieve heat output rates that exceed heater design specifications can result in permanent damage to the heater and chimney. A glowing red, top or vent pipe are indications of overfiring. Failure to rectify an over firing condition can be hazardous and may void the manufacturer's warranty.

Convection Blower Operation

The Insert comes equipped with twin variable speed circulating air blowers. The blower system is thermostatically controlled for automatic operation, as well as manually with a convenient bypass switch. Automatic Blower Operation: Allows the blowers to turn on automatically once the Insert has come up to operating temperature. It will also shut the blowers off after the fire has gone out and the appliance has cooled to below a useful heat output range. Push the rocker switch to the "OFF" position and set the fan speed control to a desired setting.

Manual Blower Operation: Push the rocker switch to the "ON" position and set the fan speed control to a desired setting. This will bypass the temperature switch and allow full control of the blowers.

Suggested settings:

- Combustion air control setting of "L" (low) position (pushed to the far right), operate blower speed control on "Low".
- Combustion air control set at anything above "L" (low), operate blower speed control at desired setting.

Restarting After Extended or Overnight Burns

1. Open door and rake hot embers towards the front of the heater. Add a couple of dry, split logs on top of embers, close door.
2. Adjust air control to high and in just a few minutes, logs should begin burning.
3. After wood has charred, reset air control to desired setting.
4. To achieve maximum firing rate, set control to high "H". Do not use this setting other than for starting or preheating fresh fuel loads.

Proper Draft

1. Draft is the force which moves air from the appliance up through the chimney. The amount of draft in your chimney depends on the length of the chimney, local geography, nearby obstructions and other factors.
2. Too much draft may cause excessive temperatures in the appliance. An uncontrollable burn or a glowing red stove part or chimney indicates excessive draft.
3. Inadequate draft may cause back puffing into the room and plugging of the chimney. Smoke leaking into the room through appliance and chimney connector joints indicates inadequate draft.

Remember the correct air inlet setting is affected by variables such as type of wood, outside temperature, chimney size and weather conditions.

Ash Removal

Caution: Ashes are to be removed only when the heater is cold. Whenever ashes get 3"(76mm) to 4"(102mm) deep in your firebox, and when fire has burned down and cooled, remove excess ashes. Leave an ash bed approximately 1" (25 mm) deep on the firebox bottom to help maintain a hot charcoal bed.

See section "Disposal of Ashes" on page 5.

Maintenance

WARNING: ONLY USE MATERIALS SUPPLIED BY MANUFACTURER WHEN DOING MAINTENANCE OR REPLACEMENTS.

Door Gaskets -

The gasket used by Pacific Energy (7/8"(22mm) medium density fiberglass rope) requires only light pressure to seal. This will prolong seal life. It is important that the door seal be maintained in good condition. Periodically inspect seals and replace if necessary. Follow the instructions included in the kit (prt# 80000156). The kit can be obtained from your nearest Pacific Energy dealer.

Door Glass -

Do not slam loading door or otherwise impact glass. When closing door, make sure that no logs protrude to impact the glass. If the glass gets cracked or broken, it must be replaced before using the stove. Replacement glass can be obtained from your dealer. Use 8-13/16"(224mm) x 15-1/4"(387mm) x 5 mm. Ceramic glass only. Do not substitute with any other type.

To remove broken glass, undo the four retaining screws and remove the clamps and frame, noting position for re-assembly. Remove all particles of glass. Be careful as they are very sharp. Install new glass complete with gasket. Replace frame, clamps and screws.

CAUTION:

- **do not overtighten, tighten screws very carefully**
- **do not clean glass when hot**
- **do not use abrasive cleaners on glass**

1. If glass becomes darkened through slow burning or poor wood, it can readily be cleaned with fireplace glass cleaner when stove is cold. Never scrape with an object that might scratch the glass. The type and amount of deposit on the glass is a good indication of the flue pipe and chimney buildup. A light brown dusty deposit that is easily wiped off usually indicates good combustion and dry, well-seasoned wood and therefore relatively clean pipes and chimney. On the other hand, a black greasy deposit that is difficult to remove is a result of wet and green wood and too slow a burning rate. This heavy deposit is building up at least as quickly in the chimney.
2. The area where boost combustion air enters the firebox must be kept clear of excessive ash buildup which will block air flow. This area is at the front of the firebox.
3. Do not store wood within heater installation clearances, or within the space required for fuel loading and ash removal. Keep the area around the heater clean and free of loose combustibles, furniture, newspapers, etc.
4. If the plated door requires cleaning, use mild soap and water only. Use of abrasive cleaners will void warranty.
5. Establish a routine for the fuel, wood burning and firing technique. Check daily for creosote buildup until experience shows how often you need to clean to be safe.
6. Be aware that the hotter the fire, the less creosote is deposited. Weekly cleaning may be necessary in mild weather, even though monthly cleaning is usually enough in the coldest months when burning rates are higher. When wood is burned slowly, it produces tar and other organic vapours, which combine with expelled moisture to form creosote.

Maintenance Checks

Check the following parts for damage such as cracks, excessive corrosion, burned out sections and excessive warping: (See website for descriptions and more detail)

Weekly:

- Firebrick - Visual, for cracking.
- Door Gasket - sagging, placement, damage.

Monthly

- Baffle.
- Brick rail tabs and brick rails.
- Air riser tube in the back of the firebox.
- Back side of airwash chamber.
- Baffle locking pin.
- Boost tube cover.
- **It is recommended to inspect the liner and connector monthly and to have the liner cleaned annually or more frequently if required.**

When Cleaning the Chimney System:

- Top baffle board/blanket.
- Top heat shield and mounting bolt.
- Baffle Gasket.
- Brick Rails.
- Manifold.

Blower:

- The blower should be cleaned out a minimum every six months by removing the covers and using a vacuum on the openings in the blower ,to remove any dust and debris.

Baffle:

- Some warping of the baffle is normal(up to 1/4" or .65cm). Replace if the baffle has permanent warping greater than this or has cracking or breakage.
- Please contact your Dealer if you experience any of the damage listed above. Continuing to operate your stove with broken parts may accelerate damage to other parts and may void your warranty.

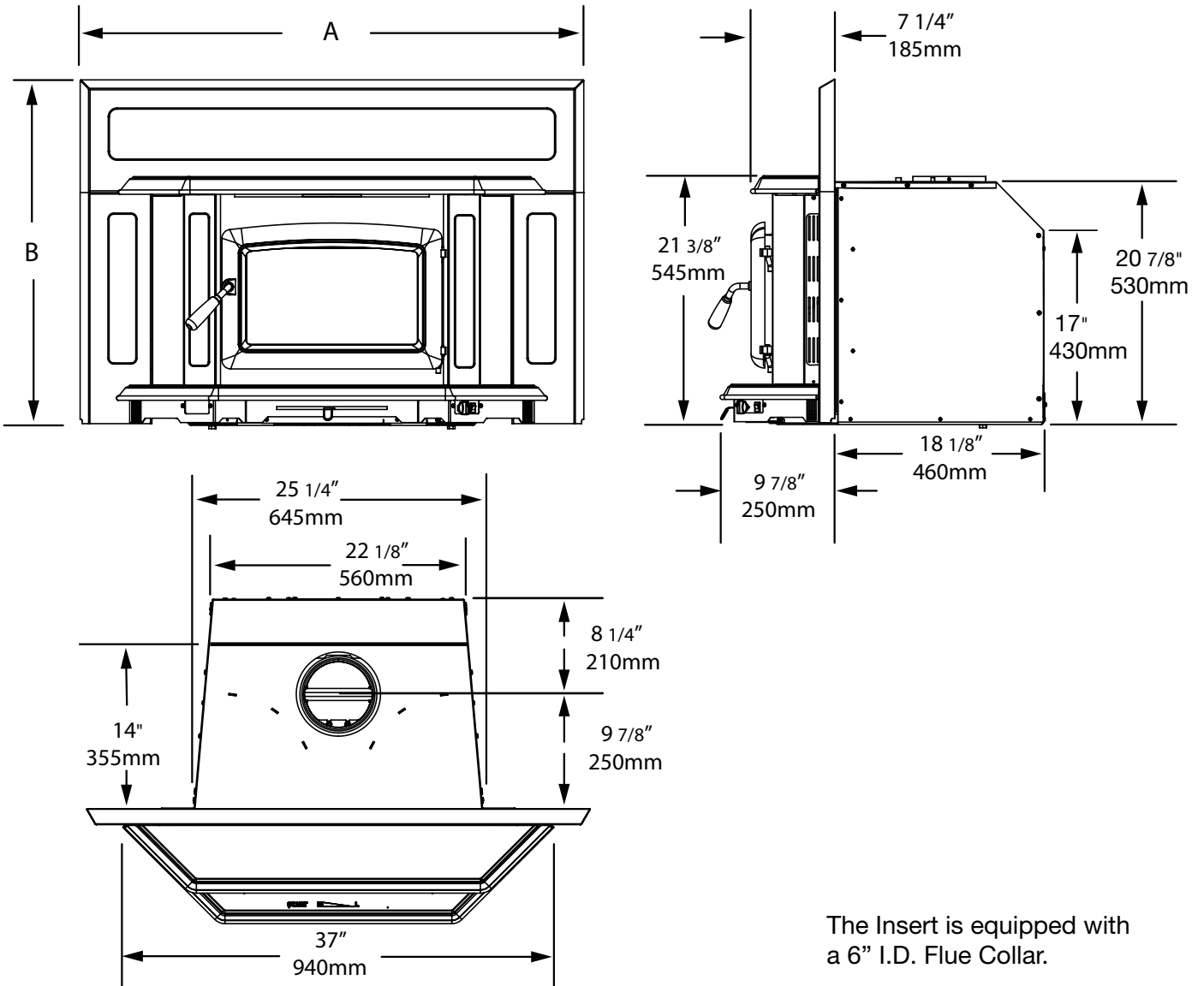
Baffle Removal

DO NOT OPERATE WITH BAFFLE ASSEMBLY OR INSULATION REMOVED.

Removal

Remove retaining pin at the back top of the firebox, just under the baffle. Lift baffle up and pull forward to disconnect from the supply tube. Tilt baffle sideways to drop down and remove from firebox. Inspect gasket between baffle and supply tube. If necessary, replace with gasket part number 80000365, available from your Pacific Energy dealer. Re-install baffle assembly in reverse order. The two side pieces of insulation must be tight against the side rails.

Dimensions



The Insert is equipped with a 6" I.D. Flue Collar.

Figure 1: Super Insert LE - dimensions.

Surround Dimensions		
	REGULAR SURROUND	OVERSIZED SURROUND
A	43 3/8"	48"
B	29 5/8"	33 5/8"

Minimum Fireplace Dimensions

Hearth Requirements:

The fireplace's non-combustible masonry hearth must extend 16" in front and 8" beyond each side of the existing fireplace opening. See Figure 2.

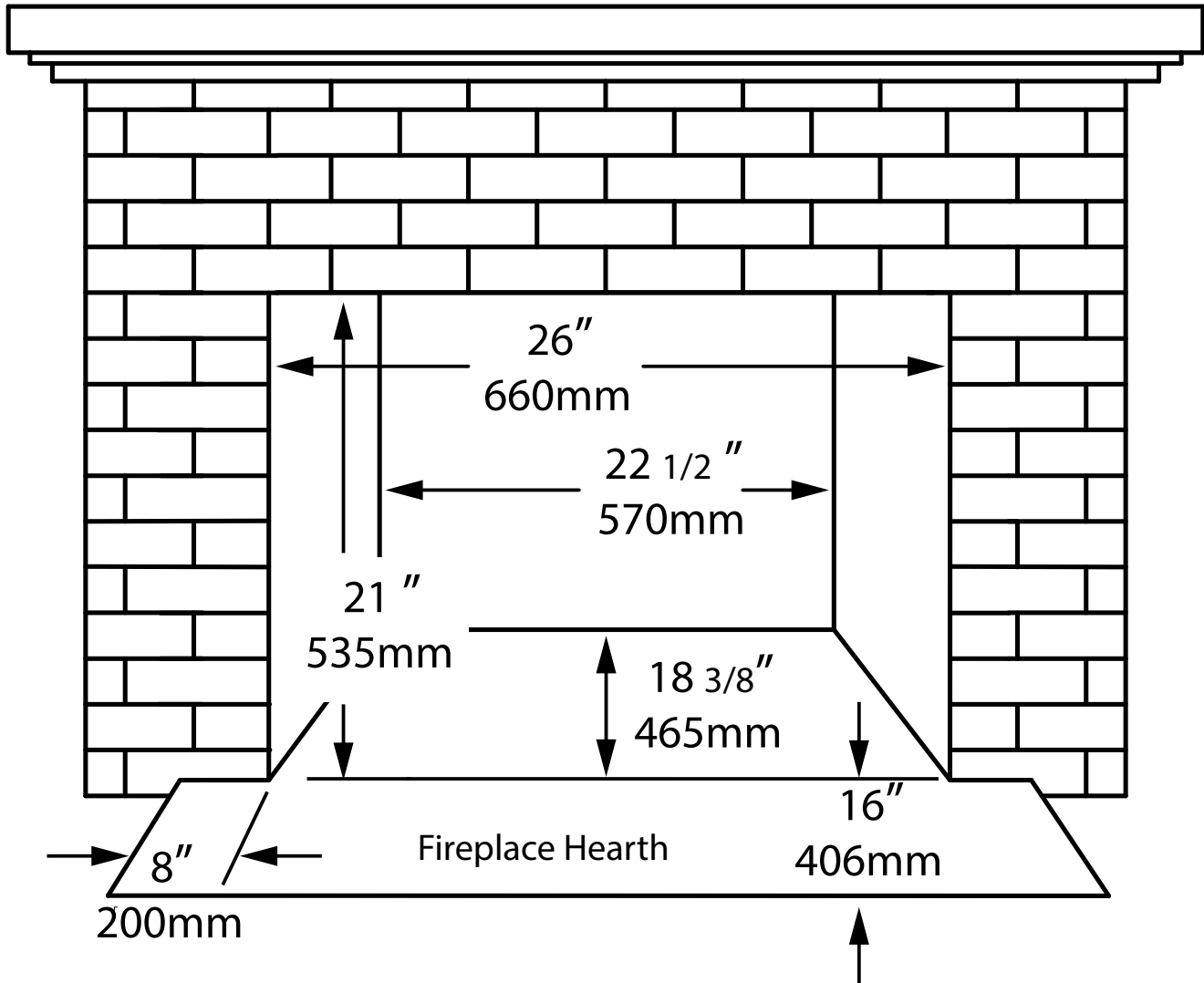


Figure 2: Fireplace opening dim. - Super Insert LE.

Ember Protection:

Combustible flooring in front of the fireplace insert must be protected from hot embers by non-combustible material extending;

- Canada - 18" to the firing side (From the Glass) and 8" to each side of the unit.
- U.S.A. - 16" to the firing side (From the Glass) and 8" to each side of the door opening.

Consult CAN/CSA-B365 Installation Code for Solid-Fuel-Burning appliances and equipment in Canada, and N.F.P.A. 211 Standard for chimneys, fireplaces, vents and Solid-Fuel-Burning appliances in USA.

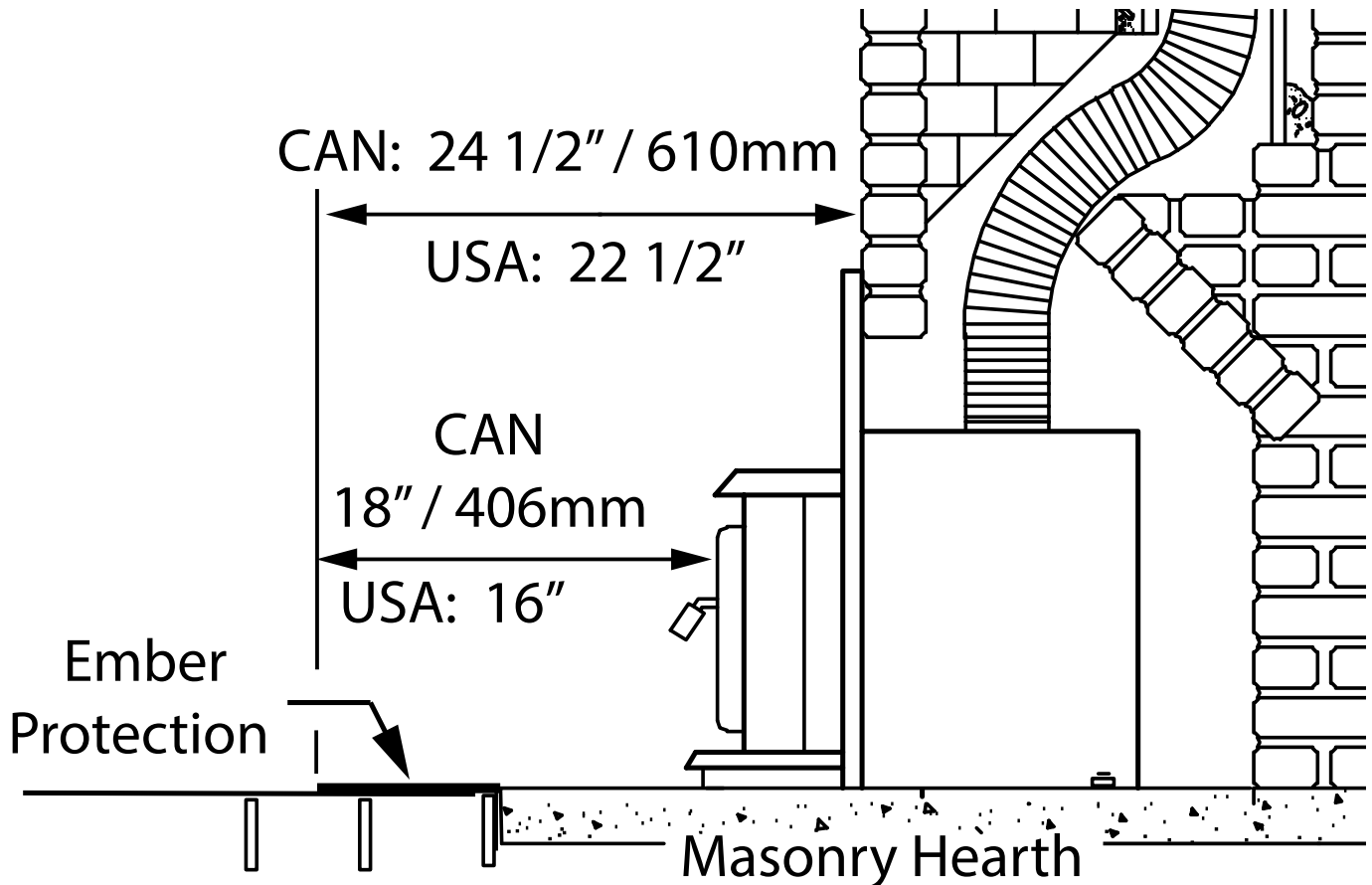


Figure 3: Super Insert LE - Ember protection.

Optional Leveling Legs

Leveling legs(bolts) are provided if you need them to level or steady the insert on an uneven hearth.

- If your fireplace is lower than the hearth mount the rear leveling leg bolts. Prop the unit up to access threaded inserts under the sides towards the rear of the unit. Thread supplied bolts into inserts, set depth to correspond to depth of fireplace drop.
- If your hearth is lower than the fireplace floor install the front leveling bolts. Prop the unit up to access the threaded inserts under the front, towards the sides of the unit. Thread the supplied bolts into inserts.
-

Push the Insert into position in the fireplace and adjust the leveling bolts as needed to level the Insert.

Clearances

The minimum required clearances to surrounding combustible materials when installed into a masonry or factory built fireplace are listed below and in Figure 4.

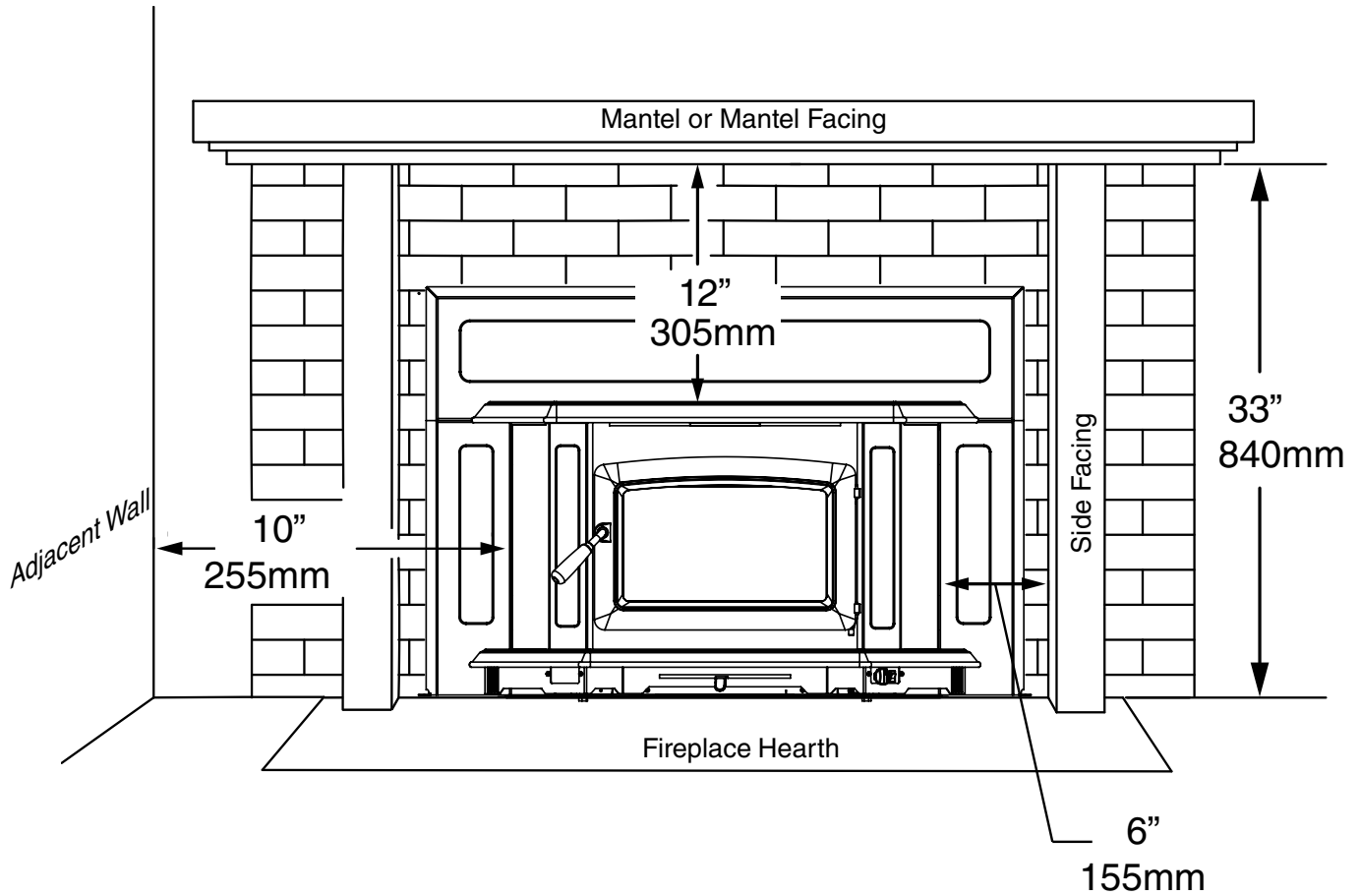


Figure 4: SUPER Insert LE Clearances.

Minimum Clearances to Combustibles

Side of Blower Cover to Adjacent Sidewall	10 in.(255 mm.)
Side of Blower Cover to Side Facing (max 3-1/2 in. deep).....	6 in.(155 mm.)
Top of Cast top to Mantel Facing.....	12 in.(305 mm.)
Top of Cast Top to Mantel	12 in.(305 mm.)

Maximum Mantel Depth is 12in.

CAUTION: Unit hot while in operation. Parts of the appliance, especially the external surfaces, will be hot to touch when in operation. Keep children, clothing and furniture away. Contact may cause skin burns.

Installation

Your Insert is designed to be installed into a masonry wood burning fireplace. The masonry fireplace must be built according to the requirements of the Standard of Chimneys, Fireplaces, Vents and Solid Fuel Burning appliances, N.F.P.A. 211 (Latest Edition) or applicable National, Provincial, State or local codes. The installation shall conform to CAN/CSA-B365, Installation Code for Solid-Fuel-Burning Appliances and Equipment.

This Insert shall not be installed in a factory-built fireplace.

Warning: Under no circumstances is this heater to be installed in a makeshift or "temporary" manner.

DO NOT CONNECT THIS UNIT TO A CHIMNEY FLUE SERVICING ANOTHER APPLIANCE.

Fireplace Specifications

See page 12 for the fireplace minimum size.

Chimney height (from hearth) 15' (minimum).

- The fireplace and chimney system must be suitable for wood burning use. Check for creosote build up or other obstructions. **Have the chimney swept and inspected.** Inspect your fireplace for cracks, loose mortar or other physical defects. If repairs are required, they should be completed before installing your insert.
- **The Insert must be installed in accordance with local and or national building codes.**

We recommend that our products be installed and/or serviced by professionals who are certified by a "Qualified agency";

**NFI (National Fireplace Institute®) in the United States,
CSIA (Chimney Safety Institute of America) in the United States and Canada,
WETT (Wood Energy Technology Transfer) in Canada or
APC (Association des Professionnels du Chauffage) in Quebec**

Caution:

- The fireplace insert is heavy and should be installed by two people.
- Place cardboard or heavy blanket on the hearth to prevent damage while installing.

Into a Masonry Fireplace

The existing fireplace damper is to be locked open or removed completely.

WARNING: Do not remove bricks or mortar from your existing fireplace.

- **Exception:** Masonry or steel, including the damper plate, may be removed from the smoke shelf and adjacent damper frame if necessary to accommodate a chimney liner, provided that their removal will not weaken the structure of the fireplace and chimney, and will not reduce protection for combustible materials to less than that required by the National Building Code.

A metal tag is provided and is to be fastened to the back wall of the fireplace, If the fireplace has been modified to accommodate the insert.

Full Flue Liner - (Required in Canada)

In Canada, this Fireplace Insert must be installed with a continuous chimney liner extending from the Fireplace Insert's Flue Collar to the top of the chimney. The chimney liner must conform to the class 3 requirements of CAN/ULC-S635, Standard for Lining Systems for Existing Masonry or Factory-Built Chimneys and Vents, or CAN/ULC-S640, Standard for Lining Systems for New Masonry Chimneys. The Insert is equipped with a 6" I.D. Flue Collar.

1. Measure the chimney height from the top of the existing Chimney flue to the floor of the hearth. This will allow extra length of liner for flashing and rain cap.
2. Feed the stainless steel liner from top of the chimney, through the damper area and into the fireplace cavity. Attach a "stove to liner" adapter to the bottom of the liner as per the liner manufacturer's instructions.
3. Remove the flue collar from the stove by undoing the two bolts. Attach the Flue Collar to the adapter and secure with three Stainless screws. Caulk around connections with high temp stove cement. Ensure the gasket is in good working shape.
4. Remove both the right & left blower covers. Remove the Torx screw on each side, located in the top rear corner. Lift up and pull the covers towards you, to release the tabs.
5. Remove the Cast Top by loosening the two wing bolts and pulling toward you. Remove the Baffle.
6. Push unit into the fireplace. Use the front or rear adjustment legs, level the insert depending on your hearth configuration. (NOTE: Adjustment legs are located in the bottom, sides, front and rear of the insert).
7. Reach through the flue opening and pull down on the Flue Collar with the tool provided until the bolts pass through the flue opening. Install the clamps and nuts. Center the collar on the opening and tighten the nuts.
8. Measure, trim and shape a Chimney top flashing to fit the existing chimney flue. Plan for a 1" to 1-1/2" overlap on each side. Place flashing over top of the liner and seat firmly against the flue tile.
9. Attach a rain cap to the end of the liner. A storm collar may be used if desired.
10. Install the surround See "Surround Assembly and Installation" on page 20, Re-Install the top and Blower covers in the reverse order they were removed.

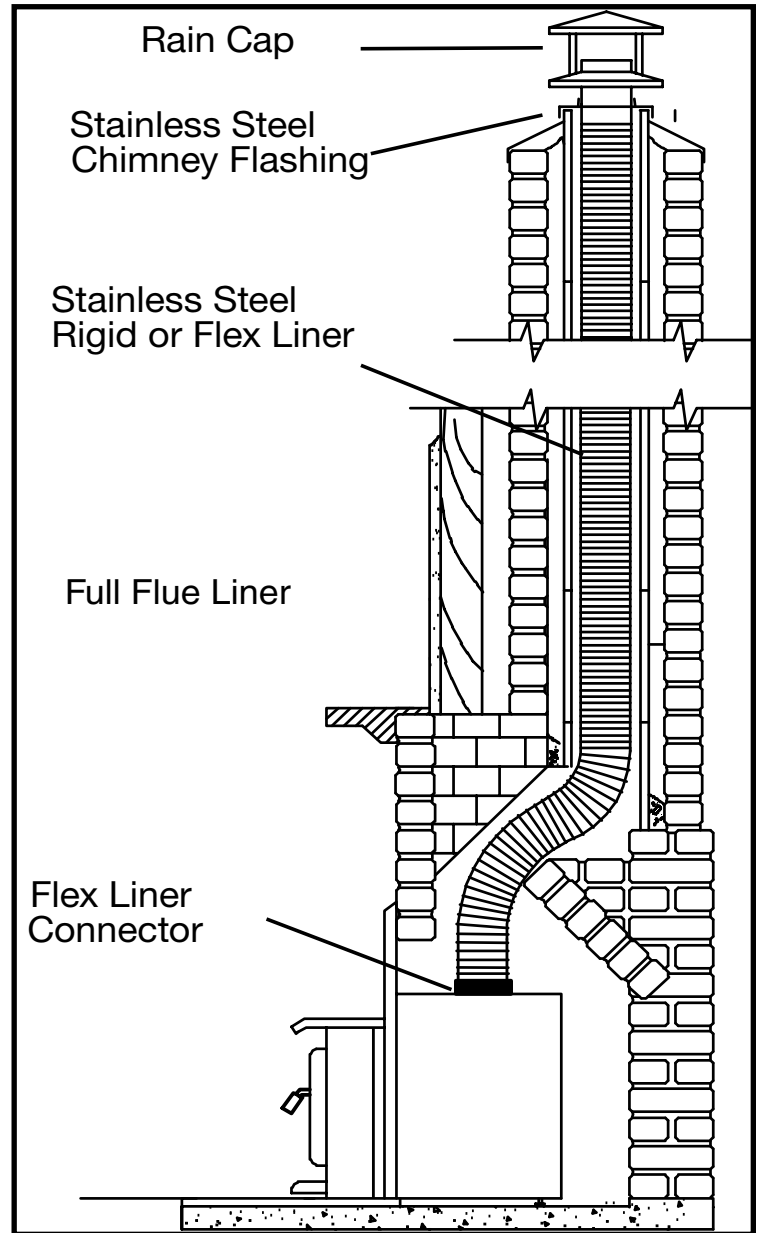


Figure 5: Super Insert LE full flue liner.

Direct Flue Connection (permitted only in the USA)

Pacific Energy highly recommends the use of a full liner as the safest installation and providing optimum performance. When connected to a full liner, the Insert is able to draft correctly and will prevent problems such as difficult start-ups and smoking out the door.

Note: A clean-out door may be required under local codes, when a direct flue connection is used. Consult local codes. A seal must be provided in the chimney throat.

1. Measure from the top of the first chimney flue liner tile to the top of the Insert. Allow extra length of liner to insert into flue tile.
2. Feed the stainless steel liner through the damper area and into the first chimney flue tile. Attach a “stove to liner” adapter to the bottom of the liner as per the liner manufacturer’s instructions. Seal around where the liner passes thru in the Chimney Throat.
3. Follow steps 3-9 on the previous page.

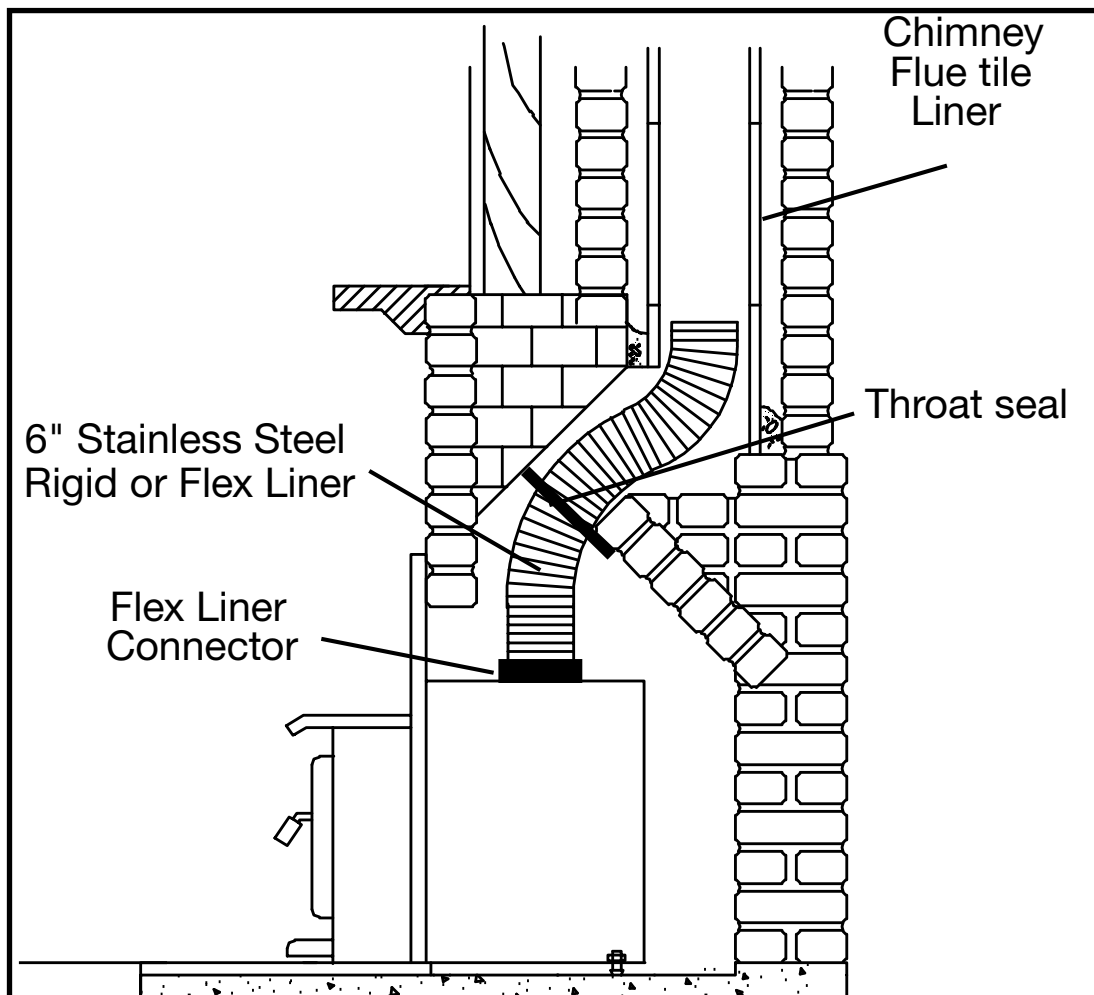


Figure 6: Super Insert LE direct flue connection.

Combustion Air

Consult local building codes regarding combustion air supply. Intake or combustion air can be supplied to the Insert in one of two ways:

1. Outside air supply: Remove the cover from ash clean out in your existing fireplace. Place a rodent screen in place of the cover. Install the Insert as described in the "Installation" section, making sure not to cover the opening of the air inlet. When installation is complete, seal surround to fireplace and anywhere else air may enter. This will ensure combustion air is drawn from outside the house and into the intake on the bottom of the appliance.
2. Room air supply: Remove the two screws securing the Decorative Cover under the ashlip. Remove the screws holding the Room Air Cover to the Base bottom and discard the this cover. Re-install the Decorative Cover and tighten screws (Figure 7). Combustion Air will be drawn from the room through the front of the unit.

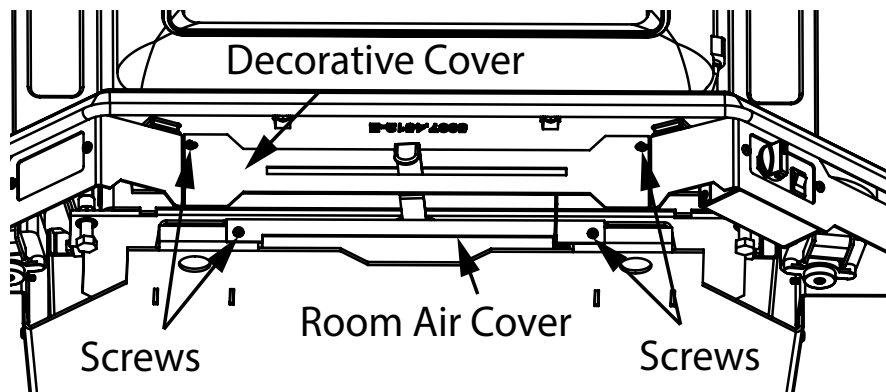


Figure 7: Super Insert LE - Room Air Supply Covers.

Electrical Supply

Circulating air blowers electrical rating; 120V, 60 Hz, 1.2 A. For your protection against shock hazard, use only a properly grounded outlet that will accept a three-pronged plug. Do not cut or remove the grounding prong. Do not route power cord under unit. Power cord must be routed to avoid contact with any hot or sharp surfaces.

Consult local codes or, in the absence of local codes, with the current CSA C22.2 Canadian Electrical Code and in the USA with the National Electrical Code, ANSI/NFPA 70 (latest edition).

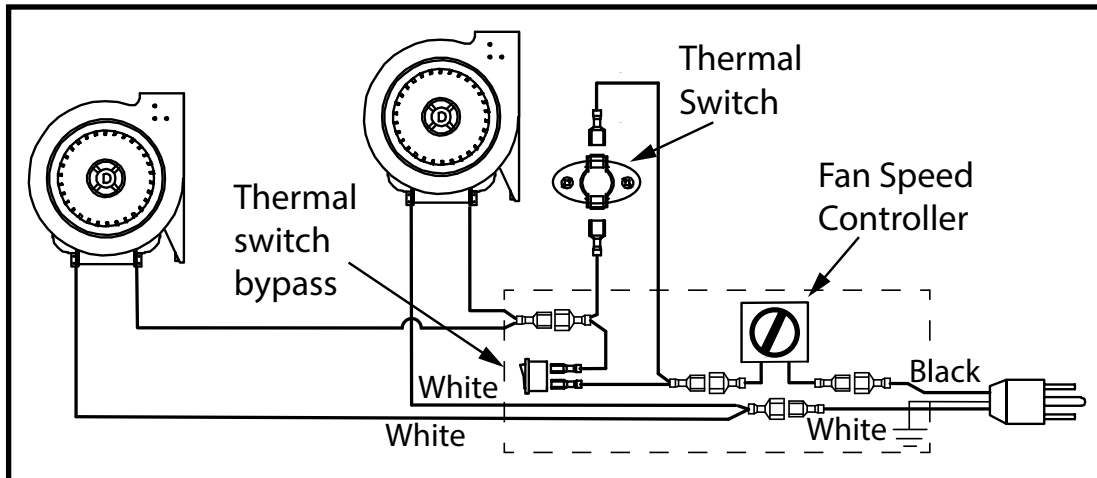


Figure 8: Wiring Diagram - Insert LE.

Fan Cover Removal

1. Remove the left and right front Fan Cover panels by removing the screw located at the top back corner (Figure 9).
2. Lift up on the panel to release the catches and pull towards you. Lift the cover up, and under the Top and then pull out from the bottom to remove it (Figure 10).

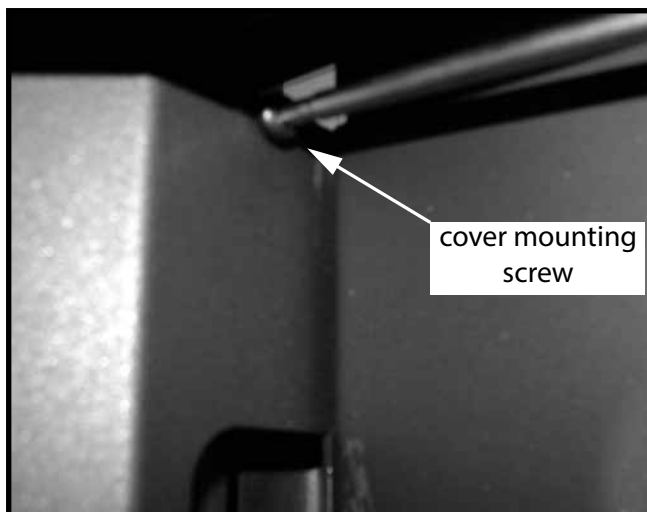


Figure 9: Front cover screw location.



Figure 10: Panel removal.

Surround Assembly and Installation

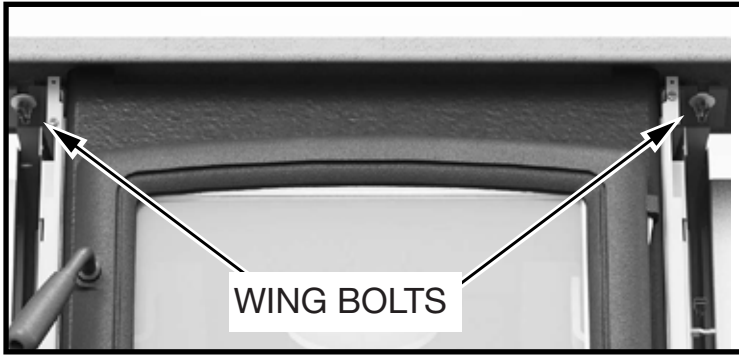


Figure 11: Wing bolts.

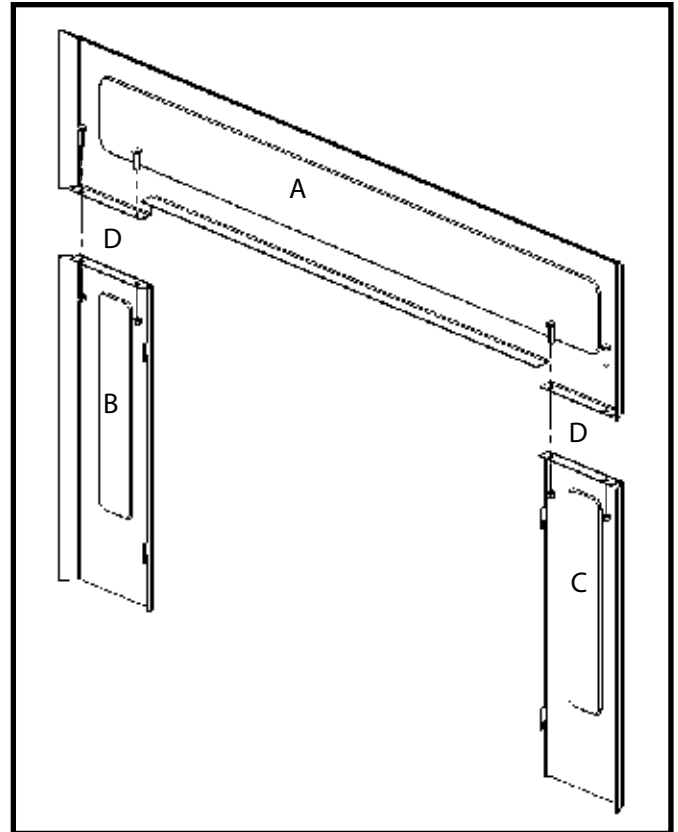


Figure 12: Surround assy.

1. Remove the Fan Covers - See "Fan Cover Removal" on page 19
2. Remove the decorative top by loosening the two wing bolts located underneath. Pull the top towards you to slide it out of its brackets (Figure 11).
3. Carefully unpack the Surround Top. Lay parts A, B and C face down on a flat, non-marring surface.
4. Fasten the panels together with 1/4" x 1/2" bolts and nuts provided through holes at points "D" (Figure 12).
5. Lift the surround assembly to the upright position and make sure the front face is flat and even at the joints and sides.
6. Carefully slide the assembled surround over the unit and behind the Ash Shelf, engage the tabs on the back, inside of the surround into the slots in surround brackets.
7. Push the entire appliance back until the surround assembly is in contact with the fireplace face.
8. Re-install the decorative top by aligning the wing bolts in the slots and pushing it back gently against the surround. Tighten the Wing Bolts.
9. Install the Fan Cover panels, the outer tabs of the covers use the same slots as the surround.

Fan Speed Controller Relocation

The fan speed controller is factory installed under the ash lip on the right hand side. If required, it can be relocated to the left side by following the instructions below. To make this as easy as possible, it is suggested that this be done prior to fitting the surround and installation into the fireplace:



Figure 13: Disconnecting fan wires.



Figure 14: Disconnecting thermal switch.

1. Remove the left and right front Fan Cover panels by removing the screw located at the top back corner. Lift up on the panel to release the catches and pull towards you. Lift the cover up under the Top and then out from the bottom to remove it (Figure 10 on page 19). Set the covers aside to prevent damage.
2. Disconnect the wires from the fans (LHS & RHS) and thermal snap switch (Figure 13 and Figure 14). Take note of where the wires are routed and secured. They must be positioned correctly to avoid damage.
3. Loosen the two bolts that secure the ash lip to the firebox (Figure 15)), carefully lift up the ash lip and remove from the firebox and unscrew the wire support tabs (Figure 16) noting how the wire are held in place.

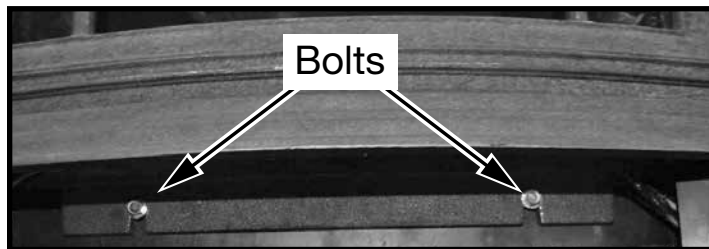


Figure 15: Bolts securing ash lip to firebox.

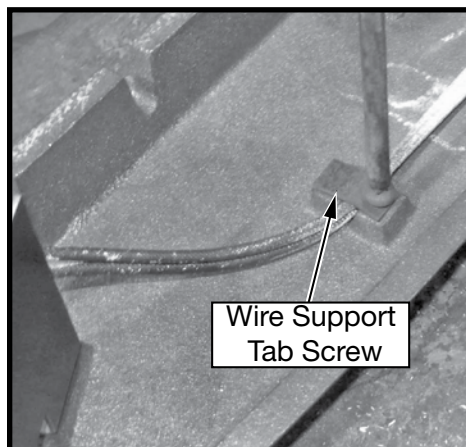


Figure 16: Wire Guides.

4. Remove the two screws securing the speed controls assembly to the ash lip (Figure 17). The cover plate on the opposite side can also be removed at this time.



Figure 17: Removing speed control assembly.



Figure 18: Reinstalling the Speed control assy.

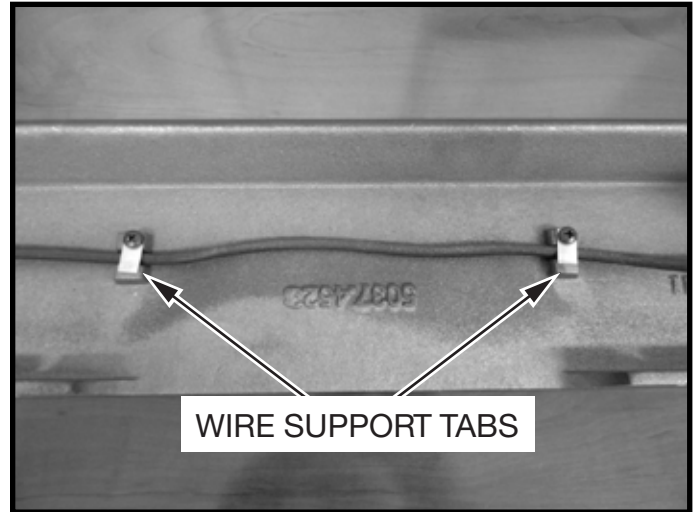


Figure 19: Wire support tabs.

5. Remove the control assembly from the right hand side of the ashlip. Flip it over with the power cord towards the edge of the stove, and reattach on the left hand side of the ashlip (Figure 18). Use the upper screw holes for best alignment.
6. Route the cable from the speed control box to far fan and re-attach the wire support tabs on the underside of the ash lip. Note the wire positions (Figure 19) and be careful not to pinch the wires.
7. Remove the Thermal Switch from right hand fan mounting bracket (Figure 20) and relocate to left hand fan mounting bracket (Figure 21).
8. Reconnect the wires to the fans (Figure 13) and thermal snap switch (Figure 14), refit ash lip, sides and top. Ensure that the power cable is correctly routed through the surround and it is not touching the firebox side. Wire placement is important to prevent damage to wires.



Figure 20: Removing thermal switch.



Figure 21: Relocating thermal switch to left side.

Ashlip Replacement

1. Remove the left and right front Fan Cover panels by removing the screw located at the top back corner. Lift up on the panel to release the catches and pull towards you. Lift the cover up under the Top and then out from the bottom to remove it (Figure 10 on page 19). Set the covers aside to prevent damage.
2. Loosen the two bolts that secure the ash lip to the firebox (Figure 22), carefully lift up the ash lip and remove from the firebox and unscrew the wire support tabs (Figure 23) noting how the wire are held in place.
3. Remove the two screws securing the speed controls assembly to the ash lip (Figure 24).

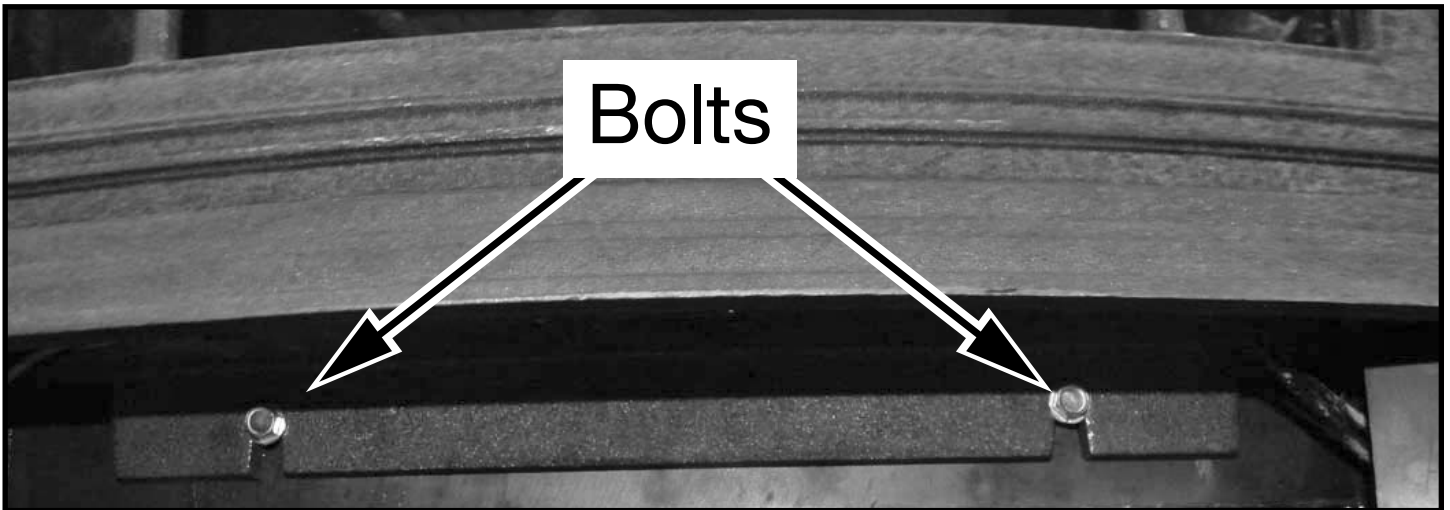


Figure 22: Bolts securing ash lip to firebox.

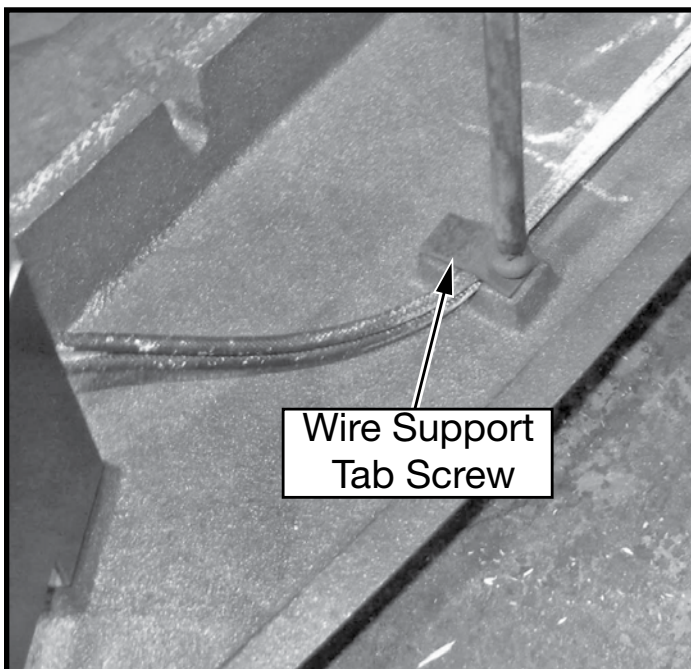


Figure 23: Wire Guides.



Figure 24: Removing speed control assy.



Figure 25: Reinstalling the Speed control assy.

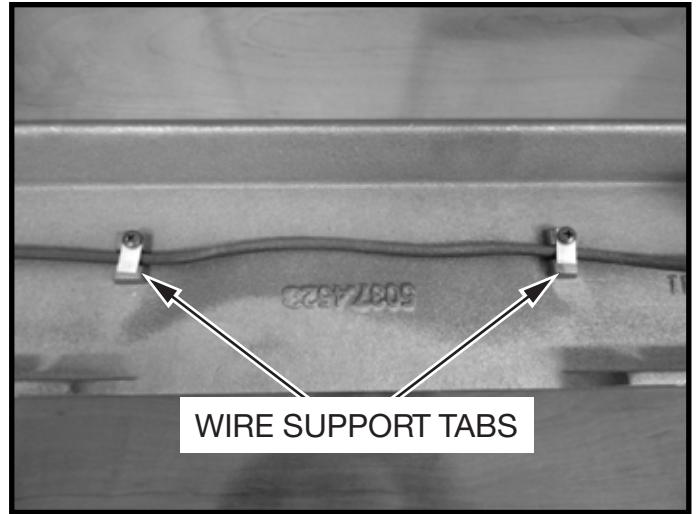


Figure 26: Wire support tabs.

4. Reinstall the Speed control assembly to the bracket in the new ashlip assembly and secure with the two screws previously removed. (Figure 25)
5. Route the cable from the speed control box in the notches under the new ashlip assembly and re-attach the wire support tabs on the underside of the ash lip. Note the wire positions (Figure 26) and be careful not pinch the wires.
6. Refit ash lip, sides and top. Ensure that the power cable is correctly routed through the surround and it is not touching the firebox side. Wire placement is important to prevent damage to wires.

Troubleshooting

Problem	Cause	Cure
Glass is Dirty	<ol style="list-style-type: none">1. Wood is wet2. Turning down air control or damper too soon3. Draft too low<ul style="list-style-type: none">- Chimney plugged or restricted.4. Door gasket leakage	<ul style="list-style-type: none">- Use dry wood- Do not turn down until<ol style="list-style-type: none">a) there is a good bed of coalsb) the wood is charred- Improper chimney height and / or diameter- Inspect and clean- Provide outside air for combustion- Replace gasket- Check latch
Excessive Creosote Buildup - See 1,2,3, above.		
Low Heat Output	<ol style="list-style-type: none">1. Wood is wet2. Fire too small3. Draft too low	<ul style="list-style-type: none">- Use dry wood- Build a larger fire- Chimney plugged or restricted, inspect and clean
Won't Burn Overnight	<ol style="list-style-type: none">1. Air control is set too high2. Not enough wood3. Draft too high4. Door gasket leaking	<ul style="list-style-type: none">- Set control lower- Unsplit wood is preferred for overnight burns- Excessive chimney height and/ or diameter- Replace door gasket.
Stove Won't Burn	<ol style="list-style-type: none">1. Combustion air supply blocked2. Draft too low	<ul style="list-style-type: none">- Check outside air supply for obstruction- Check that room air cover is removed- Chimney plugged or restricted, inspect and clean- Chimney oversized or otherwise unsuitable,- Consult Dealer

Firebrick Installation

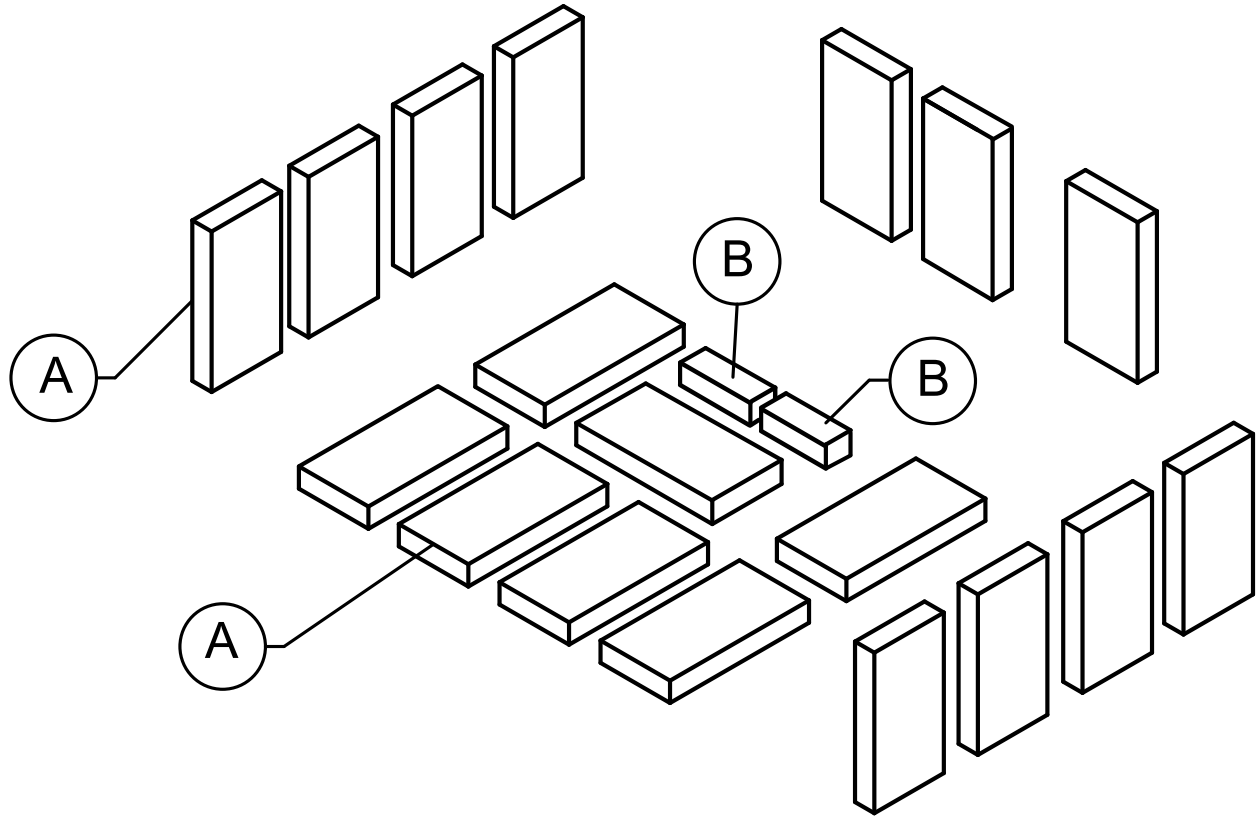


Figure 27: Super Insert LE Brick layout.

ITEM	SIZE
A 18pcs.	9" x 4 1/2" x 1 1/4" (230 mm x 115 mm x 32 mm)
B 2pc.	4 1/2" x 1 3/8" x 1 1/4" (115 mm x 35 mm x 32 mm)

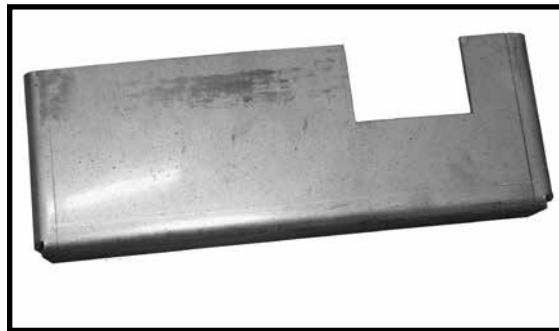


Figure 28: Bottom shield.(Part #80002585)

1. Install the Stainless Steel Bottom shield (Figure 28) over the blister in the bottom of the firebox, as shown in Figure 29
2. The floor firebricks are next. Place the "B" brick on the floor in front of the Bottom shield and the rest of the floor bricks as shown in Figure 31. Move the bricks in towards the center of the floor to eliminate any gaps that may appear between the floor bricks.

1. Place four bricks along the left hand wall. Insert the bricks and slide them forward, so that they are kept in place behind the rail tabs (Figure 32).



Figure 29: Empty firebox.



Figure 30: Cover in place.

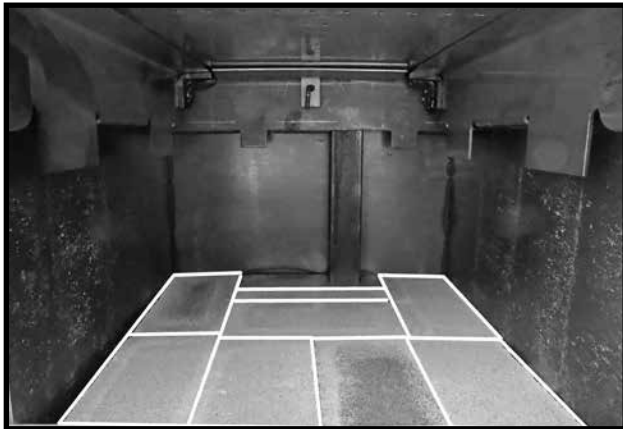


Figure 31: Floor bricks in place.

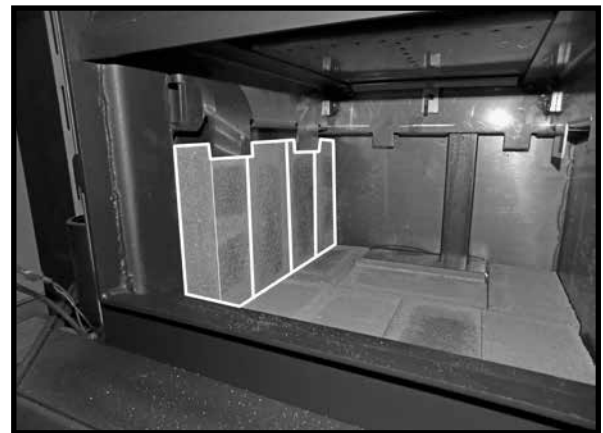


Figure 32: Left wall bricks in place.

2. Place three bricks against the rear wall. Position the bricks behind the tabs and slide them in towards the center of the stove to eliminate any gaps that may appear.
3. Place four bricks in behind the right side wall tabs (Figure 34). Again, move the bricks toward the front. Note: Even though the far bricks on both side walls will fit completely behind the rear wall end bricks, do not do this as the resulting gaps in the side wall bricks at the front will be too large.

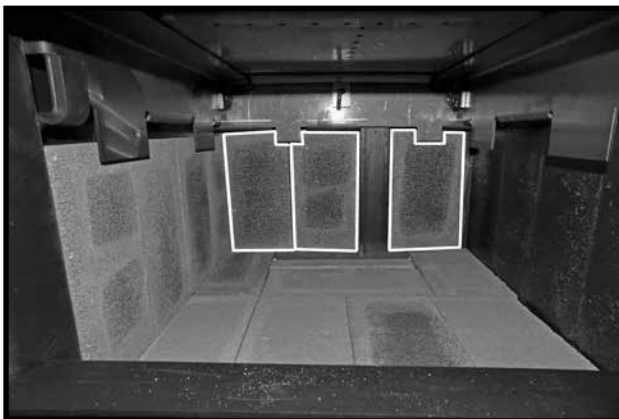


Figure 33: Rear wall bricks in place.

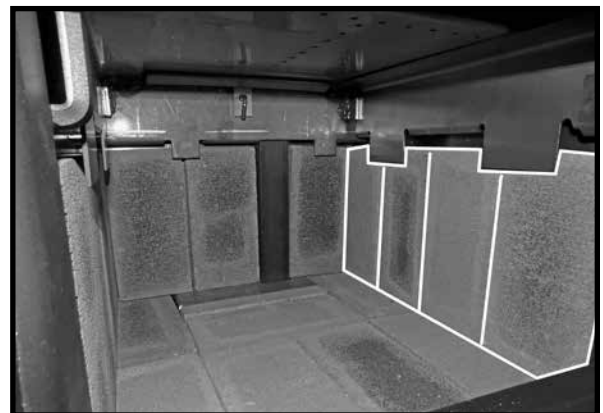
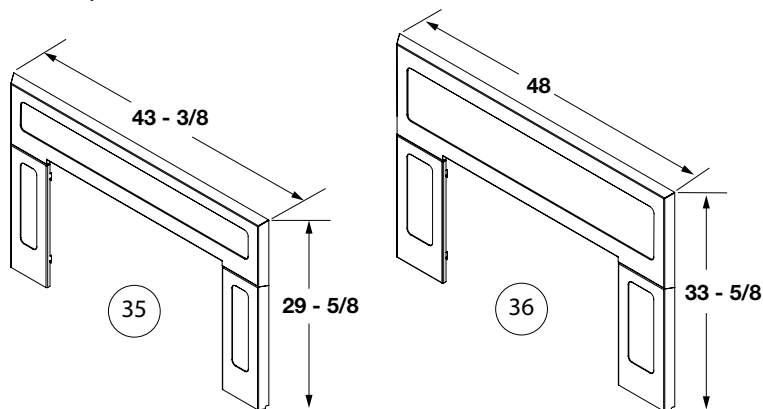


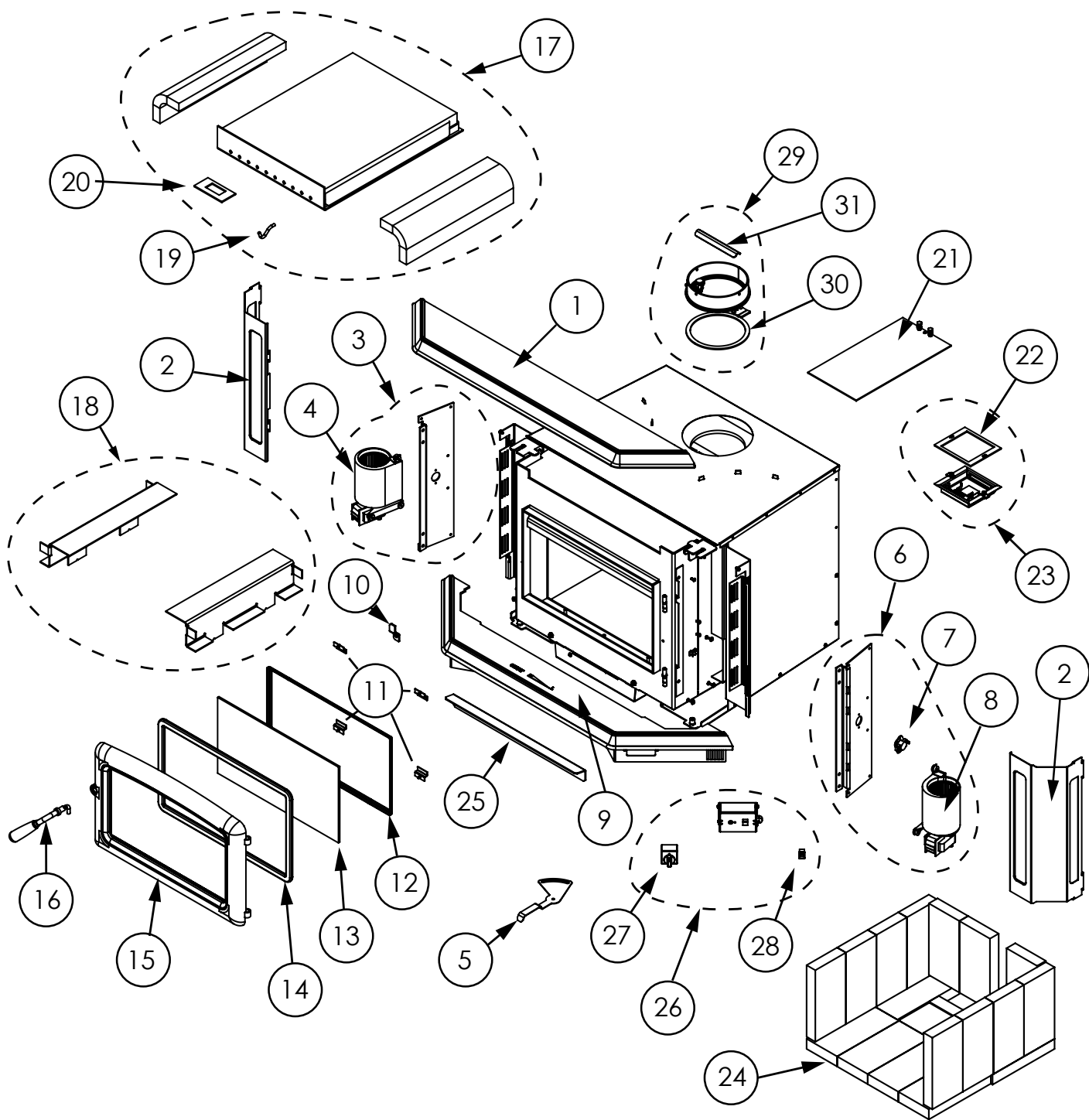
Figure 34: Right wall bricks in place.

Parts Diagram

(WHEN ORDERING, INCLUDE PART NUMBER WITH DESCRIPTION)

ITEM	DESCRIPTION	PART #
1	Cast, Top w/ hardware, Super Insert,	80002305
2	Fan Cover, Super Insert LE	80002309
3	Blower Assy, c/w brackets, Latch Side,	80002257
4	Blower Only, Latch Side	80000904
5	Air Control, Primary (c/w Spring, Washer and Cap)	80002215
6	Blower Assy, c/w brackets, Hinge Side,	80002258
7	Switch, Fan, 120-10, Air Mount	80001814
8	Blower Only, Hinge Side	80000905
9	Ash Lip, c/w Wire Covers, Cast	80002308
10	Door, Catch (c/w Bolt)	80000655
11	Clamps, Wood, Glass (4 pc.)	80000369
12	Glass Frame, Super/DR31) (2 pc.)	80000659
13	Glass w/ Gasket, Super/DR31, 8-13/16 x 15 1/4	80000157
14	Gasket, Super/DR31, Door, 7/8" x 5'	80000156
15	Door, Casting Only, DR31, Met Black	80000145
	Door, Casting Only, DR31, Nickel	80002306
	Door, Casting Only, DR31, Brushed Ni	80002307
16	Handle, Door	80000660
17	Baffle Kit, Super LE	80000376
18	Brick Rails, Super LE, (2pc)	80002169
19	Baffle, Pins, 10 pack	80000364
20	Gasket, 2" Baffle Tube, 10 pack	80000365
21	Flame Shield, Super	80000653
22	Gasket, Air Control, Secondary	80002222
23	Air Control, Secondary, (c/w Gasket)	80000841
24	Firebrick Set, Super Insert LE	80000088
25	Manifold, Boost, Super LE	80002207
26	Blower, Control Box	80000355
27	Switch, Rheostat	80000908
28	Switch, Rocker, SPST On/Off	80001513
29	Collar, Removable, c/w Hardware	80000665
30	Gasket, Removable Collar	80001983
31	Handle, Removable Collar	80000254
OPTIONS:		
35	Surround, Super Insert, Regular, Met Black	11250043
36	Surround, Super Insert, Over Sized, Met Black	11250044





All parts may be ordered from your nearest Pacific Energy dealer. Contact Pacific Energy for the location of the dealer nearest you.



Wood Products Warranty

Pacific Energy extends the following warranty coverage to the original registered purchaser of the product:

LTD Lifetime Coverage (10 years)

Limited lifetime coverage is extended to the following components (parts only) porcelain finish, glass (glass for thermal breakage only, not impact), plating, firebox and baffle.

3 Year Comprehensive

Pacific Energy will replace or repair any part found to be defective (parts and labor) for three years from the date of purchase.

This coverage includes electrical components (blowers, speed controls and thermal switches).

Pacific Energy recommends using a certified installer.

Conditions

Your stove has been designed to perform in the harshest climates in North America. You can be confident that under normal use your stove will be trouble free for many years. If your stove is prematurely deteriorating this is a significant indicator of improper usage, for example; excessive draft, heating to large an area, contaminated fuel - such as high sodium content or plastics and chemicals. Please be aware, these conditions may be reasons to void your warranty.

- For wood products - All installations must be installed according to all applicable local and national codes. It is the responsibility of the installer to ensure the unit is operating correctly at installation.
- Any part that shows in our judgment evidence of defect shall be repaired, replaced or refunded at Pacific Energy's option. The defective part may be required to be returned to Pacific Energy or an accredited agent, transportation prepaid.
- Porcelain is warranted for gloss retention. Certain colors may darken when heated and return to the original shade when cool. As a man-made finish it is subject to minor imperfections.
- Glass is warranted against thermal breakage.
- Plating is warranted against tarnishing. Gold plating may attain a deeper color with use.

Exclusions

- Limited Lifetime coverage - Lifetime coverage is limited to the repair, replacement or refund of the indicated parts only. Labor charges are not covered under the lifetime warranty.
- The following items are not included in the Lifetime Warranty: firebox rails and heat shields.
- The following parts are not warranted: firebrick, gaskets and ceramic fiber blankets.
- This warranty does not apply to any part that shows evidence of misuse, abuse, improper installation, accident, lack of maintenance, or modification.
- Pacific Energy shall in no event be liable for any special, indirect or consequential damages of any nature whatsoever which are in excess of the original purchase price of the product.
- Pacific Energy is not responsible for installation, operational or environmental conditions beyond our control.
- (The company may, at its discretion, discharge all obligations by refunding the wholesale price of the defective part.)

IF WARRANTY SERVICE IS NEEDED: 1. If you discover a problem that you believe is covered by this warranty, report it to your Pacific Energy Fireplace Products dealer, giving them proof of purchase, the purchase date, and the model name and serial number. 2. Pacific Energy Fireplace Products Ltd. has the option of either repairing or replacing the defective component. 3. If your dealer is unable to repair your appliance's defect, he may process a warranty claim through Pacific Energy Fireplace Products Ltd., including the name of the dealership where you purchased the appliance, a copy of your receipt showing the date of the appliance's purchase, and the serial number on your appliance.

REGISTER YOUR PRODUCT ONLINE

HAVE YOUR SERIAL NUMBER* AVAILABLE AND VISIT

pacificenergy.net/register

*Your serial number can be found on the product certification label or on the cover of your installation manual.



© 2023 Copyright Pacific Energy Fireplace Products LTD.
Reproduction, adaptation, or translation
without prior written permission is prohibited
except as allowed under the copyright laws.



For Technical Support please contact your dealer

**Web site: <http://www.pacificenergy.com>
2975 Allenby Rd., Duncan, B.C. V9L 6V8**