



Atmosphere® GS33 Freestanding Gas Stove

Owners &
Installation Manual



www.regency-fire.com

MODELS: GS33 Natural Gas

GS33 Propane

⚠ Warning

Fire or Explosion Hazard

Failure to follow safety warnings exactly could result in serious injury, death, or property damage.

- **Do not store or use gasoline or other flammable vapors and liquids in the vicinity of this or any other appliance.**
- **WHAT TO DO IF YOU SMELL GAS**
 - **Do not try to light any appliance.**
 - **Do not touch any electrical switch: do not use any phone in your building.**
 - **Leave the building immediately.**
 - **Immediately call your gas supplier from a neighbour's phone. Follow the gas supplier's instructions.**
 - **If you cannot reach your gas supplier, call the fire department.**

Installation and service must be performed by a qualified installer, service agency or the gas supplier.




Certified to/Certifié pour:
ANSI Z21.88-2019 (R2024)

Installer: Please complete the details on the back cover and leave this manual with the homeowner.
Homeowner: Please keep these instructions for future reference.

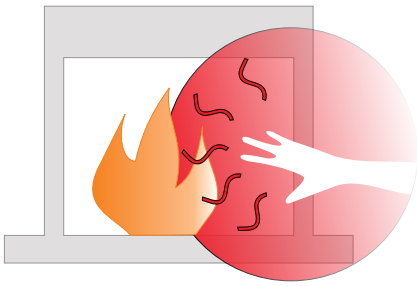
REGENCY® ATMOSPHERE Direct Vent Freestanding Gas Stove with Standing Pilot

To the New Owner:

Congratulations! You are the owner of a state-of-the-art ATMOSPHERE Direct Vent Gas Stove by FPI Fireplace Products International Ltd. The Regency® Gas Series of hand crafted appliances has been designed to provide you with all the warmth and charm of a woodstove, at the flick of a switch. The model GS33 of this series has been approved by Intertek for both safety and efficiency. As it also bears our own mark, it promises to provide you with economy, comfort and security for many trouble free years to follow. Please take a moment now to acquaint yourself with these instructions and the many features of your ATMOSPHERE Direct Vent Freestanding Gas Stove.



DANGER



**HOT GLASS WILL
CAUSE BURNS**

**DO NOT TOUCH GLASS
UNTIL COOLED**


**NEVER ALLOW CHILDREN
TO TOUCH GLASS**

A barrier designed to reduce the risk of burns from the hot viewing glass is provided with this appliance and must be installed for the protection of children and other at risk individuals.

CAUTION:
HOT WHILE IN OPERATION. DO NOT TOUCH.
SEVERE BURNS MAY RESULT. KEEP CHILDREN, CLOTHING, FURNITURE,
GASOLINE, AND ANY OTHER LIQUIDS WITH FLAMMABLE VAPOURS AWAY.


**KEEP BURNER AND CONTROL COMPARTMENT CLEAN.
SEE INSTALLATION AND OPERATING INSTRUCTIONS ACCOMPANYING
APPLIANCE.**

920-408



**NATIONAL
FIREPLACE
INSTITUTE**
CERTIFIED
www.nfi-certified.org

We recommend that our products be installed and serviced by professionals who are certified in the U.S. by the National Fireplace Institute® (NFI) or in Canada by Wood Energy Technical Training (WETT).



This appliance may only be installed in an aftermarket permanently located, manufactured (USA only) or mobile home, where not prohibited by local codes.

This appliance is only for use with the type of gas indicated on the rating plate. This appliance is not convertible for use with other gases, unless a certified kit is used.

Table of Contents

Owner's Information	4
GS33 Dimensions with Pedestal	4
GS33 Dimensions with Legs	5
Copy of Safety Label for GS33 Gas Stove	6
Decal Location	6
MA Code - CO Detector	7
Know Your Appliance - Standing Pilot	8
First Fire	9
Lighting Procedure with Standard ON/OFF Switch	9
Lighting Procedure with Optional Remote Control	9
Shutdown Procedure with ON/OFF Switch	10
Shutdown Procedure with Optional Remote Control	10
Automatic Convection Fan Operation	10
Adjusting Flame Height	10
Normal Operating Sounds of Gas Appliances	10
DC Spark Igniter Battery Install	10
Copy of the Lighting Plate Instructions	11
Optional Proflame GTMF System Operating Instructions	12
Proflame I Remote Receiver Battery Replacement	15
Installation	16
Gas Installation Checklist	16
Important Information - Before You Start	18
Important Message	19
Specifications (Standing Pilot)	19
Information For Mobile/Manufactured Homes After First Sale	19
General Safety Information	19
Installation Checklist	20
Locating Your Gas Stove	20
Clearances To Combustibles	20
GS33 Pipe Clearances	20
Top Removal	21
Front Assembly Removal	21
Front Glass Removal	21
Mobile Home	21
Mobile Home Additional Requirements	21
Base Assembly Installation	22
Venting Introduction	24
Vent Restrictor Installation (Non Power Vent)	24
Exterior Vent Terminal Locations	25
4" x 6-5/8" Rigid Pipe Cross Reference Chart	26
Rigid Pipe Venting Systems	28
Installation Precautions	29
Safety Precautions for the Installer	29
Venting Arrangements - Horizontal Termination (LP or NG)	29
Venting Arrangements Vertical Termination - Rigid Pipe System (Propane or Natural Gas)	30
Horizontal Terminations - Two 90° Elbows - Rigid Pipe (Propane & Natural Gas)	31
Horizontal Terminations - Three 90° Elbows - Rigid Pipe (Propane & Natural Gas)	31
Vertical Venting With Three 90° Elbows	32
Venting Arrangement - Vertical Terminations - Co-linear Flex System Into Masonry Fireplaces	33
Venting Arrangements with Co-linear Flex System Into a Masonry Chimney	34

DV Stove Horizontal Vent Kit (# 946-116 & #946-216)	35
DV Stove Horizontal Vent Kit Installation	35
Dura-Vent Termination Kit	37
Dura-Vent Venting Components	37
Dura-Vent Horizontal Terminations	38
Dura-Vent Vertical Terminations	39
Cathedral Ceilings	40
Converting a Class-A Metal Chimney to a Direct Vent System	41
Converting a Factory Built Metal Chimney	41
System Data	42
Gas Connection	42
High Elevation	42
Gas Pipe Pressure Testing	42
885 S.I.T. Valve Description	42
Conversion from NG to LP	43
Aeration Adjustment	45
Panel Installation	46
Oak and Birch Log Set Installation	47
Driftwood Log Set Installation	55
Wiring Diagrams	62
Optional ON/OFF Remote Control Kit / Optional Stepper Motor Install ..	63
Optional Wall Thermostat	64
Final Check	64
DC Spark Igniter Battery Install	64

Maintenance	65
Maintenance Instructions	65
General Vent Maintenance	65
Log Replacement	65
Front & Side/Glass Gasket	65
Thermodisc Replacement	66
Left & Right Side Glass Replacement	66
Front Glass Replacement	66
Fan Maintenance / Replacement	67
Valve Only Replacement	68
Pressure Relief Door Maintenance	69
Gas Appliance Maintenance	70

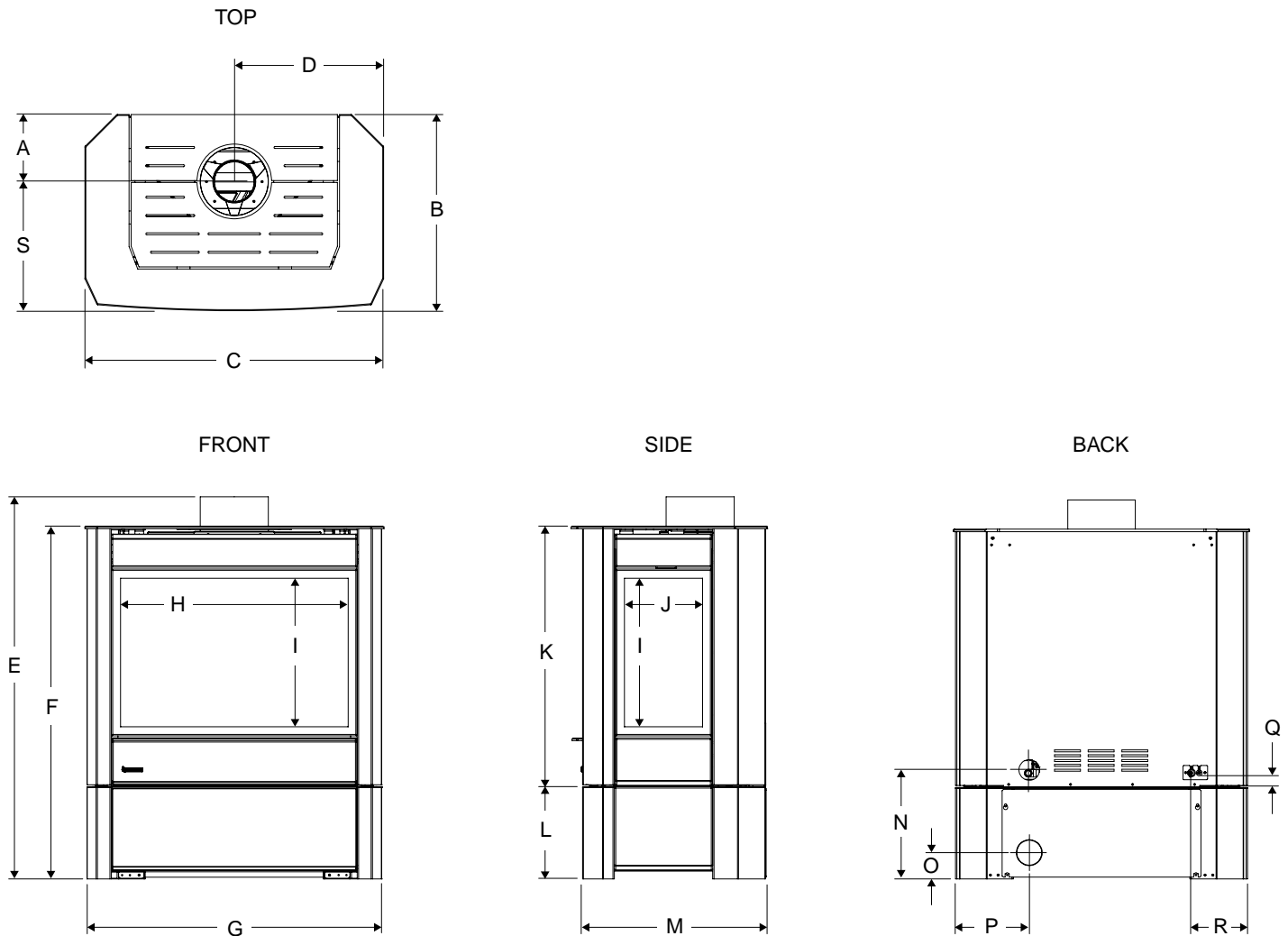
Parts List	71
Main Assembly	71
Optional Accessories	72

Warranty	74
-----------------------	-----------

Recycling	80
------------------------	-----------

Installation

GS33 With Pedestal Dimensions



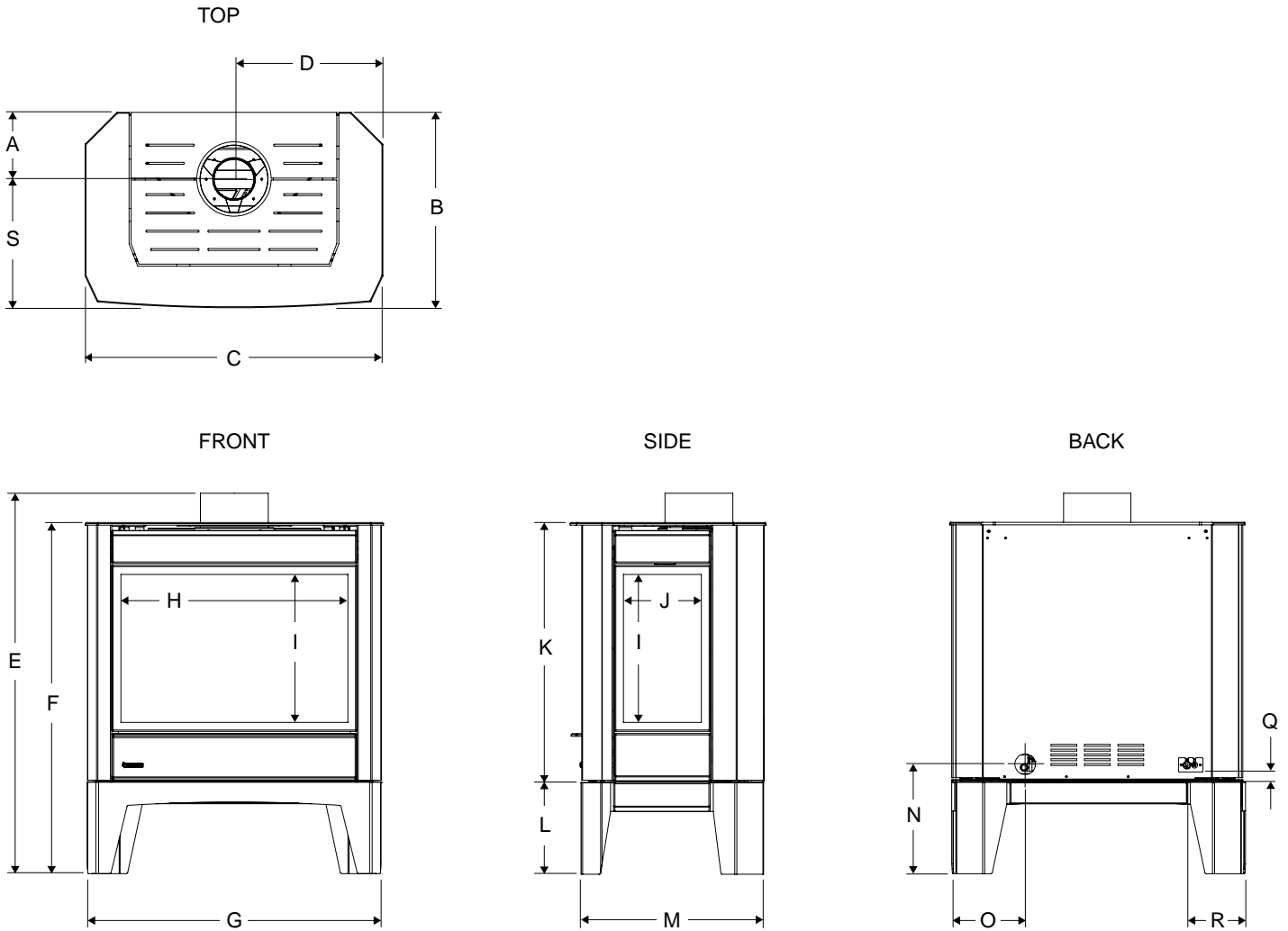
NOTE: Heights listed are with leveling feet at minimum height.
Length of 120 volt power cord is 82" (2.08 m).

Letter	Description	Dimensions (inches)	Dimensions (mm)
A	Flue Center Back	6-7/16"	163 mm
B	Overall Depth	18-13/16"	478 mm
C	Overall Width	28-11/16"	728 mm
D	Flue Center Side	14-5/16"	364 mm
E	Overall Height	36-15/16"	939 mm
F	Stove Height	34-3/16"	868 mm
G	Stove Width	28-1/4"	717 mm
H	View Area Width	21-5/8"	550 mm

Letter	Description	Dimensions (inches)	Dimensions (mm)
I	View Area Height	14-1/4"	362 mm
J	View Area Width	7-1/2"	190 mm
K	Stove Height	25"	635 mm
L	Pedestal Height	9-3/16"	233 mm
M	Stove Depth	17-5/8"	447 mm
N	Opening Center Height	11-1/16"	280.5 mm
O	Opening Center Height	3-3/16"	72.5 mm
P	Opening Center Side	7-1/8"	181 mm
Q	Power Cord Center Height	15/16"	24 mm
R	Power Cord Center Side	5-1/2"	140 mm
S	Flue Centerline Front	12-3/8"	314 mm

ALL PICTURES / DIAGRAMS SHOWN THROUGHOUT THIS MANUAL ARE FOR ILLUSTRATION PURPOSES ONLY. ACTUAL PRODUCT MAY VARY DUE TO PRODUCT ENHANCEMENTS.

GS33 With Legs Dimensions



NOTE: Heights listed are with leveling feet at minimum height.
 Length of 120 volt power cord is 82" (2.08 m).

Letter	Description	Dimensions (inches)	Dimensions (mm)
A	Flue Center Back	6-7/16"	163 mm
B	Overall Depth	18-13/16"	478 mm
C	Overall Width	28-11/16"	728 mm
D	Flue Center Side	14-5/16"	364 mm
E	Overall Height	36-15/16"	939 mm
F	Stove Height	34-3/16"	868 mm
G	Stove Width	28-1/4"	717 mm
H	View Area Width	21-5/8"	550 mm
I	View Area Height	14-1/4"	362 mm

Letter	Description	Dimensions (inches)	Dimensions (mm)
J	View Area Width	7-1/2"	190 mm
K	Stove Height	25"	635 mm
L	Pedestal Height	9-3/16"	233 mm
M	Stove Depth	17-5/8"	447 mm
N	Opening Center Height	11-1/16"	280.5 mm
O	Opening Center Height	2-9/16"	64.5 mm
P	Opening Center Side	7-1/8"	181 mm
Q	Power Cord Center Height	15/16"	24 mm
R	Power Cord Center Side	5-1/2"	140 mm
S	Flue Centerline Front	12-3/8"	314 mm




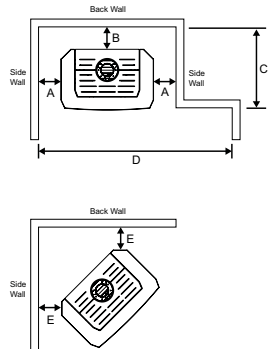

ALL PICTURES / DIAGRAMS SHOWN THROUGHOUT THIS MANUAL ARE FOR ILLUSTRATION PURPOSES ONLY. ACTUAL PRODUCT MAY VARY DUE TO PRODUCT ENHANCEMENTS.

Owner's Information

This is a copy of the label that accompanies each ATMOSPHERE Direct Vent Freestanding Gas Stove. We have printed a copy of the contents here for your review. The safety label is located on the inside of the drop down pedestal door.

NOTE: Regency® units are constantly being improved. Check the label on the unit and if there is a difference, the label on the unit is the correct one.

Copy of Safety Label for GS33 Gas Stove

Duplicate serial #		627																																															
	Listed: VENTED GAS FIREPLACE HEATER Certified to: ANSI Z21.88-2019 (R2024) MAY BE INSTALLED IN MANUFACTURED (MOBILE) HOMES AFTER FIRST SALE Refer to Intertek's Directory of Building Products for detailed information. Intertek C# 4001172	DO NOT REMOVE THIS LABEL  627 Serial No.																																															
	FACTORY EQUIPPED FOR NATURAL GAS: Model GS33-NG <table style="width: 100%; border-collapse: collapse;"> <tr> <td style="width: 30%;">Maximum supply pressure</td> <td style="width: 15%;">14"</td> <td style="width: 15%;">WC/C.E. (3.45 kPa)</td> <td style="width: 30%;"></td> </tr> <tr> <td>Minimum supply pressure</td> <td>5"</td> <td>WC/C.E. (1.25 kPa)</td> <td></td> </tr> <tr> <td>Manifold pressure High</td> <td>3.5"</td> <td>WC/C.E. (0.87 kPa)</td> <td></td> </tr> <tr> <td>Manifold pressure Low</td> <td>1.6"</td> <td>WC/C.E. (0.40 kPa)</td> <td></td> </tr> </table> Model GS33-NG: Factory Equipped for Altitude 0-4,500 ft. <hr style="border-top: 1px dashed black;"/> Model GS33-NG: Convertible for Altitude 0-4,500 ft. <table style="width: 100%; border-collapse: collapse;"> <tr> <td style="width: 30%;">Orifice size</td> <td style="width: 15%;">#32</td> <td style="width: 15%;">DMS</td> <td style="width: 30%;"></td> </tr> <tr> <td>Altitude</td> <td>0-4,500</td> <td>ft/pi (0-1370 m)</td> <td></td> </tr> <tr> <td>Maximum Input</td> <td>38,000</td> <td>Btu/h (11.1 kWh)</td> <td></td> </tr> <tr> <td>Minimum Input</td> <td>26,000</td> <td>Btu/h (7.61 kWh)</td> <td></td> </tr> </table>	Maximum supply pressure	14"	WC/C.E. (3.45 kPa)		Minimum supply pressure	5"	WC/C.E. (1.25 kPa)		Manifold pressure High	3.5"	WC/C.E. (0.87 kPa)		Manifold pressure Low	1.6"	WC/C.E. (0.40 kPa)		Orifice size	#32	DMS		Altitude	0-4,500	ft/pi (0-1370 m)		Maximum Input	38,000	Btu/h (11.1 kWh)		Minimum Input	26,000	Btu/h (7.61 kWh)		Minimum Clearances to Combustibles <table style="width: 100%; border-collapse: collapse;"> <tr> <td style="width: 10%;">A</td> <td style="width: 10%;">12"</td> <td style="width: 80%;">/305 mm</td> </tr> <tr> <td>B</td> <td>4"</td> <td>/102 mm</td> </tr> <tr> <td>C</td> <td>23"</td> <td>/585 mm</td> </tr> <tr> <td>D</td> <td>84"</td> <td>/2134 mm</td> </tr> <tr> <td>E</td> <td>4"</td> <td>/102 mm</td> </tr> </table> Min. Ceiling Height from top of unit : 36" / 914 mm 	A	12"	/305 mm	B	4"	/102 mm	C	23"	/585 mm	D	84"	/2134 mm	E	4"	/102 mm
Maximum supply pressure	14"	WC/C.E. (3.45 kPa)																																															
Minimum supply pressure	5"	WC/C.E. (1.25 kPa)																																															
Manifold pressure High	3.5"	WC/C.E. (0.87 kPa)																																															
Manifold pressure Low	1.6"	WC/C.E. (0.40 kPa)																																															
Orifice size	#32	DMS																																															
Altitude	0-4,500	ft/pi (0-1370 m)																																															
Maximum Input	38,000	Btu/h (11.1 kWh)																																															
Minimum Input	26,000	Btu/h (7.61 kWh)																																															
A	12"	/305 mm																																															
B	4"	/102 mm																																															
C	23"	/585 mm																																															
D	84"	/2134 mm																																															
E	4"	/102 mm																																															
	FACTORY EQUIPPED FOR PROPANE GAS: Model GS33-LP <table style="width: 100%; border-collapse: collapse;"> <tr> <td style="width: 30%;">Maximum supply pressure</td> <td style="width: 15%;">14"</td> <td style="width: 15%;">WC/C.E. (3.45 kPa)</td> <td style="width: 30%;"></td> </tr> <tr> <td>Minimum supply pressure</td> <td>11"</td> <td>WC/C.E. (2.74 kPa)</td> <td></td> </tr> <tr> <td>Manifold pressure High</td> <td>10"</td> <td>WC/C.E. (2.49 kPa)</td> <td></td> </tr> <tr> <td>Manifold pressure Low</td> <td>6.4"</td> <td>WC/C.E. (1.59 kPa)</td> <td></td> </tr> </table> Orifice size #50 DMS Altitude 0-4,500 ft/ (0-1372 m) Maximum Input 36,000 BTU/ (10.55 kWh) Minimum Input 29,000 BTU/ (8.50 kWh)	Maximum supply pressure	14"	WC/C.E. (3.45 kPa)		Minimum supply pressure	11"	WC/C.E. (2.74 kPa)		Manifold pressure High	10"	WC/C.E. (2.49 kPa)		Manifold pressure Low	6.4"	WC/C.E. (1.59 kPa)																																	
Maximum supply pressure	14"	WC/C.E. (3.45 kPa)																																															
Minimum supply pressure	11"	WC/C.E. (2.74 kPa)																																															
Manifold pressure High	10"	WC/C.E. (2.49 kPa)																																															
Manifold pressure Low	6.4"	WC/C.E. (1.59 kPa)																																															
ELECTRICAL SUPPLY 115V_60HZ less than 2 AMP.		FPI Fireplace Products International Ltd. Delta, BC, Canada Made in Canada																																															
This appliance must be installed in accordance with local codes, if any; if none, follow the National Fuel Gas Code, ANSI Z223.1. This appliance must be installed in accordance with the Manufactured Home Construction and Safety Standard, Title 24 CFR, Part 3280, in the United States, or when such a standard is not applicable, ANSI/NCSBCS A225.1/NFPA 501A, Manufactured Home Installations Standard or ANSI A119.2 or NFPA 501C Standard for Recreational Vehicles. This appliance is only for use with the type of gas indicated on the rating plate and may be installed in an aftermarket, permanently located, manufactured (mobile) home where not prohibited by local codes. See owner's manual for details. Fan (Part# 910-331/P). This vented gas fireplace heater is not for use with air filters. For use with glass doors certified with the appliance only. For Use Only with Barrier Part #711-072/P (Front) & 711-073/P (Sides) Follow installation instructions.																																																	
VENTED GAS FIREPLACE HEATER - NOT FOR USE WITH SOLID FUELS. CATEGORY I.																																																	
		920-914																																															

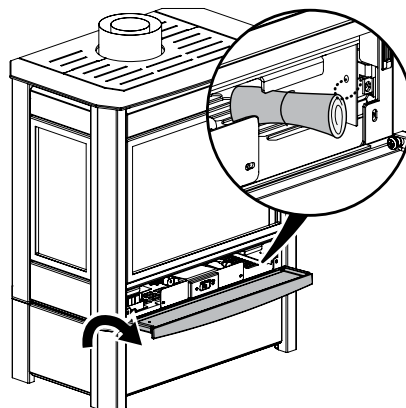
For the State of Massachusetts, installation and repair must be done by a plumber or gas fitter licensed in the Commonwealth of Massachusetts.

For the State of Massachusetts, flexible connectors shall not exceed 36 inches in length.

For the State of Massachusetts, the appliances individual manual shut-off must be a t-handle type valve.

The State of Massachusetts requires the installation of a carbon monoxide alarm in accordance with NFPA 720 and a CO alarm with battery back up in the same room where the gas appliance is installed.

Decal location



Open the front door and locate the serial decal located on the right side of the unit, rolled up (see image). The serial # will be 9 digits beginning with prefix of 627.

IMPORTANT: DO NOT REMOVE FROM THE UNIT. THIS MUST REMAIN WITH APPLIANCE AT ALL TIMES.

MA Code - CO Detector (for the State of Massachusetts only)

5.08: Modifications to NFPA-54, Chapter 10

(2) Revise 10.8.3 by adding the following additional requirements:

(a) For all side wall horizontally vented gas fueled equipment installed in every dwelling, building or structure used in whole or in part for residential purposes, including those owned or operated by the Commonwealth and where the side wall exhaust vent termination is less than seven (7) feet above finished grade in the area of the venting, including but not limited to decks and porches, the following requirements shall be satisfied:

1. **INSTALLATION OF CARBON MONOXIDE DETECTORS.** At the time of installation of the side wall horizontal vented gas fueled equipment, the installing plumber or gasfitter shall observe that a hard wired carbon monoxide detector with an alarm and battery back-up is installed on the floor level where the gas equipment is to be installed. In addition, the installing plumber or gasfitter shall observe that a battery operated or hard wired carbon monoxide detector with an alarm is installed on each additional level of the dwelling, building or structure served by the side wall horizontal vented gas fueled equipment. It shall be the responsibility of the property owner to secure the services of qualified licensed professionals for the installation of hard wired carbon monoxide detectors

a. In the event that the side wall horizontally vented gas fueled equipment is installed in a crawl space or an attic, the hard wired carbon monoxide detector with alarm and battery back-up may be installed on the next adjacent floor level.

b. In the event that the requirements of this subdivision can not be met at the time of completion of installation, the owner shall have a period of thirty (30) days to comply with the above requirements; provided, however, that during said thirty (30) day period, a battery operated carbon monoxide detector with an alarm shall be installed.

2. **APPROVED CARBON MONOXIDE DETECTORS.** Each carbon monoxide detector as required in accordance with the above provisions shall comply with NFPA 720 and be ANSI/UL 2034 listed and IAS certified.

3. **SIGNAGE.** A metal or plastic identification plate shall be permanently mounted to the exterior of the building at a minimum height of eight (8) feet above grade directly in line with the exhaust vent terminal for the horizontally vented gas fueled heating appliance or equipment. The sign shall read, in print size no less than one-half (1/2) inch in size, "**GAS VENT DIRECTLY BELOW. KEEP CLEAR OF ALL OBSTRUCTIONS**".

4. **INSPECTION.** The state or local gas inspector of the side wall horizontally vented gas fueled equipment shall not approve the installation unless, upon inspection, the inspector observes carbon monoxide detectors and signage installed in accordance with the provisions of 248 CMR 5.08(2)(a)1 through 4.

(b) **EXEMPTIONS:** The following equipment is exempt from 248 CMR 5.08(2)(a)1 through 4:

1. The equipment listed in Chapter 10 entitled "Equipment Not Required To Be Vented" in the most current edition of NFPA 54 as adopted by the Board; and

2. Product Approved side wall horizontally vented gas fueled equipment installed in a room or structure separate from the dwelling, building or structure used in whole or in part for residential purposes.

(c) **MANUFACTURER REQUIREMENTS - GAS EQUIPMENT VENTING SYSTEM PROVIDED.** When the manufacturer of Product Approved side wall horizontally vented gas equipment provides a venting system design or venting system components with the equipment, the instructions provided by the manufacturer for installation of the equipment and the venting system shall include:

1. Detailed instructions for the installation of the venting system design or the venting system components; and

2. A complete parts list for the venting system design or venting system.

(d) **MANUFACTURER REQUIREMENTS - GAS EQUIPMENT VENTING SYSTEM NOT PROVIDED.** When the manufacturer of a Product Approved side wall horizontally vented gas fueled equipment does not provide the parts for venting the flue gases, but identifies "special venting systems", the following requirements shall be satisfied by the manufacturer:

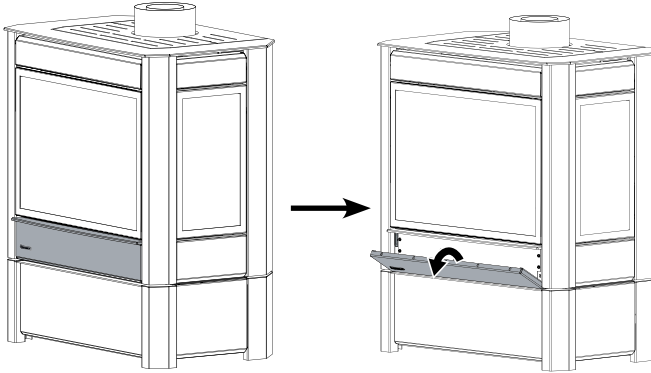
1. The referenced "special venting system" instructions shall be included with the appliance or equipment installation instructions; and

2. The "special venting systems" shall be Product Approved by the Board, and the instructions for that system shall include a parts list and detailed installation instructions.

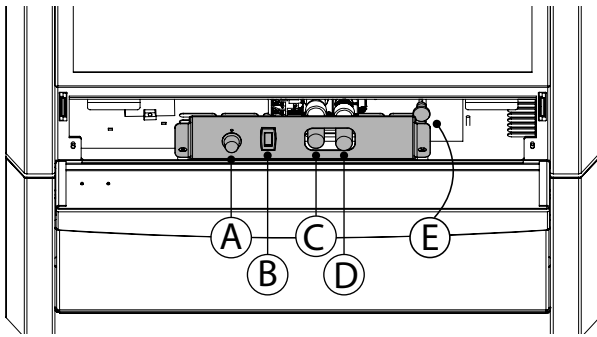
(e) A copy of all installation instructions for all Product Approved side wall horizontally vented gas fueled equipment, all venting instructions, all parts lists for venting instructions, and/or all venting design instructions shall remain with the appliance or equipment at the completion of the installation.

Know Your Appliance - Standing Pilot

1. Pull the front door downwards as shown in the illustrations (1 → 2). This will expose the control panel area for adjustments.



2. With the door opened, you will have access to the control panel with Key components include:



Letter	Description	
A	Fan Control	Controls speed of the fan from high to low. May also turn fan OFF using the control knob
B	ON/OFF Thermostat Switch	ON/OFF Switch to turn appliance ON or OFF. Also has an optional thermostat option if thermostat is wired as per the wiring diagram. If optional thermostat is installed the switch is left in thermostat position
C	Heat	High/low knob which adjusts flame height up or down manually by turning knob. Note If a remote control and stepper motor are purchased, the flame height hi/low knob shown is removed and replaced by the stepper motor and is now controlled by the remote and cannot be adjusted manually.
D	Pilot	Pilot/ON/OFF control. lights pilot when moved to pilot position and once sustained knob is moved to ON position. To extinguish pilot move to OFF position. See lighting instructions for specific details on lighting pilot
E	Aeration Control	WARNING: DO NOT ADJUST. FOR INITIAL INSTALLATION ONLY. USED BY THE INSTALLER ONLY. CARBON/SOOTING WILL BE PRODUCED IF NOT SET CORRECTLY.

First Fire

The first fire in your stove is part of the paint curing process. To ensure that the paint is properly cured, it is recommended that you burn your fireplace for at least four (4) hours the first time you use it with the fan on. When first operated, the unit will release an odour caused by the curing of the paint, the burning off of any oils remaining from manufacturing. Smoke detectors in the house may go off at this time. Open a few windows to ventilate the room for a couple of hours.

The glass panel may require cleaning after the unit has cooled down.

DO NOT ATTEMPT TO CLEAN THE GLASS WHILE IT IS HOT.

Note: When the glass is cold and the appliance is lit, it may cause condensation and fog the glass. This condensation is normal and will disappear in a few minutes as the glass heats up.

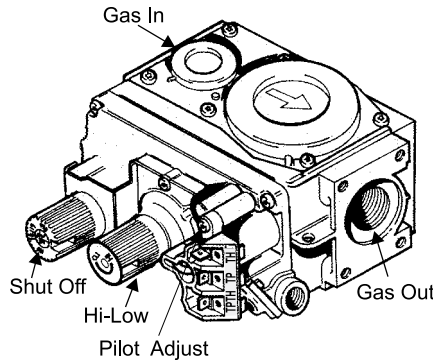
During the first few fires, a white film may develop on the glass front as part of the curing process. The glass should be cleaned or the film will bake on and become very difficult to remove. Use a non-abrasive cleaner and NEVER clean the glass while it is hot.

DO NOT BURN THE APPLIANCE WITHOUT THE GLASS FRONT IN PLACE.

Operating Instructions

1. Read and understand these instructions before operating this appliance.
2. Check to see that all wiring is correct and enclosed to prevent possible shock.
3. Check to ensure there are no gas leaks.
4. Make sure the glass in the door frame is properly positioned. Never operate the appliance with the glass removed.
5. Verify that the venting and cap are unobstructed.
6. Verify log placement. If the pilot cannot be seen when lighting the unit, the logs have been incorrectly positioned.
7. The unit should never be turned off, and on again without a minimum of a 60 second wait.

Lighting Procedure with Standard ON/OFF Switch



IMPORTANT
To ignite or reignite the pilot, the door to the firebox must be opened.

Only when the pilot holds without pressure to the control knob should the door to the firebox be closed. The unit *must never* be operated with the glass or door open.

NOTE: For all propane units and units equipped with electric spark boxes, see "Copy of Lighting Plate Instructions" section for more details.

IMPORTANT: Gas on/off knob cannot be turned from "PILOT" to "OFF" unless it is partially depressed.

- 1) Turn stove OFF using the Burner "ON/OFF" switch remote or thermostat.
- 2) Turn gas control knob so indicator points to "OFF" position and allow 5 minutes for any gas in the combustion chamber to escape.
- 3) Turn gas control knob counterclockwise so indicator points to the "PILOT" position. Depress the gas control knob fully until the pilot lights. After approximately one minute, release the gas control knob. The pilot flame should continue to burn. If the pilot does not remain lit, repeat operation allowing a longer period before releasing gas control knob.
- 4) When the pilot stays lit, turn the gas knob further counterclockwise to the "ON" position.
- 5) Use the ON/OFF switch, thermostat or remote control to turn on the unit.
- 6) Rotate the flame height regulator to adjust the flame height higher or lower.

Lighting Procedure with Optional Remote Control

IMPORTANT
Prior to igniting or re igniting the pilot, remove the glass door.

Important: If the pilot does not hold, turn pilot knob to "OFF" position. Wait 5 minutes to clear gas. If you smell gas - STOP! Follow the safety information above. If you don't smell gas, repeat Steps 1-6.

1. Push in gas control knob slightly and turn to "PILOT" position.
2. Push in control knob all the way and hold in until the pilot lights up. Continue to hold the control knob in until a faint buzzer sound can be heard for 4 seconds informing the operator that the knob can now be released. Release knob.
3. Push in gas control knob slightly and turn to "ON" position.
4. Ensure the receiver is in the remote position.
Set Switch to Remote



Diagram 1

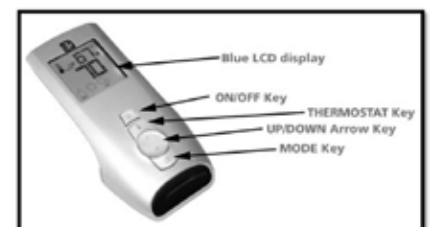
5. Press and release the ON/OFF button on the remote handheld transmitter. An audible beep should be heard from the receiver.



ON/OFF Button

Diagram 2

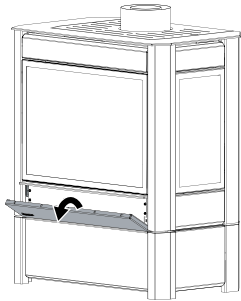
Remote shown in Manual Mode on Hi



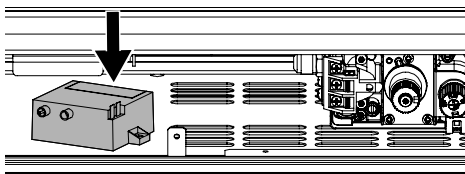
6. The unit will turn on.

DC Spark Igniter Battery Install

1. Open the front door to access the DC Sparker.



2. Locate the DC spark box on the left side of the unit.
Twist the box to free from Velcro for better handling.



3. Open the battery compartment door on the DC spark box.
4. Install the 1 AA battery into the DC spark box.



5. Reverse steps 4 to 1.

Shutdown Procedure with ON/OFF Switch

1. Turn the main gas control clockwise to the "OFF" position to turn off the pilot (push knob in slightly).
2. Turn off all electric power to appliance if service is to be performed.

Shutdown Procedure with Optional Remote Control

1. Press "OFF" on the remote or slide receiver switch from remote to "OFF".
2. Turn the gas control knob to the "OFF" position to turn off the pilot.

Pilot may be shut off during prolonged non use periods to conserve fuel.

Automatic Convection Fan Operation

The fan operates automatically - turn the knob at the appliance to adjust to the desired speed. The fan will turn on as the stove comes up to operating temperature. After the unit has been turned off and the unit cooled to below a useful heat output range the fan will shut off automatically.

Adjusting Flame Height

Your heater has an adjustable flame to tailor the look and heat output to your specific needs.

It is adjusted by turning the flame adjustment dial on the gas control valve.

Turn clockwise to adjust the flame higher, counterclockwise for a lower flame.

If an optional remote control is used along with an optional stepper motor, see remote control instructions for full details on how to increase or decrease flame height on this appliance.



Normal Operating Sounds of Gas Appliances

It is possible that you will hear some sounds from your gas appliance. This is perfectly normal due to the fact that there are various gauges and types of steel used within your appliance. Listed below are some examples. All are **normal operating sounds** and should not be considered as defects in your appliance.

Blower:

Regency® gas appliances use high tech blowers to push heated air farther into the room. It is not unusual for the fan to make a "whirring" sound when ON. This sound will increase or decrease in volume depending on the speed setting of your fan speed control.

Burner Tray:

The burner tray is positioned directly under the burner tube(s) and logs and is made of a different gauge material from the rest of the firebox and body. Therefore, the varying thicknesses of steel will expand and contract at slightly different rates which can cause "ticking" and "cracking" sounds. You should also be aware that as there are temperature changes within the unit these sounds will likely re-occur. Again, this is normal for steel fireboxes.

Blower Thermodisc:

When this thermally activated switch turns ON it will create a small "clicking" sound. This is the switch contacts closing and is normal.

Pilot Flame:

While the pilot flame is on it can make a very slight "whisper" sound.

Gas Control Valve:

As the gas control valve turns ON and OFF, a dull clicking sound may be audible, this is normal operation of a gas regulator or valve.

Unit Body/Firebox:

Different types and thickness's of steel will expand and contract at different rates resulting in some "cracking" and "ticking" sounds will be heard throughout the cycling process.

Copy Of Lighting Plate Instructions

**FOR YOUR SAFETY READ BEFORE LIGHTING
POUR VOTRE SÉCURITÉ – À LIRE AVANT LA MISE EN MARCHÉ**

WARNING: If you do not follow these instructions exactly, a fire or explosion may result causing property damage, personal injury or loss of life. Improper installation, adjustment, alteration, service or maintenance can cause injury or property damage. Refer to the owner's information manual provided with this appliance. For assistance or additional information consult a qualified installer, service agency or gas supplier.

AVERTISSEMENT. Quiconque ne respecte pas à la lettre les instructions dans la présente notice risque de déclencher un incendie ou une explosion entraînant des dommages, des blessures ou la mort. Une installation, d'ajustement, de modification, de service ou d'entretien peut provoquer des blessures ou des dommages matériels. Reportez-vous au manuel du propriétaire fourni avec cet appareil. Pour obtenir de l'aide ou des informations supplémentaires consulter un installateur qualifié, une agence de service ou fournisseur de gaz.


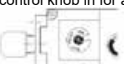
- A) This appliance has a pilot that must be lighted by hand. When lighting the pilot, follow these instructions exactly.
 B) **BEFORE LIGHTING** smell all around the appliance area for gas. Be sure to smell next to the floor because some gas is heavier than air and will settle on the floor.
WHAT TO DO IF YOU SMELL GAS
 - Do not try to light any appliance.
 - Do not touch any electric switch, do not use any phone in your building.
 - Leave the building immediately.
 - Immediately call your gas supplier from a neighbours phone. Follow the gas supplier's instructions.
 - If you cannot reach your gas supplier, call the fire department.
 C) Use only your hand to push in or turn the gas control knob. Never use tools. If the knob will not push in or turn by hand, do not try to repair it; call a qualified service technician. Force or attempted repair may result in a fire or explosion.
 D) Do not use this appliance if any part has been under water. Immediately call a qualified service technician to inspect the appliance and replace any part of the control system and any gas control which has been underwater.
 A) Cet appareil est muni d'une veilleuse qui doit être allumée manuellement. Respectez les instructions ci-dessous à la lettre.
 B) **AVANT LA MISE EN MARCHÉ**, reniflez tout autour de l'appareil pour déceler une odeur de gaz. Reniflez au niveau du plancher, car certains gaz sont plus lourds que l'air et peuvent s'accumuler au niveau du sol.


- QUE FAIRE SI VOUS SENTEZ UNE ODEUR DE GAZ :**
 • Ne tentez pas d'allumer l'appareil
 • Ne touchez à aucun interrupteur; n'utilisez pas de téléphones se trouvant dans le bâtiment.
 • Sortez du bâtiment immédiatement
 • Appelez immédiatement votre fournisseur de gaz depuis un téléphone extérieur. Suivez les instructions du fournisseur.
 • Si vous ne pouvez pas rejoindre le fournisseur, appelez le service incendie.
 C) Ne poussez ni ne tournez la manette d'admission du gaz qu'à la main. Ne jamais employer d'outil à cette fin. Si la manette reste coincée, ne tentez pas de la réparer; appelez un technicien qualifié. Quiconque tente de forcer la manette ou de la réparer peut provoquer une explosion ou un incendie.
 D) N'utilisez pas cet appareil s'il a été plongé dans l'eau, même partiellement. Faites inspecter l'appareil par un technicien qualifié et remplacez tout élément du système de contrôle ou de commande qui a été plongé dans l'eau.

CAUTION: Hot while in operation. Do not touch. Severe burns may result. Due to high surface temperatures keep children, clothing and furniture, gasoline and other liquids having flammable vapors away. Keep burner and control compartment clean. See installation and operating instructions accompanying appliance.

ATTENTION : Surfaces chaudes lorsque l'appareil est en marche. Ne pas toucher. Risque de brûlures graves. En raison des températures élevées, les enfants, les vêtements et le mobilier, le carburant et tout autre liquide aux vapeurs inflammables doivent être tenus éloignés de l'appareil. Nettoyer régulièrement le brûleur et le compartiment des commandes. Voir les consignes d'installation et d'utilisation fournies avec l'appareil.

LIGHTING INSTRUCTIONS / CONSIGNES D'ALLUMAGE

- 1) **STOP! Read the safety information above on this label.**
 This appliance is equipped with an on-demand pilot that shuts off after seven days.
 2) Push in gas control knob slightly and turn clockwise → to "OFF". Knob cannot be turned from "PILOT" to "OFF" unless knob is pushed in slightly. Do not force.

 3) Wait five (5) minutes to clear out any gas. If you then smell gas STOP! Follow step "B" in the Safety Information above on this label. If you don't smell gas, go to the next step.
 4) Push in gas control knob slightly and turn counterclockwise → to "PILOT" position.
 5) Push in control knob all the way and hold in until the pilot lights. Continue to hold the control knob in for about 30 seconds after the pilot lights. Release the knob.
 6) Push in gas control knob slightly and turn counterclockwise → to "ON" position.
 7) Turn on the flame switch.


- 1) **STOP ! Lire les instructions de sécurité sur la portion supérieure de cette étiquette.**
 Cet appareil est équipé d'une veilleuse sur demande qui s'éteint après sept jours.
 2) Enfoncer légèrement le bouton de commande de gaz et tournez dans le sens horaire → en position OFF. Le bouton ne peut pas être tourné du PILOT à OFF à moins que le bouton soit enfoncé légèrement. Ne forcez pas.
 3) Attendre cinq (5) minutes pour laisser échapper tout le gaz. Si vous sentez une odeur de gaz, ARRÊTEZ! Passez à l'étape "B" des instructions de sécurité sur la portion supérieure de cette étiquette. S'il n'y a pas d'odeur de gaz, passez à l'étape suivante.
 4) Enfoncer légèrement le bouton de commande de gaz et tournez dans le sens antihoraire → en position PILOT.
 5) Pousser le bouton de commande de gaz à fond et le maintenir enfoncé jusqu'à ce que la veilleuse s'allume. Maintenir le bouton de commande de gaz enfoncé pendant environ 30 secondes après l'allumage de la veilleuse. Relâcher le bouton de commande de gaz.
 6) Enfoncer légèrement le bouton de commande de gaz et tourner dans le sens antihoraire → en position 'ON'.
 7) Actionner l'interrupteur de flamme.


TO TURN OFF GAS TO APPLIANCE / POUR COUPER LE GAZ AU NIVEAU DE L'APPAREIL

- | | |
|--|--|
| 1) Turn off the flame switch. | 1) Fermer l'interrupteur de flamme. |
| 2) Push in the gas control knob slightly and turn clockwise → to "OFF". Do not force. | 2) Enfoncer légèrement le bouton de commande de gaz et tournez dans le sens horaire → en position OFF. Ne pas forcer. |
| 3) Turn off all electric power to the appliance if service is to be performed. You may shut off the pilot during prolonged non use periods to conserve fuel. | 3) Avant d'effectuer des opérations d'entretien, couper l'alimentation électrique de l'appareil. Pour économiser le carburant, vous pouvez éteindre la veilleuse lorsque l'appareil reste longtemps inutilisé. |

DO NOT REMOVE THIS INSTRUCTION PLATE

NE PAS ENLEVER CETTE ÉTIQUETTE D'INSTRUCTIONS

920-438

Optional Proflame GTMF System Operating Instructions

System Description

The Proflame Remote Control System consists of three elements:

1. Proflame Transmitter.
2. Proflame Receiver and a wiring harness to connect the Receiver to the gas valve, stepper motor and Fan Control Module.
3. Proflame Fan Control Module (FCM).

Transmitter (Remote Control with LCD Display)

The Proflame Transmitter uses a streamline design with a simple button layout and informative LCD display (Fig. 1).

The Transmitter is powered by 3 AAA type batteries.

A Mode Key is provided to Index between the features and a Thermostat Key is used to turn on/off or index through Thermostat functions (Fig. 1 & 2).

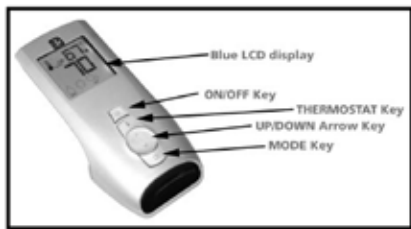


Figure 1 - Proflame Transmitter

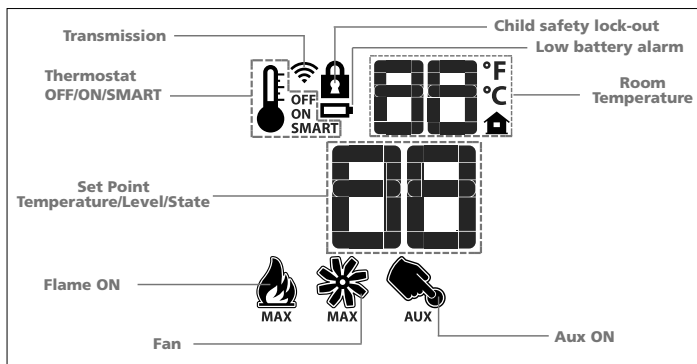


Figure 2 - Transmitter LCD Display

Operating Procedure

Pairing the Remote Control to Remote Receiver/Battery Holder (if required)

Install the 4 AA batteries into the receiver battery bay. Note the polarity of the battery and insert into the battery bay as indicated on the Battery cover (+/-). Place the 3 position slider switch in the "Remote" position. (fig. 3) Using the end of a paper clip, or other similar object, insert the end of the paper clip into the hole marked "PRG" on the Receiver front cover (fig 3). The Receiver will "beep" three (3) times to indicate that it is ready to synchronize with a Transmitter. Install the 3 AAA type batteries in the Transmitter battery bay, located on the base of the Transmitter. With the batteries already installed in the Transmitter, push the On button. The Receiver will "beep" four times to indicate the Transmitter's command is accepted and sets to the particular code of that Transmitter. The system is now initialized.

Note: Only use regular alkaline batteries. Do not use rechargeable or lithium batteries.

Temperature Indication Display

With the system in the "OFF" position, press the Thermostat Key and the Mode Key at the same time. Look at the LCD screen on the Transmitter to verify that a C or F is visible to the right of the Room Temperature display. (Fig. 3)

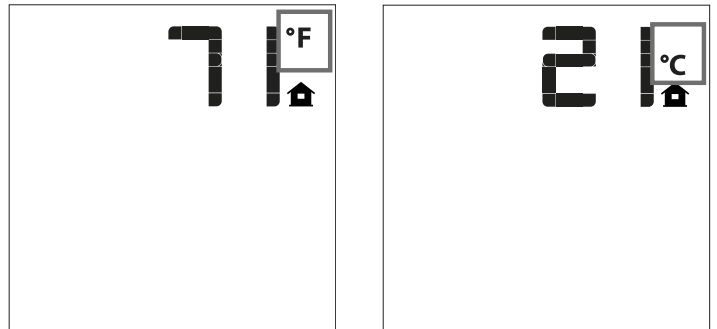


Figure 3 - Remote Control Display in Fahrenheit and Celsius

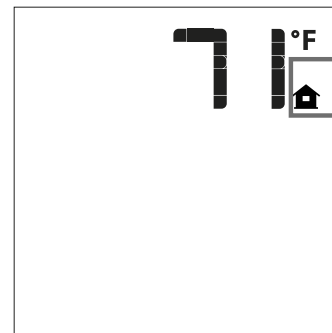


Figure 4 - Remote Control Display

Turn on the Appliance

Press the ON/OFF Key on the Transmitter. The Transmitter display will show all active Icons on the screen. At the same time the Receiver connects the thermopile to the gas valve millivolt coil and the appliance main burner turns on. A single "beep" from the Receiver will confirm reception of the command.

Turn off the Appliance

Press the ON/OFF Key on the Transmitter. The Transmitter LCD display will only show the room temperature and Icon (Fig. 7). At the same time the Receiver disconnects the thermopile from the gas valve millivolt coil and the appliance burner turns off. A single "beep" from the Receiver confirms reception of the command.

Remote Flame Control

The Proflame GTMF has six (6) flame levels. With the system on, and the flame level at the maximum in the appliance, pressing the Down Arrow Key once will reduce the flame height by one step until the flame is turned off. The Up Arrow Key will increase the flame height each time it is pressed. If the Up Arrow Key is pressed while the system is on but the flame is off, the flame will come on in the high position. A single "beep" will confirm reception of the command.

Room Thermostat (Transmitter Operation)

The Remote Control can operate as a room thermostat. The thermostat can be set to a desired temperature to control the comfort level in a room. To activate this function, press the Thermostat Key (Fig. 1). The LCD display on the Transmitter will change to show that the room thermostat is "ON" and the set temperature is now displayed (Fig. 5). To adjust the set temperature, press the Up or Down Arrow Keys until the desired set temperature is displayed on the LCD screen of the Transmitter.

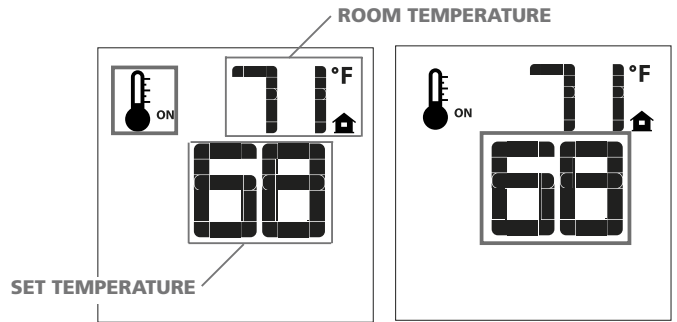
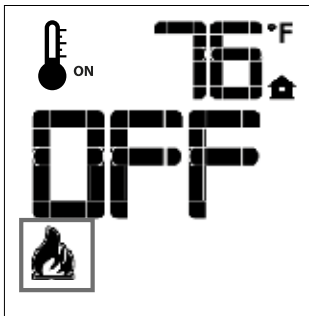


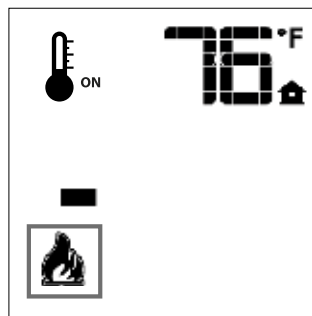
Figure 5

Smart Thermostat (Transmitter Operation)

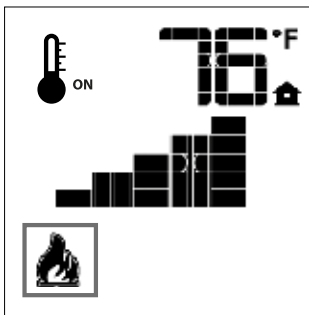
The Smart Thermostat function adjusts the flame height in accordance to the difference between the set point temperature and the actual room temperatures. As the room temperature gets closer to the set point the Smart Function will modulate the flame down. To activate this function, press the Thermostat Key (Fig. 1) until the word "SMART" appears to the right of the temperature bulb graphic (Fig. 6). To adjust the set temperature, press the Up or Down Arrow Keys until the desired set temperature is displayed on the LCD screen of the Transmitter (Fig. 7).



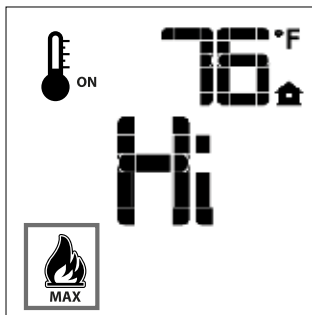
Flame Off



Flame Level 1



Flame level 5



Flame Level Maximum

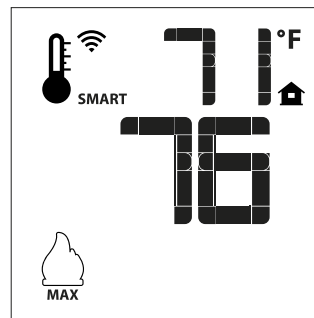


Figure 6 - Smart Flame Function

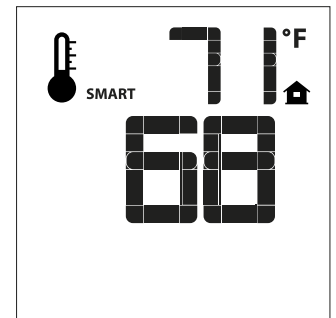


Figure 7

Fan Speed Control

If the appliance is equipped with a hot air circulating fan, the speed of the fan can be controlled by the Proflame system. The fan speed can be adjusted through six (6) speeds. To activate this function use the Mode Key (fig.1) to index to the fan control icon (Fig. 8). Use the Up/Down Arrow Keys (Fig.1) to turn on, off or adjust the fan speed (Fig. 9). A single "beep" will confirm reception of the command.



Figure 8

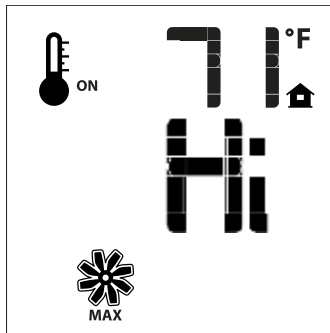


Figure 9

Remote Actuated 120V Auxiliary Outlet

The auxiliary function controls the AUX power outlet on the Fan Control Module. To activate this function use the Mode Key (fig. 1) to index to the AUX icon (fig. 10 & 11). Pressing the Up Arrow Key will activate the outlet. Pressing the Down Arrow Key will turn the outlet off. A single "beep" will confirm the reception of the command.



Figure 10

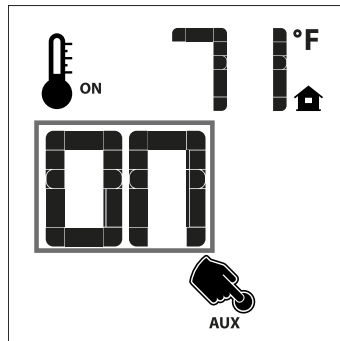


Figure 11

Key Lock

This function will lock the keys to avoid unsupervised operation.

To activate this function, press the MODE and UP Keys at the same time (fig. 18). To de-activate this function, press the MODE and UP Keys at the same time.

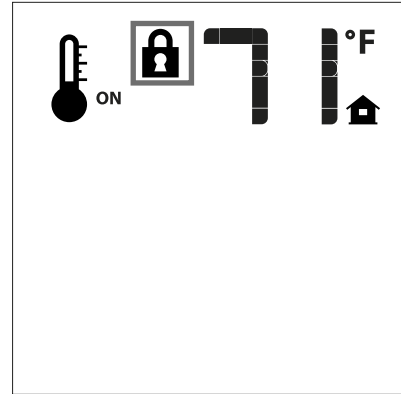


Figure 12

Low Battery Power Detection

Transmitter

The life span of the remote control batteries depends on various factors: quality of the batteries used, the number of ignitions of the appliance, the number of changes to the room thermostat set point, etc.

When the Transmitter batteries are low, a Battery Icon will appear on the LCD display of the Transmitter (Fig. 13) before all battery power is lost. When the batteries are replaced this Icon will disappear.

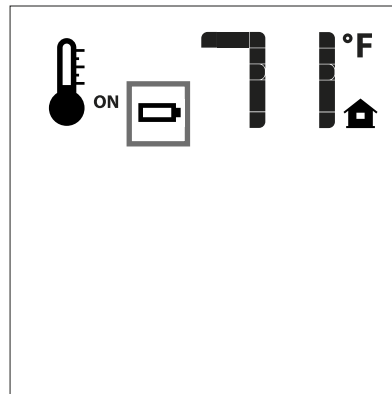


Figure 13

Receiver

The life span of the Receiver batteries depends on various factors: quality of Fig. 19 the batteries used, the number of ignitions of the appliance, the number of changes to the room thermostat set point, etc.

When the Receiver batteries are low, No "beep" will be emitted from the Receiver when it receives an On/Off command from the Transmitter. This is an alert for a low battery condition for the Receiver. When the batteries are replaced the "beep" will be emitted from the Receiver when the ON/OFF Key is pressed (See Initialization of The System).

Proflame I Remote Receiver Battery Replacement

IMPORTANT: These instructions only apply if optional remote control was purchased.

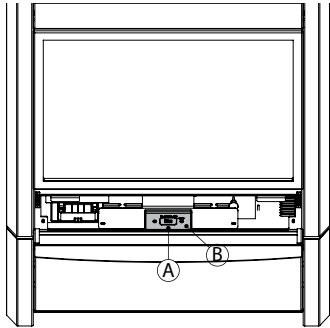
NOTE: Batteries are required in both remote receiver (4 x AA batteries) & remote hand held (3 x AAA batteries) in order to operate the appliance using the remote control.

How to replace / add the batteries on battery holder (Proflame 2).

Note: Open up front access door to expose the battery holder.

Only use regular alkaline batteries. Do not use rechargeable or lithium batteries.

STEP 1

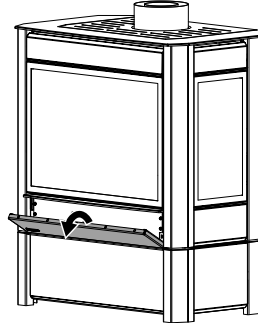


Letter	Description	Part #
A	Remote Receiver	911-338/P
B	Black Wall Switch Cover Plate	911-342

STEP 2

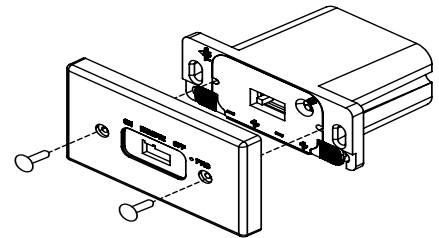
Pull the front door downwards as shown in the illustrations.

This will expose the control panel area.



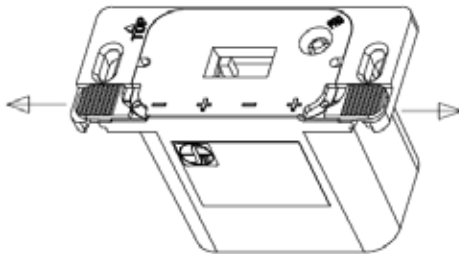
STEP 3

Remove black wall switch cover plate (B) by removing 2 small Phillips head screws.



STEP 4

Move both the left/right slides as shown below.



STEP 5

The battery compartment will be pushed out slightly, to allow to easily extract it



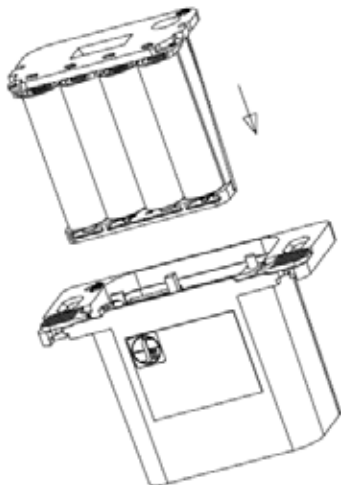
STEP 6

Extract the battery compartment from the remote receiver/battery holder



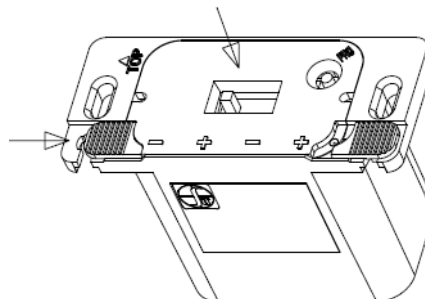
STEP 7

Replace 4 x AA batteries and insert the battery compartment back into remote receiver/battery holder



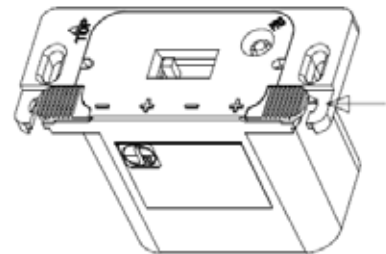
STEP 8

Keeping the battery compartment pressed in, close the left slide



STEP 9

Close the right slide



STEP 10

Reinstall wall cover plate with 2 Phillips had screws.

Installation

Gas Installation Checklist

This general checklist does not contain all pertinent installation details or specifics and does not supersede the guidelines in this manual. Your Regency dealer/installer should use it in conjunction with manual instructions. Please follow all local codes and jurisdictions in authority.

Customer: _____	Date Installed: _____		
Install Address: _____	Location of Fireplace: _____		
Serial No: _____	Installer: _____		
Model No: _____			
Site Requirements	YES	NO	
If applicable, are the insulation, vapour barrier, and drywall present if installed on an outside wall or chase?			
Does the area have a solid continuous base to support the unit?			
Will the area accommodate the size of the appliance and all clearances?			
Are the gas and electrical roughed into the area where the unit is being installed?			
In City & Grandview series cool wall applications, is the chase enclosure sealed to prevent heat from escaping? All hot air from the unit must exit via the mandatory ventilation openings.			
In City & Grandview applications, Is the chase enclosure vented with the mandatory heat ventilation openings? See manual for details.			
If applicable, is the masonry/factory built fireplace in its original condition with no modifications?			
If applicable, have the hearth requirements been met?			
Unit Setup	YES	NO	
If applicable, are the standoffs and top nailing flange extensions installed and at the correct depth to accommodate finishing material? See manual for details.			
If applicable, is the fireplace level and secured, meeting framing clearances? See manual for details.			
If applicable, is the unit converted to top or rear vent per manual instructions, and the insulation discarded?			
Venting	YES	NO	
Are the venting components approved for the unit installed?			
Does the venting configuration comply with venting diagrams?			
Is venting installed and secured, and are clearances for the vent pipe and termination cap maintained?			
If applicable, was a 1/4" rise maintained for every foot of horizontal run?			
Was the termination installed and sealed?			
Is the direct vent termination at the highest point in the vent assembly?			
If applicable, are both chimney liners continuous from flue collars to termination?			
Electrical and Wiring	YES	NO	
Is the appliance connected to the household's 110/120v per local codes? Check local codes for receptacle placement.			
Were the connections in the fireplace tested with a circuit tester?			
Is the appliance properly grounded?			
If applicable, is the supplied electrical/gang box affixed to the wall to facilitate the mounting of the receiver/battery box ?			
If applicable, is all electrical, Ethernet, HDMI, networking, optical, wire/cables, conduits, etc. run through the wood or steel stud work as wires/cables of any kind cannot be exposed directly above or over the fireplace?			
Gas	YES	NO	
Does the supply pressure meet the requirements shown on the rating plate?			
Was a conversion performed?			
Was a leak check performed and manifold pressures verified?			

Is the shut-off valve installed and easily accessible to the customer?		
Finishing	YES	NO
If applicable, is only noncombustible material installed in the noncombustible areas?		
Do clearances meet installation and manual requirements?		
Do the mantels and/or projections comply with the installation manual?		
If applicable, was the solid fuel fireplace warning plate installed?		
Is the chase enclosure fully open the full width, height and depth above the fireplace as per the requirements noted in the framing section?		
Appliance Media Setup	YES	NO
Do commands from the remote or wall switch light the pilot and main burner?		
Are the burner media/log set, glass door, and screen installed per instructions in the manual?		
Was the air shutter on the proper setting after running the unit for 20 minutes?		
If applicable, were the surround and trims installed according to the manual?		
Was the operation of the fan, lights (if installed), and flame modulation checked?		
Customer Tutorial and Presentation	YES	NO
Is the customer confident operating the new gas appliance and aware of all the features on the remote?		
Confirm that the rating and lighting plates are attached to the appliance. Do not remove.		
Was the customer informed of the location of the rating and lighting plates?		
Was accessing unit controls in a power outage explained to the customer?		
Are the model and serial numbers and the date of installation of the unit written in the manual and on the checklist?		
Were the warranty and unit registration reviewed with the customer?		
Comments:		

Installation

Important Information on the GS33

Before You Start

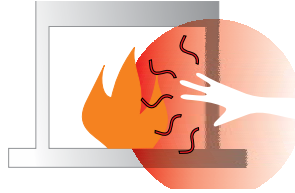
Safe installation and operation of this appliance requires common sense, however, we are required by the Canadian Safety Standards and ANSI Standards to make you aware of the following:

INSTALLATION AND REPAIR SHOULD BE DONE BY AN AUTHORIZED SERVICE PERSON. THE APPLIANCE SHOULD BE INSPECTED BEFORE USE AND AT LEAST ANNUALLY BY A PROFESSIONAL SERVICE PERSON. MORE FREQUENT CLEANING MAY BE REQUIRED DUE TO EXCESSIVE LINT FROM CARPETING, BEDDING MATERIAL, ETC. IT IS IMPERATIVE THAT CONTROL COMPARTMENTS, BURNERS AND CIRCULATING AIR PASSAGEWAYS OF THE APPLIANCE BE KEPT CLEAN.

DUE TO HIGH TEMPERATURES, THE APPLIANCE SHOULD BE LOCATED OUT OF TRAFFIC AND AWAY FROM FURNITURE AND DRAPERIES.

WARNING: FAILURE TO INSTALL THIS APPLIANCE CORRECTLY WILL VOID YOUR WARRANTY AND MAY CAUSE A SERIOUS HOUSE FIRE.

CHILDREN AND ADULTS SHOULD BE ALERTED TO THE HAZARDS OF HIGH SURFACE TEMPERATURES, ESPECIALLY THE FIREPLACE GLASS, AND SHOULD STAY AWAY TO AVOID BURNS OR CLOTHING IGNITION.



YOUNG CHILDREN SHOULD BE CAREFULLY SUPERVISED WHEN THEY ARE IN THE SAME AREA AS THE APPLIANCE. TODDLERS, YOUNG CHILDREN AND OTHERS MAY BE SUSCEPTIBLE TO ACCIDENTAL CONTACT BURNS. A PHYSICAL BARRIER IS RECOMMENDED IF THERE ARE AT RISK INDIVIDUAL IN THE HOUSE. TO RESTRICT ACCESS TO A FIREPLACE OR STOVE, INSTALL AN ADJUSTABLE SAFETY GATE TO KEEP TODDLERS, YOUNG CHILDREN AND OTHER AT RISK INDIVIDUALS OUT OF THE ROOM AND AWAY FROM HOT SURFACES.

CLOTHING OR OTHER FLAMMABLE MATERIAL SHOULD NOT BE PLACED ON OR NEAR THE APPLIANCE.

A BARRIER DESIGNED TO REDUCE THE RISK OF BURNS FROM THE HOT VIEWING GLASS IS PROVIDED WITH THIS APPLIANCE AND SHALL BE INSTALLED FOR THE PROTECTION OF CHILDREN AND OTHER AT-RISK INDIVIDUALS

IF THE BARRIER BECOMES DAMAGED, THE BARRIER SHALL BE REPLACED WITH THE MANUFACTURER'S BARRIER FOR THIS APPLIANCE.

ANY SAFETY SCREEN, GUARD, OR BARRIER REMOVED FOR SERVICING AN APPLIANCE MUST BE REPLACED PRIOR TO OPERATING THE APPLIANCE.

 **WARNING: Cancer and Reproductive Harm**
www.P65Warnings.ca.gov

919-874

Important Message**SAVE THESE INSTRUCTIONS**

The ATMOSPHERE Direct Vent Freestanding Gas Stove must be installed in accordance with these instructions. Carefully read all the instructions in this manual first. Consult the building authority having jurisdiction to determine the need for a permit prior to starting the installation.

Note: Failure to follow the instructions could cause a malfunction of the heater which could result in death, serious bodily injury, and/or property damage. Failure to follow these instructions may also void your fire insurance and/or warranty.

Note: These instructions take precedence over Simpson Dura-Vent instructions.

Specifications (Standing Pilot)**Fuels:**

GS33NG is approved for use with natural gas.

GS33LP is approved for use with liquefied petroleum gases (propane).

Electrical: 115V A.C. system.

Circulation Fan: Variable speed, 125/75.

Log Sets: Ceramic fibre, Oak/Birch 10 per set, Driftwood 8 per set.

Vent System: Coaxial (6-5/8" outer / 4" inner liner) rigid flue and termination cap.

Information For Mobile/Manufactured Homes After First Sale

This Regency® product has been tested and listed by Intertek as a Vented Gas Fireplace Heater to ANSI Z21.88.

This Direct Vent System Appliance must be installed in accordance with the manufacturer's installation instructions and the Manufactured Home Construction and Safety Standard, Title 24 CFR, Part 3280, or the current Standard of Fire Safety Criteria for Manufactured Home Installations, Sites, and Communities ANSI/NFPA 501A.

This appliance installation must comply with the manufacturer's installation instructions and local codes, if any. In the absence of local codes follow the current National Fuel Gas Code, ANSI Z223.1 and the current National Electrical Code ANSI/NFPA 70 in the U.S.A.

This Regency® Mobile/Manufactured Home Listed appliance comes factory equipped with a means to secure the unit.

This Regency® Mobile/Manufactured Home listed appliance comes equipped with a dedicated #8 ground lug to which an 18 gauge copper wire from the steel chassis ground must be attached.

This appliance may only be installed in an aftermarket permanently located, manufactured (mobile) home, where not prohibited by local codes.

This appliance is only use with the type of gas indicated on the rating plate. This appliance is not convertible for use with other gases, unless a certified kit is used.

1. Provide adequate clearances for servicing, proper operation and around the air openings into the combustion chamber.
2. The appliance may be installed on a flat, solid, continuous surface (e.g. wood, metal, concrete). This may be the floor, or it can be raised up on a platform to enhance its visual impact. The appliance may be installed on carpeting, tile, wood flooring or other combustible material, because the appliance's metal pedestal base extends the full width and depth of the appliance. The ATMOSPHERE Direct Vent Freestanding Gas Stove can be installed in a wide variety of ways and will fit nearly any room layout. It may be installed in a recessed position, framed out into the room, or across a corner.
3. The ATMOSPHERE Direct Vent Freestanding Gas Stove is approved for alcove installations, which meet the clearances as listed in the "Locating Your Atmosphere Gas Stove" section. This unit is approved for manufactured home installations, see "Rigid Pipe Venting Arrangements" section for the required vent arrangements. If installed into a manufactured home the unit must be bolted down to the floor.
4. This appliance is Listed for bedroom installations when used with a Listed Millivolt Thermostat. Some areas may have further requirements, check local codes before installation.
5. This appliance is Listed for Alcove installations.
6. We recommend that you plan your installation on paper using exact measurements for clearances and floor protection before actually installing this appliance. Have a qualified building inspector review your plans before installation.

General Safety Information

1. The appliance installation must conform with local Canadian Electrical Code.
2. The appliance when installed, must be electrically grounded in accordance with local codes, or in the absence of local codes with the current National Electrical Code, ANSI/NFPA 70.
3. The appliance should be inspected for shipping damage before use and **serviced annually by a professional service person**. More frequent cleaning may be required due to excessive lint from carpeting, bedding material, etc. It is imperative that control compartments, and circulating air passageways of the appliance be kept clean and free from excessive lint from carpeting.
4. See general construction and assembly instructions. The appliance and vent should be enclosed when installed in or passing through a living area, where children may come in contact with it.
5. This appliance must be connected to the specified vent and termination cap to the outside of the building envelope. Never vent to another room or inside a building. Make sure that the vent is fitted as per the instructions starting in "Locating Your Ultimate Gas Stove" section.
6. Inspect the venting system annually for blockage and any signs of deterioration.
7. Venting terminals shall not be recessed into a wall or siding.
8. Any safety glass removed for servicing must be replaced prior to operating the appliance.
9. To prevent injury, do not allow anyone who is unfamiliar with the operation to use the fireplace.
10. Under no circumstances should this appliance be modified. Parts that have to be removed for servicing should be replaced prior to operating this appliance.
11. The appliance area must be kept clear and free of combustible materials, (gases and other flammable vapours and liquids).
12. Do not slam shut or strike the glass door.
13. Be aware of hot surfaces in front and around the fireplace & glass. Although safe, this can get very hot when the fireplace heats.

CAUTION: Label all wires prior to disconnection when servicing controls. Wiring errors can cause improper and dangerous operation. Verify proper operation after servicing.

Installation

Installation Checklist

1. Locate your appliance. Refer to the following sections:
 - a. Locating Your Ultimate Gas Stove
 - b. Exterior Vent Termination Locations
 - c. Clearance to Combustibles
 - d. Combustion and Ventilation Air
2. Install Pedestal or Legs. Refer to "Pedestal or Leg Installation" section.

IMPORTANT: The appliance MUST be installed with either the optional pedestal or legs.

3. Choose a venting option and install accordingly. Refer to the following sections where applicable:
 - a. DV Stove Horizontal Vent Kit Installation
 - b. Dura-Vent Termination Kit
 - c. Converting a Class-A Metal Chimney to a Direct Vent system.

4. Set vent restrictor (refer to vent charts) and install venting.
5. Install 1 AA battery into DC spark box. See manual for installation of battery.

6. Make gas connections. Refer to "Gas Connection" section.

Test the pilot. Must be as per diagram. Refer to "Pilot Adjustment" section.

7. If necessary, see the "Conversion from NG to LPG" section.

8. Test Gas Pressure. Refer to "Gas Pipe Pressure Testing" section .

9. Install standard and optional features. Refer to the following sections where applicable:

- a. Log Set
- b. Front Door
- c. Wall Thermostat
- d. Remote Control
- e. Safety Screen
- f. 1-AA battery into DC spark box

9. Final check. Refer to the "Final Check" section.

Before leaving this unit with the customer, the installer must ensure that the appliance is firing correctly and **operation fully explained to customer.**

This includes:

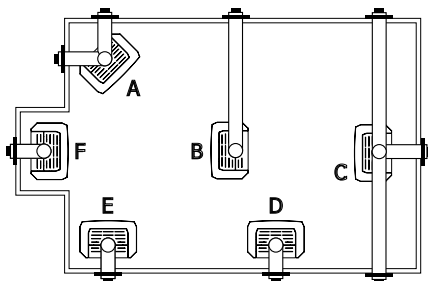
1. Locking the appliance to ensure the correct firing rate (rate noted on label) after burning appliance for 15 minutes.
2. If required, adjusting the primary air to ensure that the flame does not carbon. First allow the unit to burn for 15-20 min. to stabilize.

CAUTION: Any alteration to the product that causes sooting or carboning that results in damage is not the responsibility of the manufacturer.

Locating Your Gas Stove

When selecting a location for your stove, ensure that the clearances listed above are met as well as ensuring that there is adequate accessibility for servicing and proper operation.

- A) Cross Corner
- B) Room Divider
- C) Island
- D) Flat on Wall
- E) Flat on Wall Corner
- F) Flush with Wall/ Alcove



For Vent Termination requirements, see "Exterior Vent termination Locations" section.

Clearances To Combustibles

The clearances listed are MINIMUM distances. Measure the clearance to both the appliance and the chimney connector. **The farthest distance is correct if the two clearances do not coincide.**

For example, if the appliance is set as indicated in one of the figures but the connector is too close, move the stove until the correct clearance to the connector is obtained.

This appliance may be installed only with the clearances as shown in the situations pictured. **Do not combine clearances from one type of installation with another in order to achieve closer clearances.**

This unit can be installed on a solid combustible surface like a wood floor. This unit can also be installed directly on carpeting or vinyl.

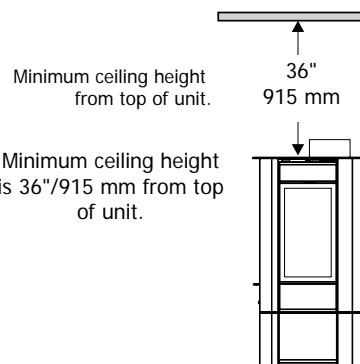
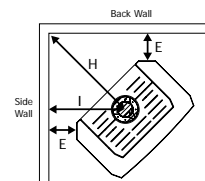
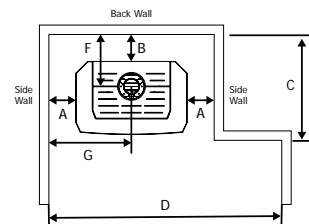
Use the minimum clearances shown in the diagrams below:

GS33 Clearances

- A Side Wall to Unit 12" / 305 mm
- B Back Wall to Unit 4" / 102 mm
- C Back Wall to Side Wall Front 23" / 584 mm
- D Alcove Width 84" / 2134 mm
- E Side Wall to Unit Corner 4" / 102 mm

GS33 Reference Dimensions

F	Back Wall to Flue Centerline Back Wall to Flue Centerline	10-7/16" (265 mm)
G	Side Wall to Flue Centerline	26-5/16" (668 mm)
H	Back Wall Corner To Flue Centerline	23-1/16" (586 mm)
I	Side Wall to Flue Centerline	16-5/16" (414 mm)

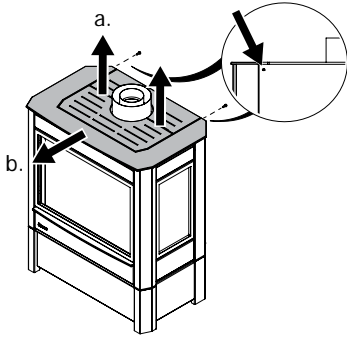


GS33 Pipe Clearances

- Horizontal Top 2" / 51 mm
- Horizontal Sides 1-1/2" / 38 mm
- Horizontal Bottom 1" / 25 mm
- Vertical 1-1/4" / 32 mm

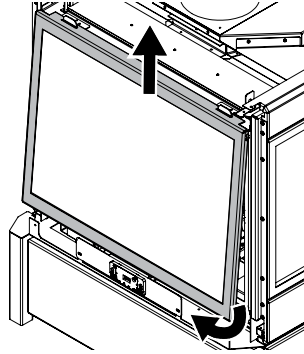
Top Removal

- a. Remove the unit's top front and rear pieces. There will be a total of 2 pieces.
- b. Remove the x2 screws at the back of the unit as shown. Proceed to remove the top front outer chamfered piece.



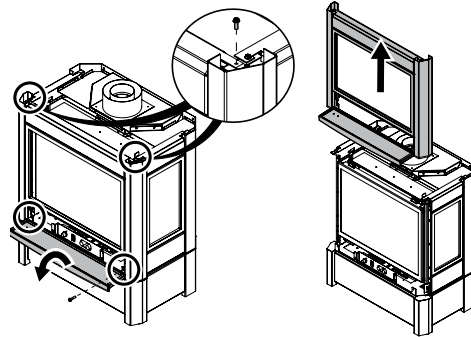
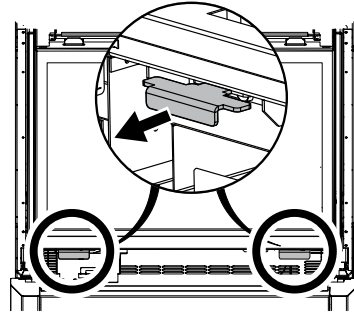
Front Glass Removal

1. Remove the front glass door by pulling and disengaging the 2 spring latches securing the door. Carefully lift up the door to get access to the inside of the firebox. Put front glass door to the side and lay on a blanket.



Front Assembly Removal

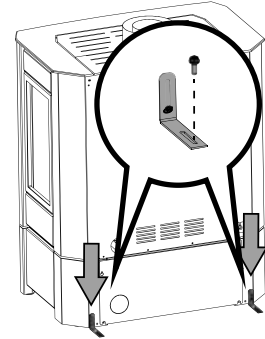
1. Remove the front frame assembly by removing the x2 screws at the top of the unit as shown.
2. Open the front door and remove the x2 screws securing the rest of the assembly.
3. Lift up and towards you and then put to the side. Lay removed assembly on a blanket.



Mobile Home

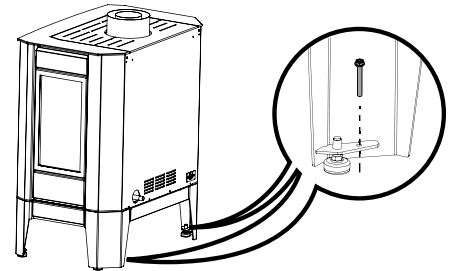
Pedestal Anchoring

1. Fasten two brackets (Part #666-118) to the rear side of the pedestal using the existing screws.
2. Secure the pedestal to the floor using deck screws (Not included).



Legs Anchoring

Secure the legs directly to the floor using deck screws (not included).



Mobile Home Additional Requirements

1. Ensure that structural members are not cut or weakened during installation.
2. Ensure proper grounding using the #8 ground lug provided.
3. Appliance must be anchored to the floor with the supplied anchoring methods.

Installation

Base Assembly Installation

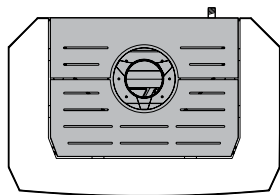
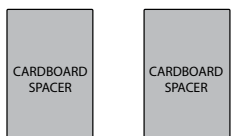
These instructions are for use with the following products:

Part #	Description
711-911	Legs
711-915	Pedestal

NOTES

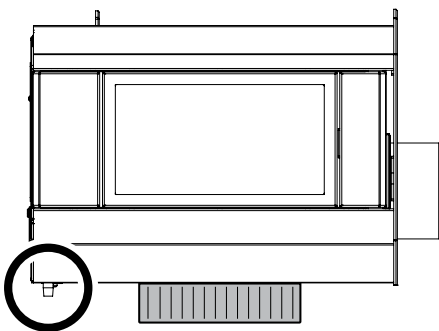
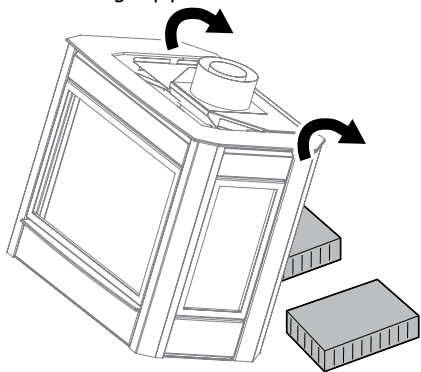
- It is advised that two people assist with the assembly of the pedestal or legs base.
- Make sure the unit is not connected to any gas source, electric source and also not connected to any venting.
- If doing an LP conversion on the unit, it is advisable to swap the stepper motor out at this time as you will have full access to the valve access panel located on the underside of the unit.
- Make sure the unit does not have any logs set and or media installed prior to proceeding with these instructions.

1. For easier assembly, remove the cardboard spacers 2x from the top of the unit and place them behind the unit, in-line with its width. Also, remove the unit's firebox top front and back parts highlighted below.

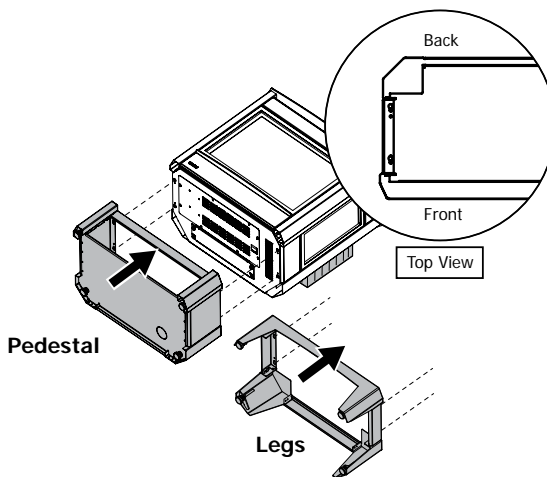


TOP VIEW

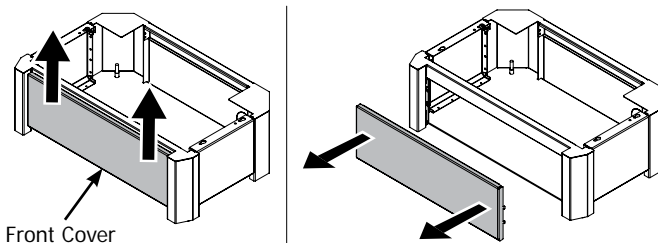
2. Carefully tip the unit onto its back, placing it on the cardboard spacers. Make sure the unit's gas pipe is lifted and not touching the ground.



3. Depending on the base purchased, follow steps below to install either the pedestal and or legs.

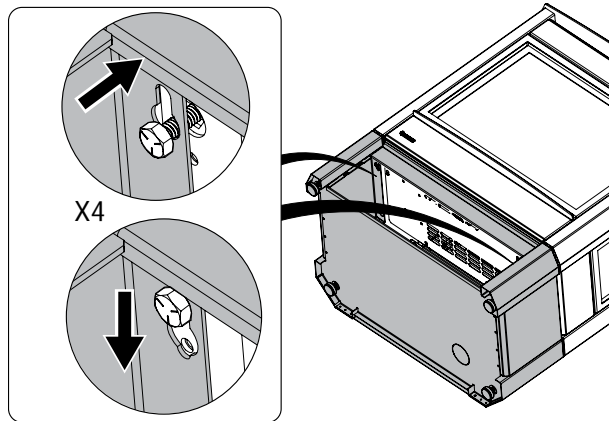


NOTES For the pedestal option, remove the front cover before proceeding. See below.



4. Loosen all 4 1/4 x20 Hex head bolts located on the underside of the unit base before proceeding.

Using the keyholes located on the chosen bases, secure the base to the unit using the 4 loosened 1/4-20 hex heads as your guide. Once all 4 key holes slots/bolts line up pull downward to lock it into position. See below diagram. Ensure that prior to tightening the bolts that the base is centered both front to back and side to side. Fully tighten the 4x hex bolts.



5. Carefully, tip the unit with the base installed back up.

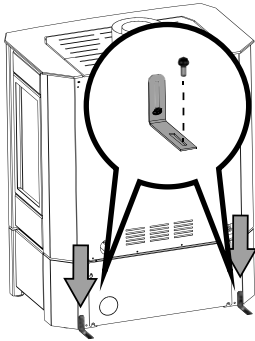
Ensure the unit is stable. Both bases have leveling legs to stabilize if required.

If appliance is being installed into a mobile home, follow steps below.

Mobile Home

Pedestal Anchoring

1. Fasten two brackets (Part #666-118) to the rear side of the pedestal using the existing screws.
2. Secure the pedestal to the floor using deck screws (Not included).



Installation

Venting Introduction

The DV Stove Horizontal Vent Kit and the Simpson Dura-Vent Direct Vent, venting systems, in combination with the ATMOSPHERE Direct Vent Freestanding Gas Stove GS33 is tested and listed as direct vent heater systems by Intertek. If converting a Class-A Metal Chimney to a Direct Vent system, see instructions in "Converting a Class-A Metal Chimney to a Direct Vent System" section.

These units use the "balanced flue" technology Co-Axial system. The inner liner vents products of combustion to the outside while the outer pipe draws outside combustion air into the combustion chamber thereby eliminating the need to use heated room air for combustion and losing warm room air up the chimney.

Note: These flue pipes must not be connected to any other appliance.

The gas appliance and vent system must be vented directly to the outside of the building, and never be attached to a chimney serving a separate solid fuel or gas burning appliance. Each direct vent gas appliance must use its own separate vent system. Common vent systems are prohibited.

IMPORTANT

Read all instructions carefully before starting the installation. Failure to follow these instructions may create a fire or other safety hazard, and will void the warranty. Be sure to check the venting and clearance to combustibles requirements. Consult your local building codes before beginning installation.

The location of the termination cap must conform to the requirements in the "Exterior Vent Terminal Locations" section.

Vent Restrictor Installation (Non Power Vent)

1. Determine the venting configuration.
NOTE: No restrictor plate installed from the factory. The settings plate is found in the manual package.
2. Go the venting arrangements section (in the manual) to determine if a vent restrictor setting is required. (If required, follow the steps in the manual for removing the unit tops, front assembly and front glass, before proceeding to Step 3.)
3. Locate the restrictor plate location as shown in diagram 1 and align the restrictor plate to the required vent restrictor position as per the diagram 2 shown below.
4. Once the vent restrictor plate is in the required position, fasten it to the top of the unit using the two provided screws, on the left and right sides. Ensure all the screws are tight, but do not over tighten.

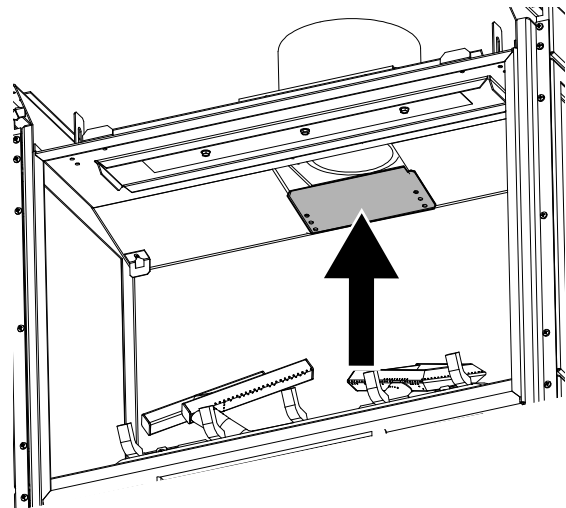


Diagram 1

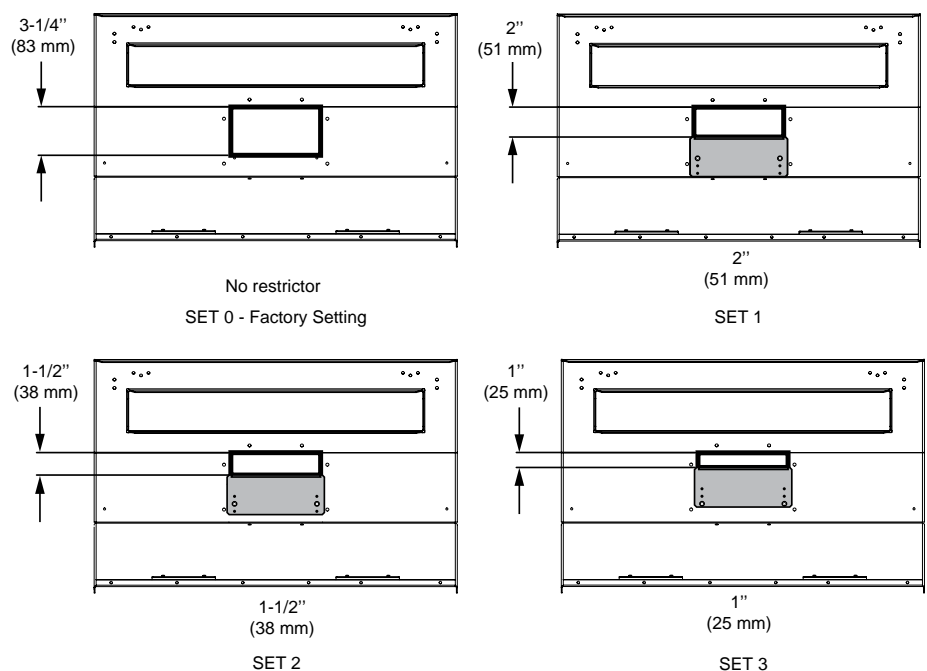
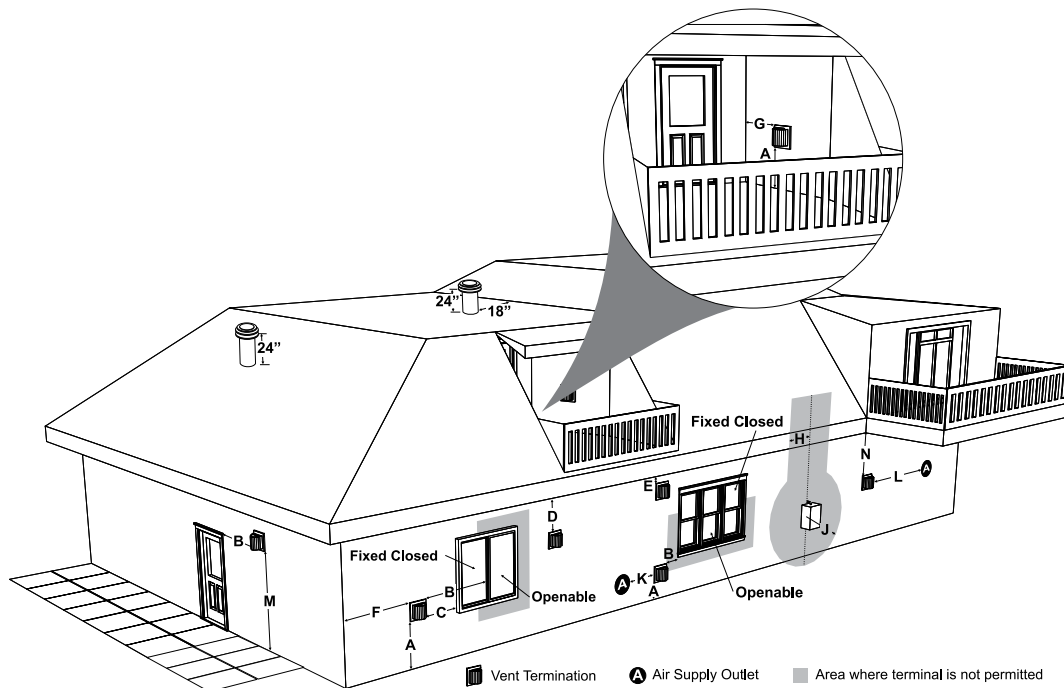


Diagram 2

Exterior Vent Terminal Locations



	Minimum Clearance Requirements	USA ¹
A	Clearance above grade, veranda, porch, deck, or balcony	12" (30 cm)
B	Clearance to window or door that may be opened	9" (23 cm)
C	Clearance to permanently closed window	*
D	Vertical clearance to ventilated soffit located above the terminal within a horizontal distance of 2 feet (61cm) from the center line of the terminal (check with the local code)	Dura Vent 18" (46 cm) Other Approved Caps 22" (56 cm)
E	Clearance to unventilated soffit	18" (46 cm)
F	Clearance to outside corner: with AstroCap Termination Cap.	6" (15 cm)
	Clearance to outside corner: with all other approved Termination Caps.	12" (30 cm)
G	Clearance to inside corner: with AstroCap Termination Cap	8" (20 cm)
	Clearance to inside corner: with all other approved Termination Caps.	12" (30 cm)
H	Clearance to each side of center line extended above meter/regulator assembly	*
J	Clearance to service regulator vent outlet	*
K	Clearance to non-mechanical air supply inlet to building or the combustion air inlet to any other appliance	9" (23 cm)
L	Clearance to a mechanical air supply inlet - 3' (91cm) above if within 10' (3m) horizontally.	36" (90 cm) ^b
M	Clearance above paved sidewalk or a paved driveway located on public property	*
N	Clearance under veranda, porch, deck, or balcony	*

¹ In accordance with the current ANSI Z223.1/NFPA 54, National Fuel Gas Code
 † A vent shall not terminate directly above a sidewalk or paved driveway which is located between two single family dwellings and serves both dwellings
 ‡ Permitted only if veranda, porch, deck, or balcony is fully open on a minimum of two sides beneath the floor
 * Clearance in accordance with local installation codes and the requirements of the gas supplier
^a 3 feet (91cm) within a height of 15 feet (4.5m) above the meter / regulator assembly
^b 3 feet (91cm) above—if within 10 feet (3m) horizontally

Installation

4" x 6-5/8" Rigid Pipe Cross Reference Chart

Components from different Manufacturers may not be mixed. Not All Rigid Pipe components are available directly from FPI.

Description	Simpson Direct Vent Pro®	*Selkirk Direct Temp™	*American Metal Products® Amerivent Direct	*Metal-Fab™ Sure Seal	*Security Secure- Vent®	*ICC Excel Direct	*Olympia Ventis DV***
6" Pipe Length-Galvanized	46DVA-06	4DT-6	N/A	4D6	SV4L6	TC-4DL6	VDV-0406
6" Pipe Length-Black	46DVA-06B	4DT-6B	N/A	4D6B	SV4LB6	TC-4DL6B	VDVB-0406
7" Pipe Length-Galvanized	N/A	N/A	4D7	N/A	N/A	N/A	N/A
7" Pipe Length-Black	N/A	N/A	4D7B	N/A	N/A	N/A	N/A
9" Pipe Length-Galvanized	46DVA-09	4DT-9	N/A	N/A	N/A	TC-4DL9	VDV-0409
9" Pipe Length-Black	46DVA-09B	4DT-9B	N/A	N/A	N/A	TC-4DL9B	VDVB-0409
12" Pipe Length-Galvanized	46DVA-12	4DT-12	4D12	4D12	SV4L12	TC-4DL1	VDV-0412
12" Pipe Length-Black	46DVA-12B	4DT-12B	4D12B	4D12B	SV4LB12	TC-4DL1B	VDVB-0412
18" Pipe Length-Galvanized	46DVA-18	4DT-18	4D18	4D18	SV4LA	TC-4DL18	VDV-0418
18" Pipe Length-Black	46DVA-18B	4DT-18B	4D18B	4D18B	SV4LA	TC-4DL18B	VDVB-0418
24" Pipe Length-Galvanized	46DVA-24	4DT-24	4D24	4D24	SV4L24	TC-4DL2	VDV-0424
24" Pipe Length-Black	46DVA-24B	4DT-24B	4D24B	4D24B	SV4LB24	TC-4DL2B	VDVB-0424
36" Pipe Length-Galvanized	46DVA-36	4DT-36	4D36	4D36	SV4L36	TC-4DL3	VDV-0436
36" Pipe Length-Black	46DVA-36B	4DT-36B	4D36B	4D36B	SV4LB36	TC-4DL3B	VDVCB-0436
48" Pipe Length-Galvanized	46DVA-48	4DT-48	4D48	4D48	SV4L48	TC-4DL4	VDV-0448
48" Pipe Length-Black	46DVA-48B	4DT-48B	4D48B	4D48B	SV4LB48	TC-4DL4B	VDVB-0448
60" Pipe Length-Galvanized	46DVA-60	4DT-60	N/A	N/A	N/A	N/A	N/A
60" Pipe Length-Black	46DVA-60B	4DT-60B	N/A	N/A	N/A	N/A	N/A

Adjustable Length 3"-10"-Galvanized	N/A	N/A	N/A	4DAL	N/A	TC-4DLT	N/A
Adjustable Length 3"-10"-Black	N/A	N/A	N/A	4DALB	N/A	TC-4DLTB	N/A
Adjustable Length 7)-Galvanized	N/A	N/A	4D7A	N/A	N/A	N/A	N/A
Adjustable Length 7"-Black	N/A	N/A	4D7AB	N/A	N/A	N/A	N/A
Extension Pipe 8-1/2"-Galvanized	46DVA-08A	N/A	N/A	N/A	N/A	N/A	N/A
Extension Pipe 8-1/2"-Black	46DVA-08AB	N/A	N/A	N/A	N/A	N/A	N/A
Adjustable Length 12"-Galvanized	N/A	N/A	4D12A	N/A	SV4LA12	TC-4dLSI	N/A
Adjustable Length 12"-Black	N/A	N/A	4D12A	N/A	SV4LBA12	TC-4dLSIB	N/A
Extension Pipe 16"-Galvanized	46DVA-16A	N/A	N/A	N/A	N/A	N/A	N/A
Extension Pipe 16"-Black	46DVA-16AB	N/A	N/A	N/A	N/A	N/A	N/A

45° Elbow-Galvanized	46DVA-E45	4DT-EL45	4D45L	N/A	N/A	TE-4DE45	VDV-EL0445
45° Elbow-Black	46DVA-E45B	4DT-EL45B	4DT-EL45B	N/A	N/A	TE-4DE45B	VDVB-EL0445
45° Elbow Swivel-Galvanized	See 46DVA-E45	N/A	N/A	4D45L	SV4E45	N/A	N/A
45° Elbow Swivel-Black	See 46DVA-E45B	N/A	N/A	4D45LB	SV4EB45	N/A	N/A
90° Elbow-Galvanized	46DVA-E90	4DT-EL90S	4DT-EL90S	N/A	N/A	TE-4DE90	VDV-EL0445
90° Elbow-Black	46DVA-E90B	4DT-EL90SB	4DT-EL90SB	N/A	SV4EBR90-1	TE-4DE90B	VDVB-EL0445
90° Elbow, Swivel-Galvanized	See 46DVA-E90	N/A	N/A	4D90L	SV4E90-1	N/A	N/A
90° Elbow, Swivel-Black	See 46DVA-E90B	N/A	N/A	4D90LB	wSV4EB90-1	N/A	N/A
90° Starter Elbow, Swivel-Galvanized	N/A	N/A	N/A	4D90A	N/A	N/A	N/A
Adaptor*	N/A	N/A	N/A	4D90L	N/A	N/A	VDV-UAA04

Ceiling Support	N/A	4DT-CS	4DSP	4DFSP	SV4SD	TM4-RDS	VDV-SCR04
Cathedral Support Box	46DVA-CS	4DT-CSS	4DRSB	4DRS	SV4CSB	TM4-SDS	VDV-CSS04
Wall Support/Band	46DVA-WS	4DT-WS/B	4DWS	4DWS	SV4BM	TM-SWS	VDV-WS04
Offset Support	46DVA-ES	4DT-OS	N/A	N/A	SV4SU	TM-SOS	N/A
Wall Thimble-Black	46DVA-WT	4DT-WT	4DWT	4DWT	SV4RSM	N/A	VDV-WPT04
Wall Thimble Cover/Ceiling Support	46DVA-DC	N/A	N/A	N/A	SV4PF	N/A	N/A
Firestop Spacer	46DVA-FS	4DT-FS	4DFSP	4DFS	SV4BF	TM-4CS	VDV-FS04
Trim Plate-Black	N/A	4DT-TP	4DFPB	4DcP	SV4LA	TM-4TP	VDV-WTC04

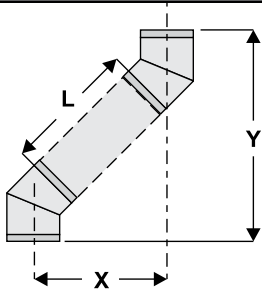
* Not available from Regency

Description	Simpson Direct Vent Pro®	*Selkirk Direct Temp™	*American Metal Products® Amerivent Direct	*Metal-Fab™ Sure Seal	*Security Secure- Vent®	*ICC Excel Direct	*Olympia Ventis DV***
Attic Insulation Shield 12"	46DVA-IS	N/A	4DAIS12	4DIS	SV4RSA	N/A	VDV-AIS04
Attic Insulation Shield - Cold Climates 36"	N/A	N/A	4DAIS12	N/A	N/A	TM-4AS	N/A
Basic Horizontal Termination Kit (A)	46DVA-KHA	4DT-HKA	4DHTK2	4DHTKA	SV-SHK	TM4-HTK	VDV-KW04
Horizontal Termination Kit (B)	N/A	4DT-HKB	4DHTK1	4DHTKB	SV-HK	TM4-HTK	VDV-K04
Vertical Termination Kit	N/A	4DT-VKC	4DHTK	4DHTK	SV-FK	N/A	N/A
High Wind Vertical Cap	46DVA-VCH	4DT-VC	N/A	N/A	N/A	TM-4VT	VDV-VCHW04
High Wind Horizontal Cap	N/A	N/A	N/A	N/A	N/A	TM-4DHT	N/A
Horizontal Square Termination Cap	46DVA-HC	4DT-HHC	4DHC	4DHT	SV4CHC	TM-4HT	VDV-HC04
Vertical Termination Cap	46DVA-VC	4DT-HVC	4DVC	4DVT	SV4CGV	N/A	N/A
Storm Collar	46DVA-SC	4DT-SC	4DSC	4DSC	SV4FC	TM-SC	VDV-SC04
Flashing - Flat Roof	46DVA-FF	N/A	N/A	N/A	N/A	N/A	N/A
Adjustable Flashing 0/12-6/12	46DVA-F6	4DT-AF6	4D12S	4DF	SV4STC14	TF-4FA	VDV-F0406
Adjustable Flashing 6/12-12/12	46DVA-F12	4DT-AF12	4D36S	4DF-12	SV4STC36	TF-4FB	VDV-SSO
Vinyl Siding Standoff	46DVA-VSS	4DT-VS	N/A	4DVS	SV4VS	TM-VSS	N/A
Vinyl Siding Shield Plate	N/A	4DT-VSP	N/A	N/A	SV4VS	N/A	N/A
Snorkel Termination 14"	46DVA-SNK14	4DT-ST14	N/A	N/A	N/A	TM-4ST14	N/A
Snorkel Termination 36"	*46DVA-SNK36	4DT-ST36	N/A	N/A	N/A	TM-4ST36	N/A
Wall Firestop	46DVA-WFS	N/A	N/A	N/A	N/A	TM-4TR	VDV-FS04

* Not available from Regency

FPI			
946-506/P	Vent Guard (Optional) for AstroCap	946-205	Vinyl Siding Shield for Riser Vent Terminal
		946-208/P	Vent Guard (Optional) for Riser Vent Terminal
640-530/P	Riser Vent Terminal	946-523/P	AstroCap Horizontal Cap
		946-206	Vinyl Siding Standoff for AstroCap

Note: When using Metal-Fab Sure Seal Rigid Piping - please note that the Adaptor (4DDA) must be used in conjunction with FPI Rigid Pipe Adaptor already installed on the appliance.

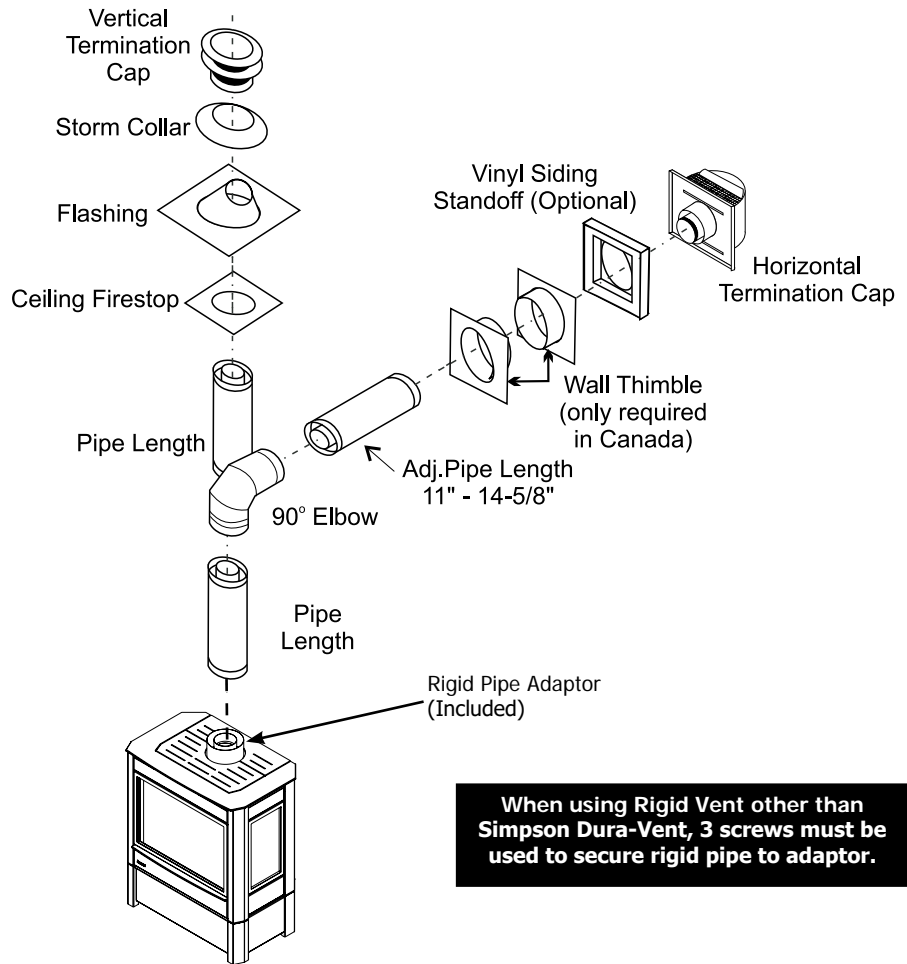
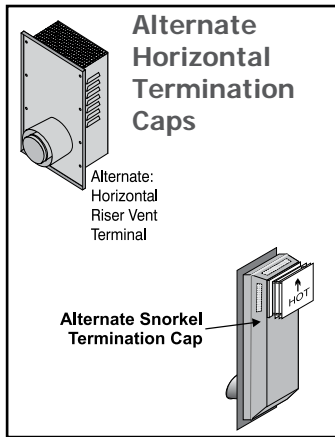
Offset Pipe Selection: Use this table to determine offset pipe lengths.				For specific instructions on venting components - visit the manufacturers website listed below.
Pipe Length (L)	4" x 6-5/8" Venting			
	Run (X)	Rise (Y)		
0" (0mm)	4-7/8" (124mm)	13-7/8" (340mm)		
6" (152mm)	8" (203mm)	16-1/2" (419mm)		
9" (229mm)	10-1/8" (257mm)	18-5/8" (473mm)		
12" (305mm)	12-1/4" (311mm)	20-3/4" (527mm)		
24" (610mm)	20-5/8" (524mm)	29-1/8" (740mm)		
36" (914mm)	29" (737mm)	37-1/2" (953mm)		
48" (1219mm)	37-7/16" (951mm)	45-15/16" (1167mm)		

Note: Horizontal runs of vent must be level, or have a 1/4" rise for every 1 foot of run towards the termination. Never allow the vent to run downward - this could cause high temperatures and may present a possible fire hazard.

Installation

Rigid Pipe Venting Systems

Horizontal or Vertical Terminations



When using Rigid Vent other than Simpson Dura-Vent, 3 screws must be used to secure rigid pipe to adaptor.

WARNING:

Do not combine venting components from different venting systems.

However use of the the AstroCap™ and FPI Riser is acceptable with all systems.

This product has been evaluated by Intertek for using a Rigid Pipe Adaptor in conjunction with Duravent Direct-Vent, Selkirk Direct-Temp, Ameri Vent Direct venting and Security Secure Vent systems. Use of these systems with the Rigid Pipe adaptor is deemed acceptable and does not affect the Intertek WHI listing of components.

The FPI AstroCap™ and FPI Riser Vent terminal are certified for installations using FPI venting systems as well as Simpson Dura-Vent® Direct Vent, American Metal Products Ameri Vent Direct Vent, Security Secure Vent®, Selkirk Direct-Temp. AstroCap™ is a proprietary trademark of FPI Fireplace Products International Ltd. Dura-Vent® and Direct Vent are registered and/or proprietary trademarks of Simpson Dura-Vent Co. Inc.

Installation Precautions

These venting systems are engineered products that have been designed and tested for use with the GS33. The warranty will be voided and serious fire, health or other safety hazards may result from any of the following actions:

1. Installation of any damaged Direct Vent component
2. Unauthorized modification of the Direct Vent System
3. Installation of any component part not manufactured or approved by FPI Fireplace Products International Ltd.
4. Installation other than as instructed by FPI Fireplace Products International Ltd.

Warning: Always maintain required clearances (air spaces) to nearby combustibles to prevent a fire hazard. Do not fill air spaces with insulation.

Be sure to check the vent termination clearance requirements from decks, windows, soffits, gas regulators, air supply inlets and public walkways as specified in the "Exterior Vent Terminal Locations" section in your local building codes.

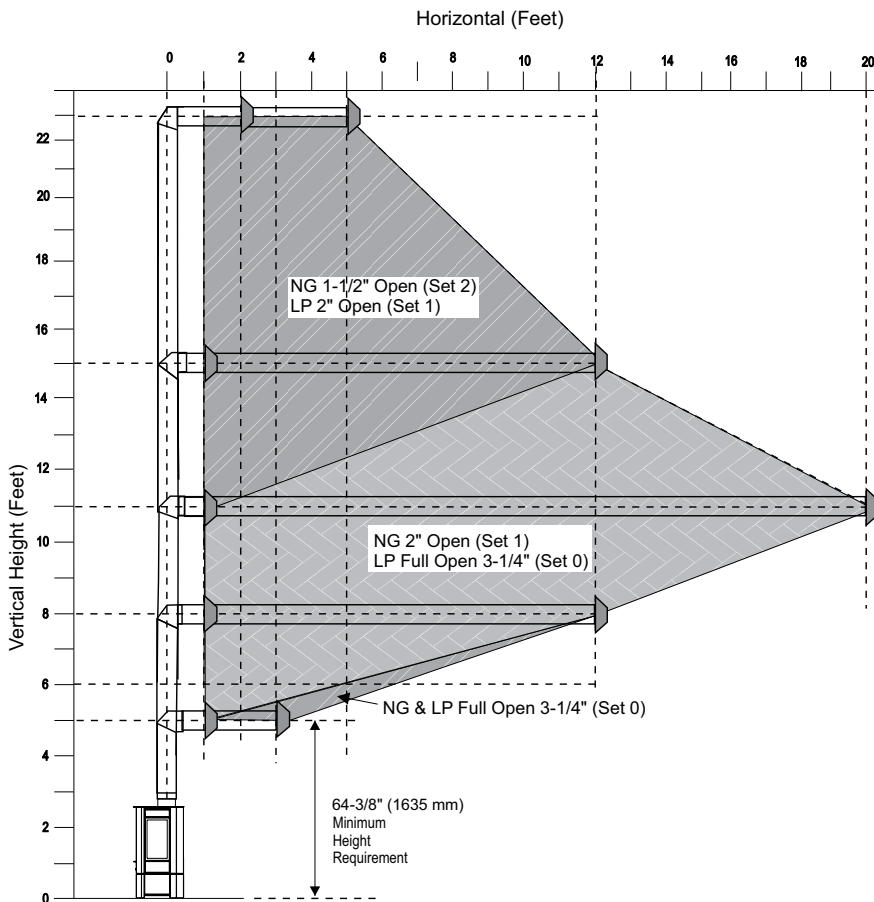
The gas appliance and vent system must be vented directly to the outside of the building, and never be attached to a chimney serving a separate solid fuel or gas-burning appliance. Each Direct Vent gas appliance must use its own separate vent system. Common vent systems are prohibited.

Safety Precautions for the Installer

1. Wear gloves and safety glasses for protection.
2. Exercise extreme caution when using ladders or on roof tops.
3. Be aware of electrical wiring locations in walls and ceilings.

Venting Arrangements - Horizontal Termination (Propane or Natural Gas)

The diagram shows all allowable combinations of vertical runs with horizontal terminations, using one 90° elbow (two 45° elbows equal one 90° elbow).



All Rigid Pipe Systems
 4" inner diameter
 6-5/8" outer diameter

GS33 Pipe Clearances

Horizontal Top	2" / 51 mm
Horizontal Sides	1-1/2" / 38 mm
Horizontal Bottom	1" / 25 mm
Vertical	1-1/4" / 32 mm

- Maintain clearances to combustibles.
- Horizontal vent must be supported every 3 feet.
- Firestops are required at each floor level and whenever passing through a wall.

Note: FPI DV Stove Horizontal Vent Kit 2 ft. (Part # 946-116) or 4 ft. (Part # 946-216) are approved for horizontal terminations. Only rigid pipe systems may be used.

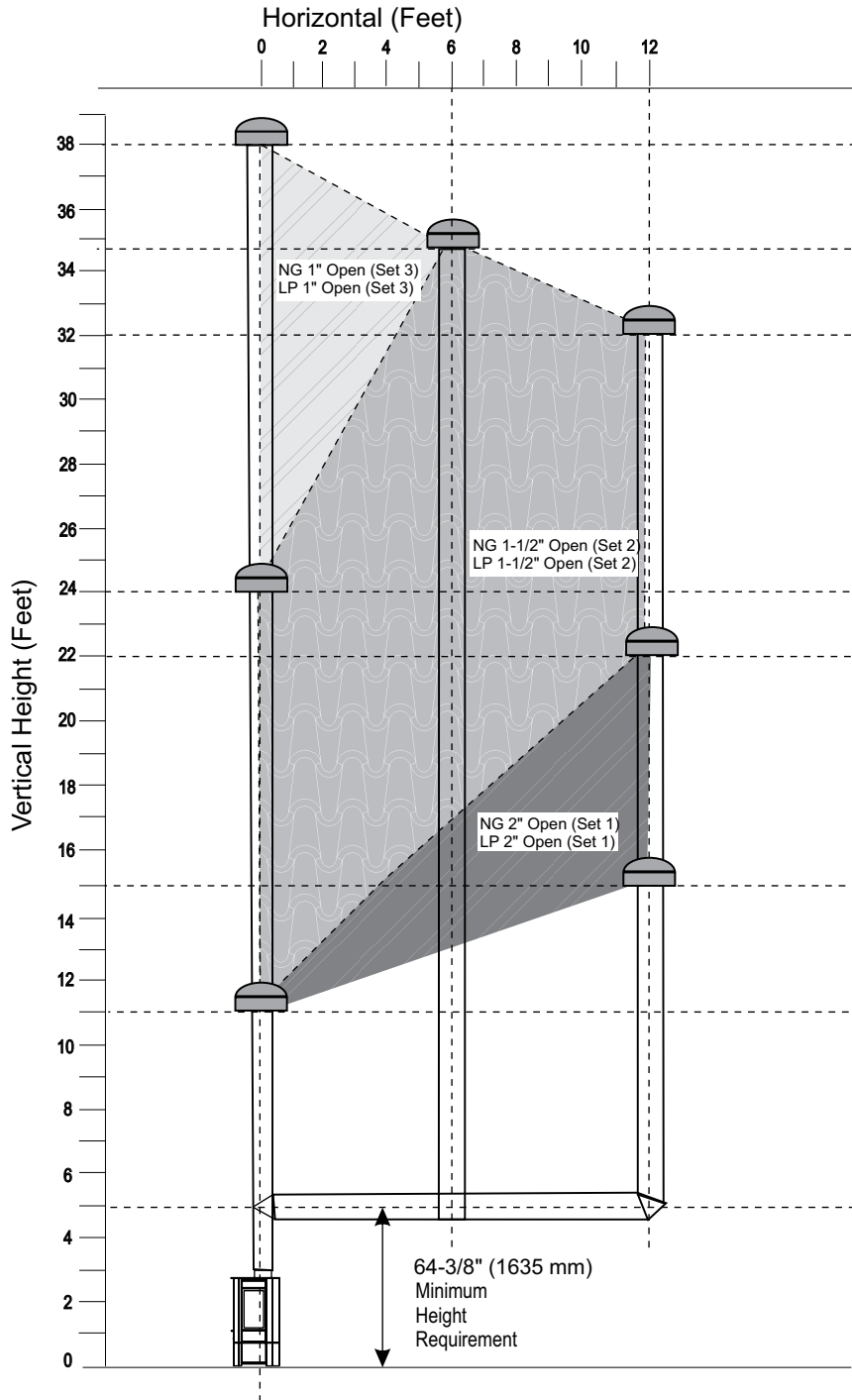
Installation

Venting Arrangements Vertical Termination - Rigid Pipe System (Propane or Natural Gas)

The shaded area in the diagram shows all allowable combinations of straight vertical and offset to vertical terminations, using two 90° elbows, with rigid pipe vent systems for Propane and Natural Gas. Two 45° elbows equal a 90° elbow.

May be installed in Manufactured (Mobile) Homes after first sale.

If the vent is ENCLOSED in a chase (min. size 9-1/8" (232 mm) x 9-1/8" (232 mm)) maintain a 1-1/4" (32 mm) clearance to combustibles.



GS33 Pipe Clearances

Horizontal Top	2" / 51 mm
Horizontal Sides	1-1/2" / 38 mm
Horizontal Bottom	1" / 25 mm
Vertical	1-1/4" / 32 mm

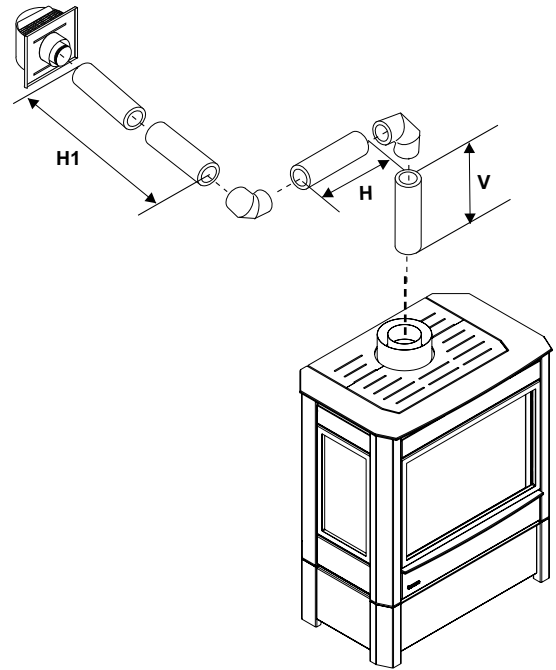
- Vent must be supported at offsets.
- Firestops are required at each floor level and whenever passing through a wall.
- Maintain clearances to combustibles.

Horizontal Terminations - Two 90° Elbows - Rigid Pipe (Propane & Natural Gas)

<i>One 90° elbow = Two 45° elbows.</i>		
Option	V	H + H1
A)	4' (1.22 m) Min.	3' (0.91 m) Max.
B)	5' (1.52 m) Min.	4' (1.22 m) Max.
C)	6' (1.82 m) Min.	5' (1.52 m) Max.
D)	7' (2.13 mm) Min.	6' (1.82 m) Max.
E)	8' (2.44 m) Min.	7' (2.13 m) Max.
F)	9' (2.74 m) Min.	8' (2.44 m) Max.

With these options, maximum total pipe length is 30 feet (9.14 m) with minimum of 9 feet (2.742 m) total vertical and maximum 8 feet (2.44 m) total horizontal.
Please note minimum 1 foot (0.3 m) between 90° elbows is required.

NG & LP Restrictor Set to Full Open 3-1/4" (Set 0). Lengths do not include elbows indicated.

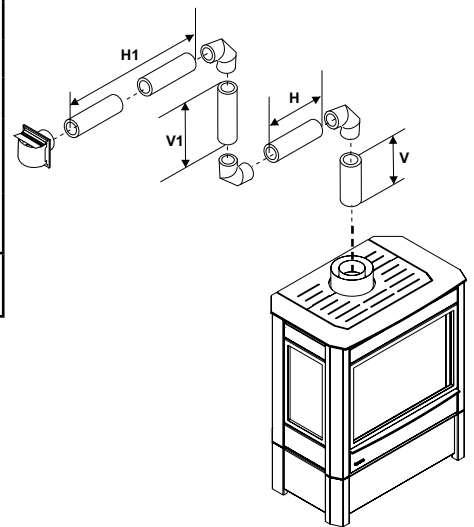


Horizontal Terminations - Three 90° Elbows - Rigid Pipe (Propane & Natural Gas)

<i>One 90° elbow = Two 45° elbows.</i>				
Option	V	H	V + V1	H + H1
A)	3' (0.91 m) Min.	1' (0.3 m) Max.	4' (1.22 m) Min.	3' (0.91 m) Max.
B)	3' (0.91 m) Min.	2' (0.61 m) Max.	5' (1.52 m) Min.	4' (1.22 m) Max.
C)	4' (1.22 m) Min.	2' (0.61 m) Max.	6' (1.82 m) Min.	5' (1.52 m) Max.
D)	4' (1.22 m) Min.	3' (0.91 m) Max.	7' (2.13 m) Min.	6' (1.82 m) Max.
E)	5' (1.52 m) Min.	3' (0.91 m) Max.	8' (2.44 m) Min.	7' (2.13 m) Max.
F)	5' (1.52 m) Min.	4' (1.22 m) Max.	9' (2.74 m) Min.	8' (2.44 m) Max.

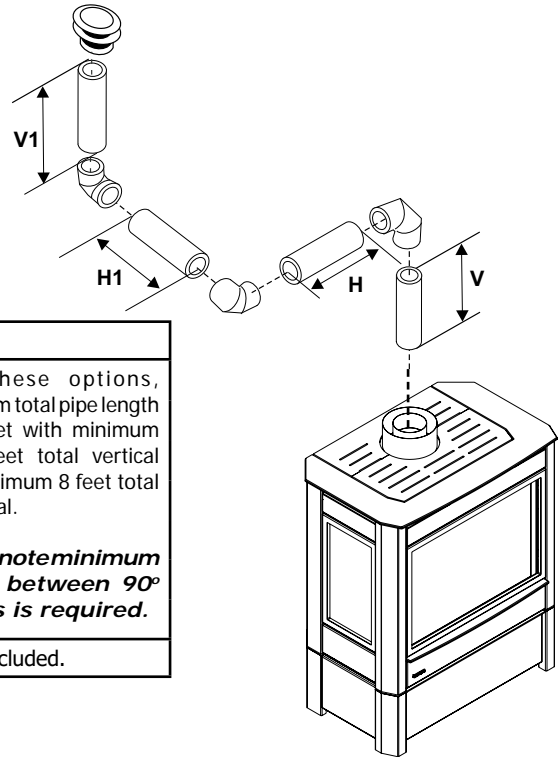
With these options, max. total pipe length is 30 feet (9.14 m) with min. of 9 feet (2.74 m) total vertical and max. 8 feet (2.44 m) total horizontal.
Please note min. 1 foot (0.3 m) between 90° elbows is required.

NG & LP Restrictor Set to Full Open 3-1/4" (Set 0). Lengths do not include elbows included.



Installation

Vertical Venting With Three 90° Elbows (Propane & Natural Gas) Rigid Pipe System



<i>One 90° elbow = Two 45° elbows.</i>			
Option	V	H + H1	V + V1
A)	3' (0.91 m) Min.	3' (0.91 m) Max.	5' (1.52 m) Min.
B)	4' (1.22 m) Min.	4' (1.22 m) Max.	6' (1.82 m) Min.
C)	4' (1.22 m) Min.	5' (1.52 m) Max.	7' (2.13 m) Min.
D)	5' (1.52 m) Min.	6' (1.82 m) Max.	8' (2.44 m) Min.
E)	5' (1.52 m) Min.	7' (2.13 m) Max.	9' (2.74 m) Min.
F)	6' (1.82 m) Min.	8' (2.44 m) Max.	10' (3.04 m) Min.

With these options, maximum total pipe length is 30 feet with minimum of 10 feet total vertical and maximum 8 feet total horizontal.

Please not a minimum 1 foot between 90° elbows is required.

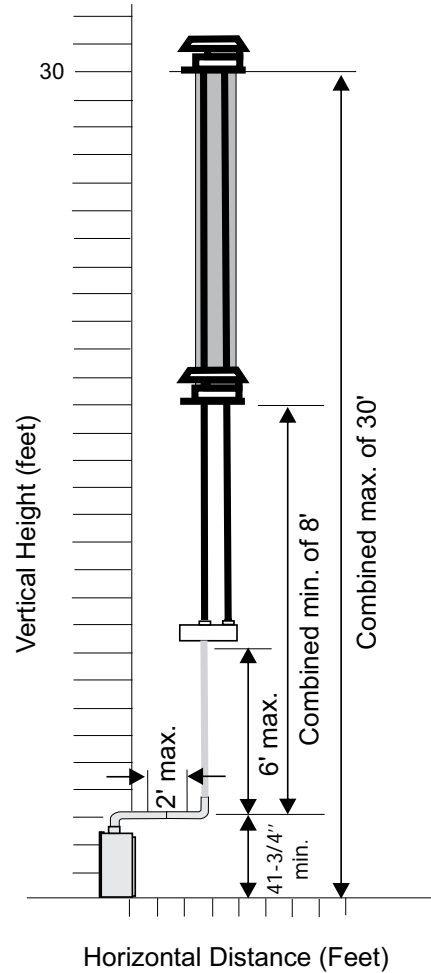
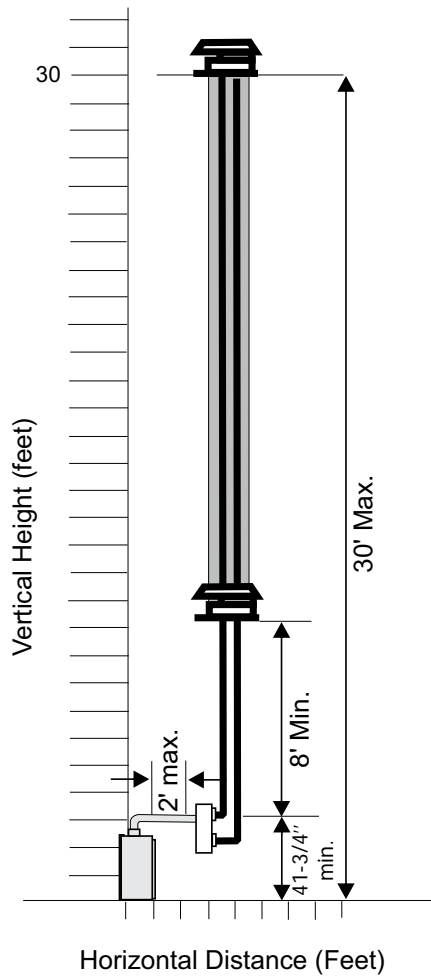
NG & LP Restrictor Set to Full Open 3-1/4" (Set 0). Lengths do not include elbows included.

Venting Arrangement - Vertical Terminations - Co-linear Flex System Into Masonry Fireplaces

(Propane & Natural Gas)

FOR BOTH RESIDENTIAL & MANUFACTURED HOMES

Restrictor at 2" Open (Set 1)



Installation

Venting Arrangements with Co-linear Flex System Into a Masonry Chimney

(Propane & Natural Gas)

THE APPLIANCE MUST NOT BE CONNECTED TO A CHIMNEY FLUE SERVING A SEPARATE SOLID FUEL BURNING APPLIANCE.

This appliance is designed to be attached to two 3" (76mm) co-linear aluminium flex running the full length of the chimney. See the Venting Arrangements on next page for minimum and maximum heights.

Required Parts:

Part #	Description
946-529	Co-linear DV Vertical Termination Cap
948-305	3" Flex - 35 ft.
946-563	Co-Axial to Co-Linear Adapter Kit which contains the following: Co-linear Flex Adapter Outer Pipe Inner Pipe Adapter 90 Degree Elbow Pipe Lengths

Alternate Approved Caps

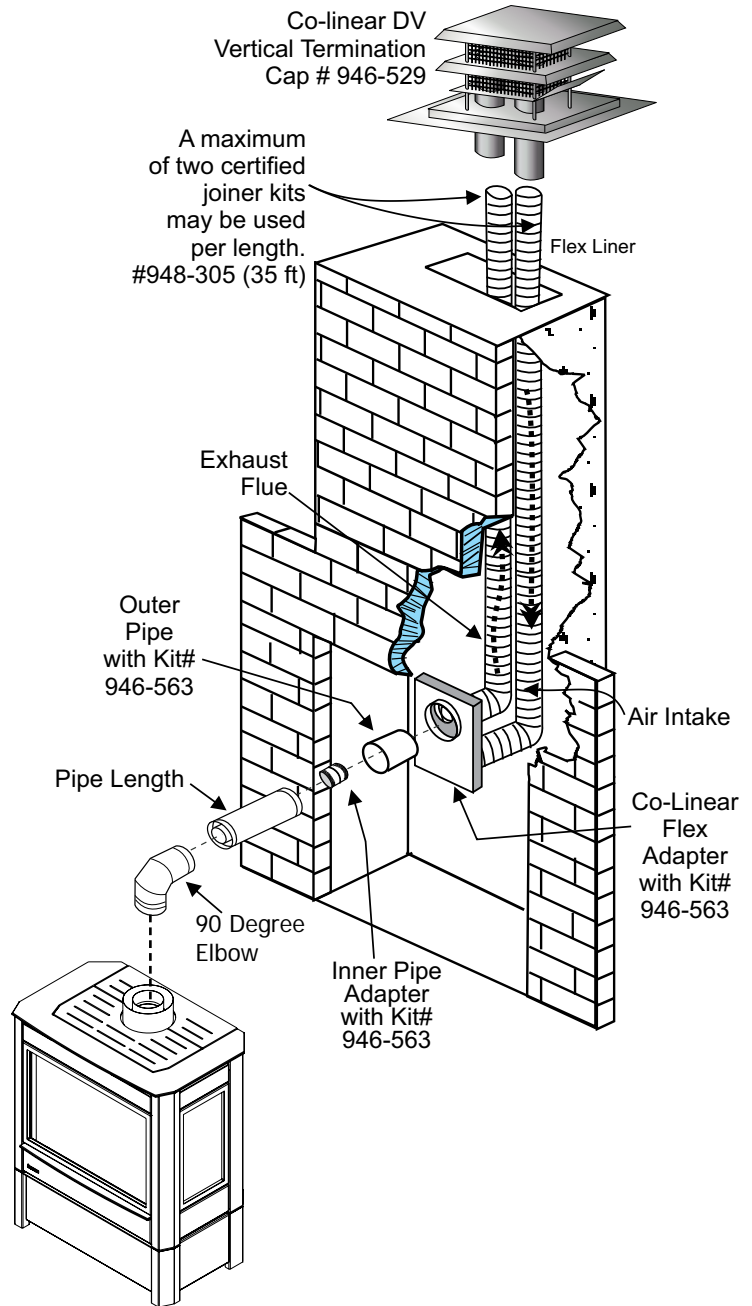
46dva-VC	Vertical Termination Cap
46dva-VCH	High Wind Cap
46dva-GK	3" Co-linear Adapter with flashing

NOTE:

See detailed venting arrangements, vertical terminations, co-linear flex system into masonry fireplaces in this manual.

Masonry chimneys may take various contours which the flexible liner will accommodate. However, **keep the flexible liner as straight as possible**, avoid unnecessary bending.

The Air Intake pipe must be attached to the inlet air collar of the termination cap.



DV Stove Horizontal Vent Kit (# 946-116 & #946-216)

DV Stove Horizontal Vent Kit 2 ft. (Part # 946-116) or 4 ft. (Part # 946-216) includes all the parts needed to install the GS33 with minimum horizontal and vertical vent dimensions. For installations that require longer vertical and/or horizontal vents see the "Dura-vent Termination Kit" and "Component" sections.

Qty. Description

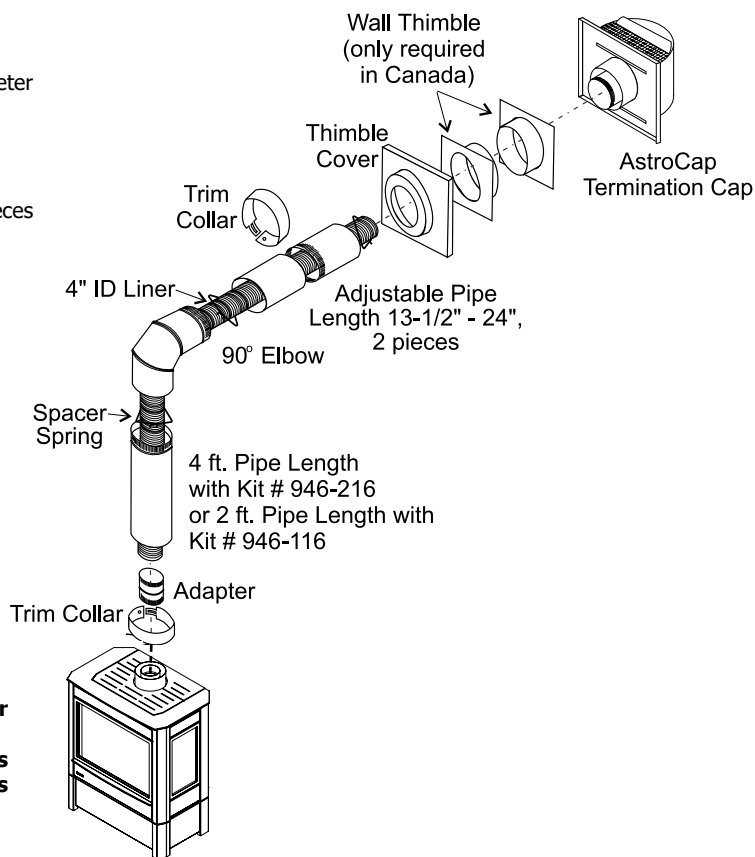
1. 1 Rigid Pipe Section (Kit # 946-116: 2 ft. (1.2m) length, Kit # 946-216: 4 ft. (1.2m) length), 6-1/2" (165mm) inside diameter
2. 1 Flex Liner, compressed aluminium 2 ply liner, 4" (102mm) inside diameter
3. 4 spring spacers
4. 1 90 deg. Elbow
5. 1 Adjustable pipe section 13-1/2" to 24" (343mm x 610mm), 2 pieces
6. 1 Thimble Cover
7. 1 Wall Thimble (2 pcs.)
8. 1 Adapter
9. 1 **AstroCap** Termination Cap
10. 2 Trim Collar
11. 1 tube of Mill-Pac, high temperature sealant
12. 12 Screws, #8 x 1/2" Self tapping, Stainless Steel
13. 13 Screws, #8 x 1/2" Self tapping, Black
14. 4 Screws #8 x 1-1/2" Drill Point, Black
15. 4 Screws #8 x 1-1/2" Drill Point, Stainless Steel
16. 8 Wood screws #8 x 1"

Optional:

- 946-206 Vinyl Siding Standoff for **AstroCap**
 946-506/P Vent Guard

Note:

- a) **Liner sections should be continuous without any joints or seams.**
- b) **This is an approved system, therefore components in this system must not be substituted for any other manufacturer's products.**



DV Stove Horizontal Vent Kit Installation

Review the following sequence of instructions which are typical of most installations. The sequence may vary depending on wall thickness.

Refer to vent location and clearance dimensions in "Exterior Vent Termination Locations" to "DV Stove Horizontal Vent Kit" sections.

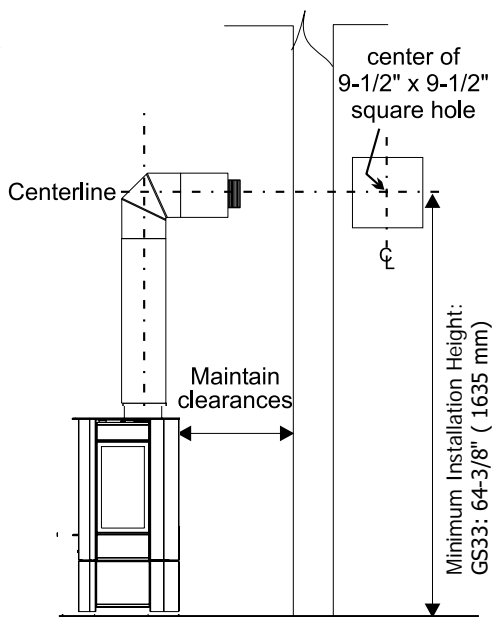
1. Set the unit in its desired location. Check to determine if wall studs will be in the way of the venting system, adjust location until all clearances are met and there are no obstructions.

Note: A 1-1/2" (38mm) clearance around the outer pipe must be maintained except that only a 1" (25mm) clearance is needed at the termination end.

IMPORTANT:

Do not locate termination hood where excessive snow or ice build up may occur. Be sure to check vent termination area after snow falls, and clear to prevent accidental blockage of venting system. When using snow blowers, make sure snow is not directed towards vent termination area.

2. Assemble a **trial fit** to determine the vertical center-line for the vent termination.



- a) Cut a 9-1/2" x 9-1/2" (241mm x 241 mm) square hole on both the interior and exterior wall.

- b) Install wall thimbles on both interior and exterior wall with 4 wood screws (#8 x 1") per thimble.

- c) Attach the 2 piece adjustable pipe section to the vent terminal and slide into position from the exterior. The larger diameter end of the adjustable pipe goes to the vent terminal.

- d) Install the 90° elbow onto the adjustable pipe to determine the vertical centerline of the starter collar on the unit.

Note: if the centerline cannot be met, the adjustable sections will have to be cut.

- e) Cut the 2 ft. or 4 ft. section of rigid pipe to length. Ensure that the pipe length when cut will seat onto both the starter collar and the 90° elbow. Crimped section of rigid pipe seats into the 90° elbow. Only cut the uncrimped side of pipe.

Installation

Dismantle all pipe sections including vent terminal.

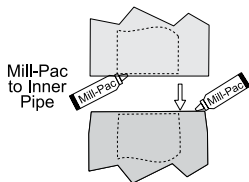
3. Attach the 4" dia. flex liner to the vent terminal ensuring that the flex overlaps the collar of the vent terminal by a minimum of 1-3/8" (35mm). Use Mill-Pac to seal and secure with 3 of the #8 x 1/2" screws (stainless steel).

4. Attach the adjustable pipe section to the vent terminal using Mill-Pac and attach with 3 of the #8 x 1/2" screws (stainless steel).

Note: The pipe seam should be facing down.

Note: To make the installation more aesthetically pleasing, we recommend framing out a square that the cap can be mounted on.

Note: If installing termination on a siding covered wall, a vinyl siding standoff or furring strips must be used to ensure that the termination is not recessed into the siding.



For vinyl siding standoff installation refer to the Dura-Vent Termination instructions.

5. Slide the partially connected pipe and vent terminal assembly through the wall thimbles (from the exterior into the interior) and secure the cap to the exterior wall with 4 of the supplied screws (#8 x 1-1/2" drill point, stainless steel). Note: pilot holes will need to be drilled through the wall thimble on all 4 corners.



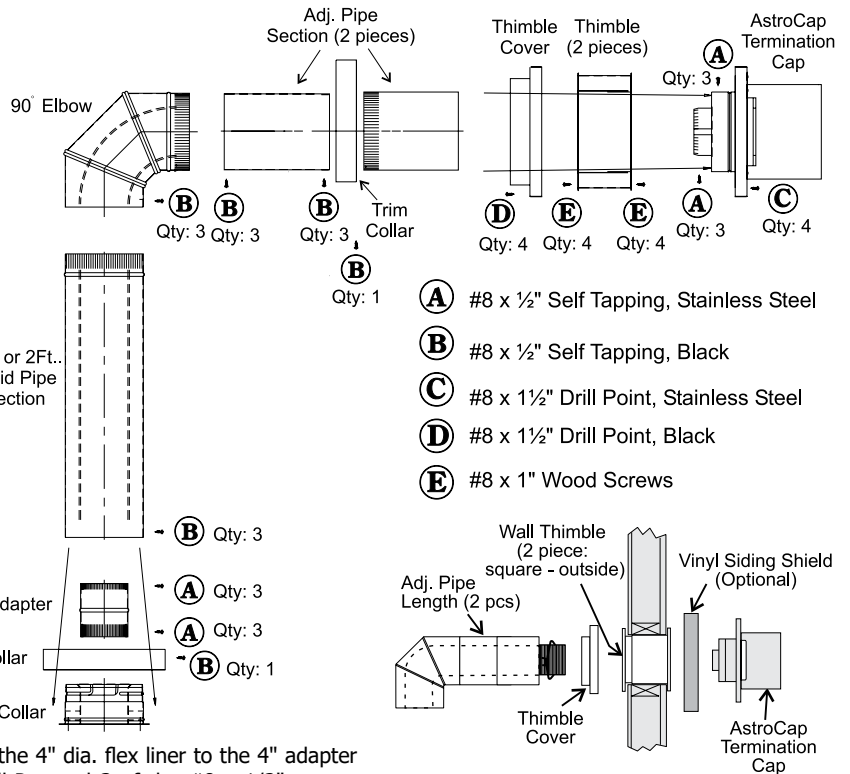
Note: The four screws provided for the vent cap should be replaced with appropriate fasteners for stucco, brick, concrete, or other types of sidings.

6. A bead of non-hardening mastic should be run around both the termination and vinyl siding standoff to prevent water from entering and to make a tight seal between the cap and the standoff.

7. Stretch the 4" dia. flex liner out fully and get a trial fit of the liner onto the 4" dia. starter collar.

8. Cut the 4" dia. flex liner to the desired size.

Hint: leave an extra 12" to 16" of length, this will make the final assembly easier to work with.



- A** #8 x 1/2" Self Tapping, Stainless Steel
- B** #8 x 1/2" Self Tapping, Black
- C** #8 x 1/2" Drill Point, Stainless Steel
- D** #8 x 1 1/2" Drill Point, Black
- E** #8 x 1" Wood Screws

9. Secure the 4" dia. flex liner to the 4" adapter with Mill-Pac and 3 of the #8 x 1/2" screws (stainless steel).

10. Slide the decorative Thimble Cover over the pipe sections and secure with 4 screws (#8 x 1-1/2" drill point, black) to the wall.

11. Slide the 90° elbow (crimp end up) and the 2 ft. or 4 ft. pipe section (crimp end up) over the 4" dia. flex liner.

12. Slide the trim collar over the adjustable pipe sections to cover the joint of the telescopic section.

13. Install the spring spacers onto the pipe sections.

14. Secure the 4" dia. flex liner with adapter onto the stove collar. Put a bead of Mill-Pac around the appliance adapter and secure with 3 screws (#8 x 1/2, stainless steel).

15. Attach the pipe section onto the starter collar by sealing with Mill-Pac and securing with 3 of the #8 x 1/2" (black) screws. Pipe seams should be facing the wall.

16. Attach the 90° elbow onto the pipe section by sealing with Mill-Pac and securing with 3 of the #8 x 1/2" screws (black).

17. Slide the adjustable pipe section onto the 90° elbow. The flex may have to be compressed back in order for the adjustable pipe to properly mate to the elbow. Seal with Mill-Pac and secure with 3 of the #8 x 1/2" screws (black). Pipe seams facing down.

18. Install the trim collar over the starter collar and secure with a #8 x 1/2" screw (black).

If the pipe needs to be touched up, use only Stove Brite High Temperature Metallic Black Stove Paint.

NOTE: For best results and optimum performance with each approved venting system, it is highly recommended to apply "Mill-Pac" sealant (supplied) to every inner pipe connection. Failure to do so may result in drafting or performance issues not covered under warranty.

Dura-Vent Termination Kit

Planning Your Dura-Vent Installation

There are two basic types of Dura-Vent Direct Vent System installations: horizontal termination and vertical termination. Confirm the maximum horizontal run and maximum vertical rise from the diagrams in the "Rigid Pipe Venting Arrangements" section.

When planning your installation, it will be necessary to select the proper length of vent pipe for your particular requirements. For horizontal installations, determine the minimum clearance from the rear of the unit to the wall. It is also important to note the wall thickness. (The wall thimble is suitable for 2 x 4 or 2 x 6 wall construction.) Select the amount of vertical rise desired for "vertical-to-horizontal" type installations.

Warning: Always maintain required clearances (air spaces) to nearby combustibles to prevent a fire hazard. Do not fill air spaces with insulation.

The minimum clearance requirements between the outer wall of the vent pipe and nearby combustible surfaces is 1-1/4 inch. Be sure to check the vent termination clearance requirements from decks, windows, soffits, gas regulators, air supply inlets and public walkways as specified in the "Exterior Vent Terminal Locations" section and in your local building codes.

To determine the length of vent pipe required for vertical installations, measure the distance from the unit flue outlet to the ceiling, the ceiling thickness, the vertical rise in an attic or second storey, and allow for sufficient vertical height above the roof line.

For multi-storey applications, fire stops are required at each floor level. If an offset is needed, additional pipe, elbows and supports will be required.

Dura-Vent Venting Components

You will require the following components with your new Regency® Direct Vent Freestanding Gas Stove. Please review your product to make sure you have everything you need. In the event that you are missing any part, contact your dealer.

Note: These are the minimum pieces required. Other parts may be required for your particular installation. See the "Dura-vent Horizontal Kit" section for a list of vent parts.

If installing termination on a siding covered wall, a vinyl siding standoff or furring strips can be used in order to ensure that the termination is not recessed into siding.

The vinyl siding standoff is required for walls with vinyl siding.

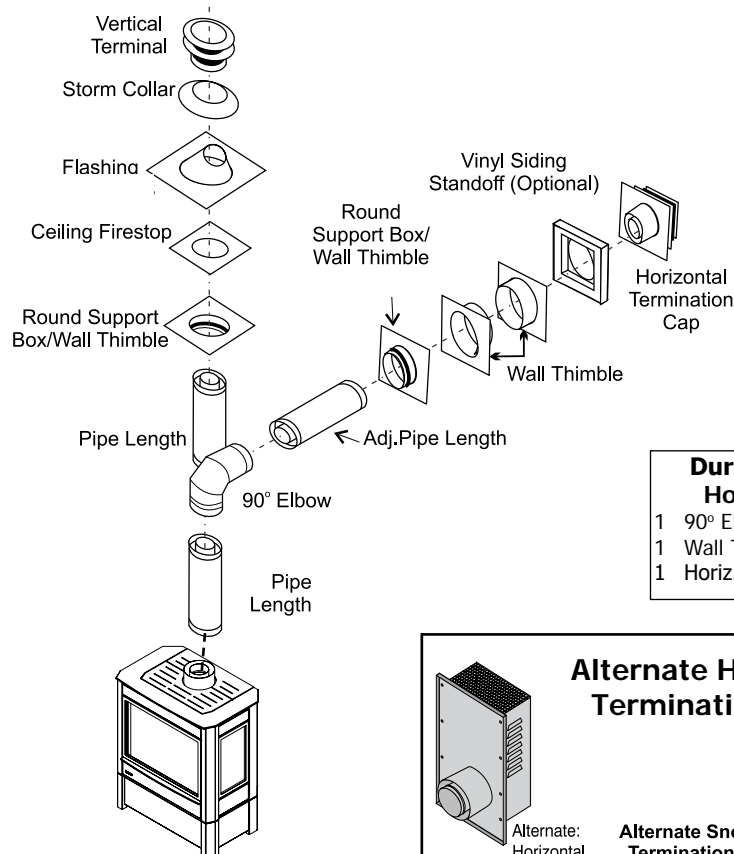
Minimum components for a Dura-Vent Horizontal Installation:

- A) Dura-Vent Horizontal Termination Kit
- B) Wall Thimble (required for combustible walls)

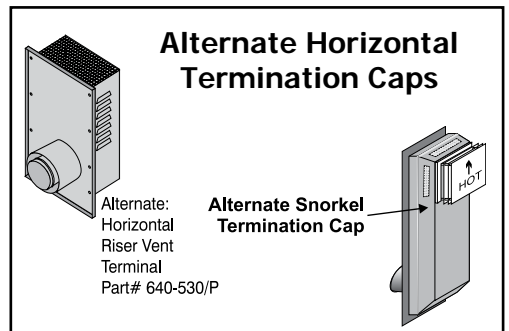
Minimum components for a Dura-Vent Vertical Termination:

- C) Dura-Vent Vertical Termination Kit
- See the "Rigid Pipe Venting Arrangements" section for pipe lengths.

The Simpson Dura-Vent Direct Vent System offers a complete line of component parts for installation of both horizontal and vertical installation. Many items are offered in decorative black, as well as galvanized finish. The galvanized pipe and fittings are used for concealed locations such as attics or where corrosion is a factor, such as above the roof line. Decorative brass trim kits are available for both wall thimbles and ceiling support boxes.



- Dura-Vent Basic Horizontal Kit**
- 1 90° Elbow
 - 1 Wall Thimble Cover
 - 1 Horiz. Sq. Term. Cap



Installation

Dura-Vent Horizontal Terminations

1. Set the unit in its desired location. Check to determine if wall studs or roof rafters are in the way when the venting system is attached. If this is the case, you may want to adjust the location of the unit.
2. Direct Vent pipe and fittings are designed with special twist-lock connections to connect the venting system to the appliance flue outlet. A twist-lock appliance adapter is installed on the unit at the factory. Assemble the desired combination of pipe and elbows to the appliance adapter with pipe seams oriented towards the wall or ceiling, as much out of view as possible. The final positioning of the pipe and 90o elbow assembly is determined by the mounting orientation of the adapter on the stove and twist-locked for a solid connection.

Note:

- a) Twist-lock procedure: Four indentations, located on the female ends of pipes and fittings, are designed to slide straight onto the male ends of adjacent pipes and fittings, by orienting the four pipe indentations so they match and slide in to the four entry slots on the male ends (diagram 1.. Push the pipe sections completely together, then twist-lock one section clockwise approximately one-quarter turn, until the two sections are fully locked. The female locking lugs will not be visible from the outside on the Black Pipe or fittings. They may be located by examining the inside of the female ends.

NOTE: For best results and optimum performance with each approved venting system, it is highly recommended to apply "Mill-Pac" sealant (supplied) to every inner pipe connection. Failure to do so may result in drafting or performance issues not covered under warranty.

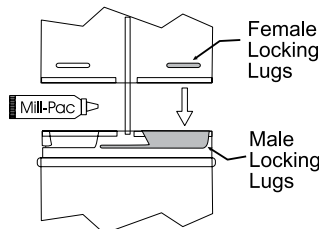


Diagram 1

- b) Horizontal runs of vent must be supported every three feet. Wall straps are available for this purpose.
3. With the pipe attached to the stove, slide the stove into its correct location, and mark the wall for a 10" x 10" (inside dimensions) square hole. The center of the square hole should line up with the centerline of the horizontal pipe, as shown in diagram 2. Cut and frame the 10 inch square hole in the exterior wall where the vent will be terminated. If the wall being penetrated is constructed of non-combustible material, i.e. masonry block or concrete, a 7" diameter hole is acceptable.

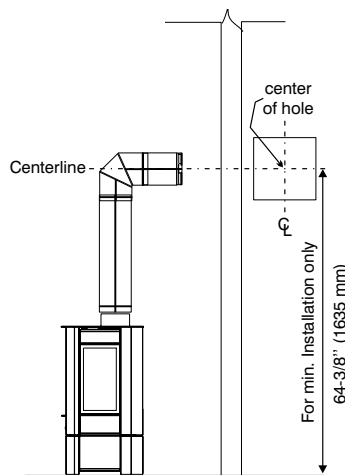


Diagram 2

Note:

- a) The horizontal run of vent should have a 1/4 inch rise for every 1 foot of run towards the termination. Never allow the vent to run downward. This could cause high temperatures and may present the possibility of a fire.
- b) The location of the horizontal vent termination on an exterior wall must meet all local and national building codes, and must not be blocked or obstructed. See instructions in the "External Vent Terminal Locations" section.

c) Snorkel Terminations:

For installations requiring a vertical rise on the exterior of the building, 14-inch and 36-inch tall Snorkel Terminations as shown in Dia. 3 are available, as well as the standard Riser Vent, see Dia. 3a. Follow the same installation procedures as used for standard Horizontal Termination. NEVER install the snorkel upside down.

***Dia 3, 3a & 4: As specified in CSAB149.1 Installation Code. Local codes or regulations may require different clearances.**

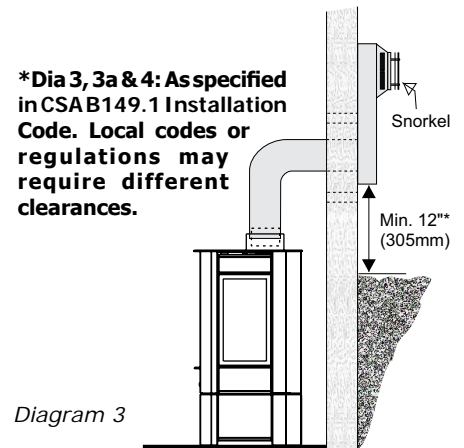


Diagram 3

NOTE: For Snorkel terminations in ABOVE grade installations, follow national or local code requirements.

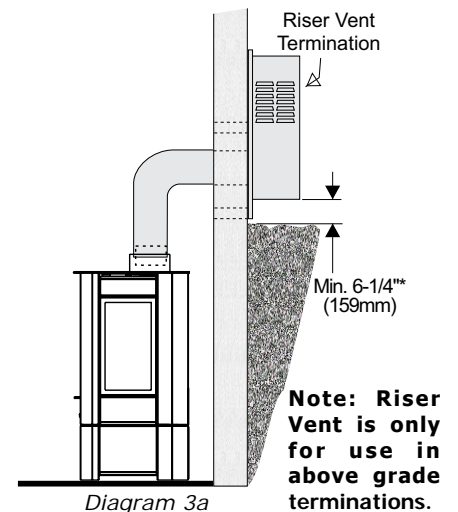


Diagram 3a

Note: Riser Vent is only for use in above grade terminations.

Below Grade Installation

If the Snorkel Termination must be installed below grade, i.e. basement application, proper drainage must be provided to prevent water from entering the Snorkel Termination. Refer to Dia. 4. Do not attempt to enclose the Snorkel within the wall, or any other type of enclosure.

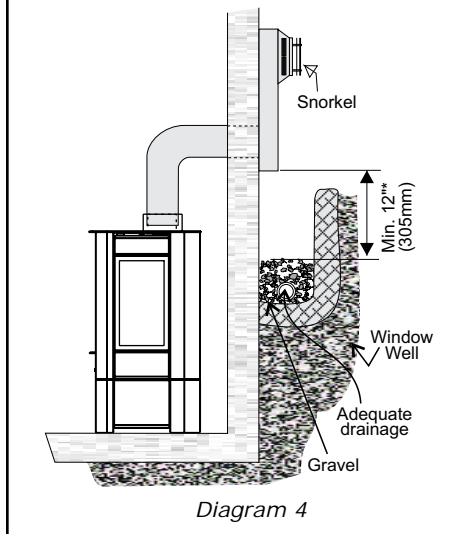


Diagram 4

4. If installing the vent termination to a wall with vinyl siding, the Vinyl Siding Standoff must be used. Attach the Vinyl Siding Standoff to the Horizontal Vent Termination, but first run a bead of non-hardening mastic around its outside edges, so as to make a seal between vent cap and the standoff. Install the Vinyl Siding Standoff between the vent cap and the exterior wall and attach with the four wood screws provided. Seal around the Vinyl Siding Standoff on all four sides. Diagram 5. **The arrow on the vent cap should be pointing up.** Insure that the 1-1/4" clearances to combustible materials are maintained. See diagram 5.

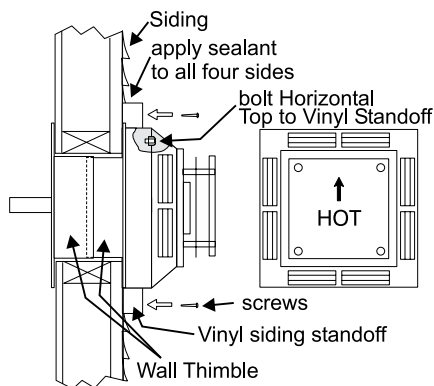


Diagram 5

Note: If installing termination on a siding covered wall, a vinyl siding standoff or furring strips must be used to ensure that the termination is not recessed into the siding. The four wood screws provided should be replaced with appropriate fasteners for stucco, brick, concrete, or other types of sidings.

5. Before connecting the horizontal run of vent pipe to the vent termination, slide the black decorative wall thimble cover over the vent pipe, then slide the Wall Thimble over the vent pipe.
6. Slide the appliance and vent assembly towards the wall carefully inserting the vent pipe into the vent cap assembly. It is important that the vent pipe extends into the vent cap a sufficient distance so as to result in a minimum pipe overlap of 1-1/4 inches. Secure the connection between the vent pipe and the vent cap by attaching the two sheet metal strips extending from the vent cap assembly into the outer wall of the vent pipe. Use the two sheet metal screws provided to connect the strips to the pipe. Bend any remaining portion of the sheet metal strip back towards the vent cap, so it will be concealed by the decorative wall thimble cover. See diagram 6.

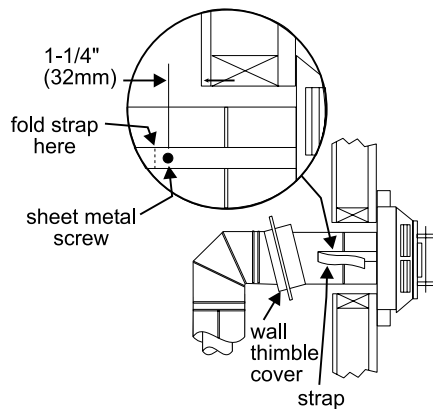


Diagram 6

7. Install the Wall Thimble in the center of the 10" square and attach with wood screws.
8. Slide the decorative wall thimble up to the wall surface being careful not to scratch the paint and attach with screws provided. Apply decorative brass or chrome trim if desired. See diagram 7.

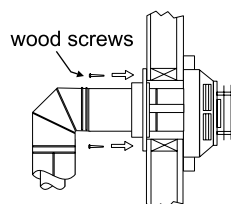


Diagram 7

Dura-Vent Vertical Terminations

1. Maintain the 1-1/4" clearances (air spaces) to combustibles when passing through ceilings, walls, roofs, enclosures, attic rafter, or other nearby combustible surfaces. Do not pack air spaces with insulation. Check the "Rigid Pipe Venting Arrangements" section for the maximum vertical rise of the venting system and the maximum horizontal offset limitations.
2. Set the gas appliance in its desired location. Drop a plumb bob from the ceiling to the position of the appliance flue exit, and mark the location where the vent will penetrate the ceiling. Drill a small hole at this point.

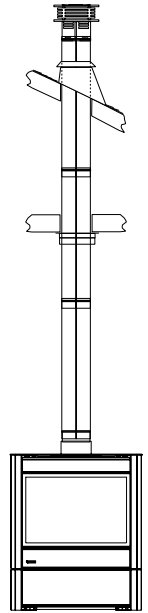


Diagram 8

Next, drop a plumb bob from the roof to the hole previously drilled in the ceiling, and mark the spot where the vent will penetrate the roof. Determine if ceiling joists, roof rafters or other framing will obstruct the venting system. You may wish to relocate the appliance or to offset, as shown in diagram 9 to avoid cutting load bearing members.

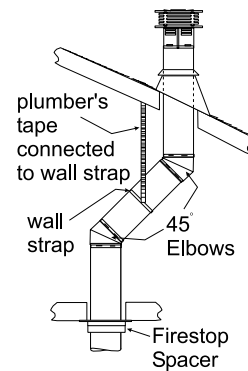


Diagram 9

3. To install the Round Support Box/Wall Thimble in a flat ceiling, cut a 10 inch square hole in the ceiling centred on the hole drilled in Step 2. Frame the hole as shown in diagram 10.

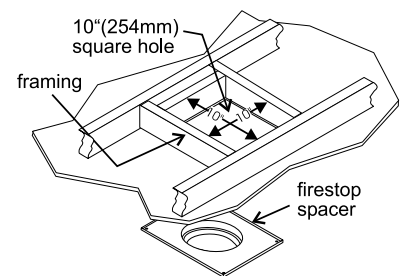


Diagram 10

Installation

- Assemble the desired lengths of black pipe and elbows necessary to reach from the appliance adaptor up through the Round Support Box. Insure that all pipes and elbow connections are in the fully twist-locked position and sealed.
- Cut a hole in the roof centred on the small drilled hole placed in the roof in Step 2. The hole should be of sufficient size to meet the minimum requirements for clearance to combustibles of 1-1/4". Slip the flashing under the shingles (shingles should overlap half the flashing) as per diagram 11.
- Continue to assemble pipe lengths.

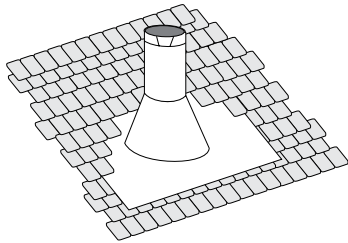


Diagram 11: The upper half of the flashing is installed under the roofing material and not nailed down until the chimney is installed. This allows for small adjustments.

Note: If an offset is necessary in the attic to avoid obstructions, it is important to support the vent pipe every 3 feet, to avoid excessive stress on the elbows, and possible separation. Wall straps are available for this purpose. See diagram 7.

Galvanized pipe and elbows may be utilized in the attic as well as above the roofline. The galvanized finish is desirable above the roofline due to its higher corrosion resistance.

Continue to add pipe sections through the flashing until the height of the vent cap meets the minimum height requirements specified in diagram 12 or local codes. Note that for steep roof pitches, the vertical height must be increased. A poor draft, or down drafting can result from high wind conditions near big trees or adjoining roof lines, in these cases, increasing the vent height may solve the problem.

- Ensure vent is vertical and secure the base of the flashing to the roof with roofing nails, slide storm collar over the pipe section and seal with a mastic.

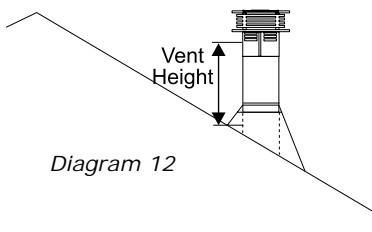


Diagram 12

Roof Pitch	Minimum Vent Height	
	Feet	Meters
flat to 7/12	2	0.61
over 7/12 to 8/12	2	0.61
over 8/12 to 9/12	2	0.61
over 9/12 to 10/12	2.5	0.76
over 10/12 to 11/12	3.25	0.99
over 11/12 to 12/12	4	1.22
over 12/12 to 14/12	5	1.52
over 14/12 to 16/12	6	1.83
over 16/12 to 18/12	7	2.13
over 18/12 to 20/12	7.5	2.29
over 20/12 to 21/12	8	2.44

- Install the vertical termination cap by twist locking it.

Notes:

a) For multistory vertical installations, a Ceiling Fire stop is required at the second floor, and any subsequent floor. Diagram 13. The opening should be framed to 10" x 10" inside dimensions, in the same manner as shown in diagram 10.

b) Any occupied areas above the first floor, including closets and storage spaces, through which the vertical vent passes, must be enclosed.

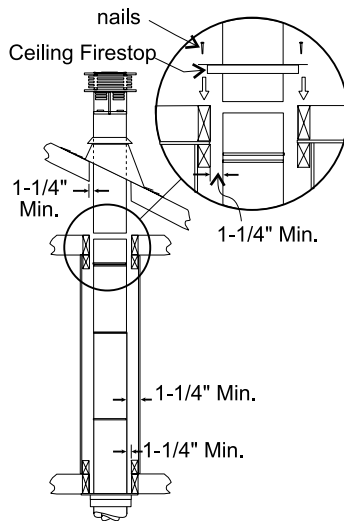
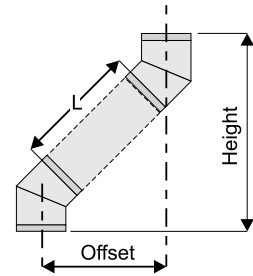


Diagram 13

Offset Chart

GS 6" (152mm) Nominal Diameter ID					
Offset		Pipe Length (L)		Height	
inches	mm	inches	mm	inches	mm
4 3/4	121	0	0	13 1/4	337
9	229	6	152	17 1/2	445
11 1/4	286	9	229	19 1/2	495
13 1/4	337	12	305	21 3/4	552
21 3/4	552	24	610	30 1/4	768
30 1/4	768	36	914	39	991
38	965	48	1219	47	1194



Cathedral Ceilings

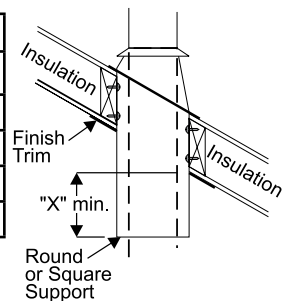
Round Support (RDS) & Square Support (SQS)

If your home has a cathedral ceiling (no attic space between the ceiling and the roof), install the chimney and support as follows.

- Situate the chimney in a convenient location as near as possible to the appliance outlet. Cut and frame a hole in the roof for the support. The sides of this hole must be vertical with 1 1/4" clearance.
- Place the support in the opening. Lower it to the correct height as determined by the table and diagram below.

Using a level, make sure the support is vertical.

Slope	"X"
0/12-2/12	4"
2/12-7/12	5-1/2"
7/12-12/12	6-3/4"
12/12-24/12	7-1/2"
24/12+	12-1/2"



If the support extends above the roof, cut it flush with the top of the roof. Nail the support to the frame opening using (8) 3" spiral nails or #8 x 1-1/2" screws.

Note: If you are using a 6" square support you may find it difficult to screw it in place because it is fairly small inside.

Simpson Dura-Vent has provided angle brackets with this support which can be screwed to the outside of the support box and nailed to surrounding framing as required. Use a minimum of four #8 x 1/2" screws per bracket. In some cases these brackets may need to be trimmed (e.g.: to fit under a flashing). Place the Finish Collar around the support and fasten it to the ceiling using the screws provided.

- Use appropriate roof flashing. Place the flashing under the upper shingles and on top of the lower shingles approximately half of the flashing should be under the shingles.
- Assemble the desired lengths of Black Pipe and Elbows necessary to reach from the appliance adaptor up through the support box and flashing to proper height as per Dia. 12, local codes or the "Rigid Pipe Venting Arrangements" section. Ensure that all pipe and elbow connections are in their fully twist lock position.
- Ensure vent is vertical and secure flashing to the roof with roofing nails. Slide the storm collar over the pipe section and seal with a mastic.
- Twist lock the vent cap on to the last section.

Support Extensions - Round (RDSE) or Square (SQSE)

Steep pitched cathedral ceilings may require the use of a support extension. This piece fits down inside the support and can be adjusted to increase the support's length by up to 22". The extension is attached to the support using the eight metal screws provided. Be sure there is at least a 2 inch overlap where the extension joins the support.

General

Prior to installation and connection of the vent system to a Class A chimney, the chimney must be inspected and thoroughly cleaned by a qualified service person, such as a certified chimney sweep or home inspection service.

The direct vent system must not be connected to a damaged Class A chimney.

For Class A chimneys cleanout doors and caps or plugs for cleanout tee fittings and ash dumps shall be secured in place and sealed before installing a Direct Vent system within the chimney.

If the appliance shuts off during operation, contact a qualified service person to determine if a negative pressure and/or leaky chimney condition exists. Do not operate the appliance until the problem is corrected.

- Remove the existing chimney cap.
- Measure the distance from the top end of the chimney to the bottom of the ceiling support box, add 3" (76mm) to this measurement, and cut a section of the 4" flex pipe to that length (the flex should already be extended to its nominal length).

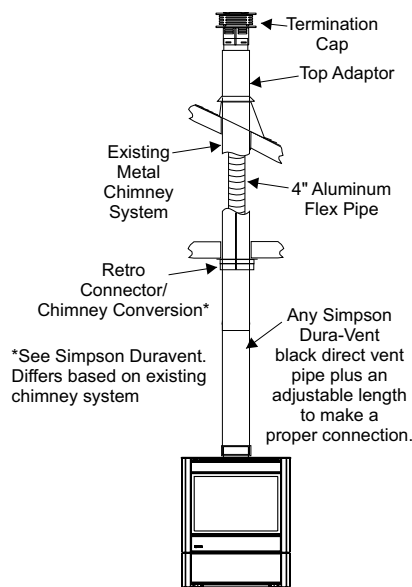


Diagram 1

- Connect the end of the flex pipe section to the underside of the Top Adaptor using 3 sheet metal screws. Diagram 2.
- Pass the flex pipe down through the center of the chimney system, and center the adaptor on the top of the chimney pipe. Drill four 1/8" diameter holes through the adaptor and into the chimney top. Insure that you are in fact, drilling into the metal on the chimney. Twist-lock the Termination Cap onto the Adaptor. (Diagram 3 and 4).

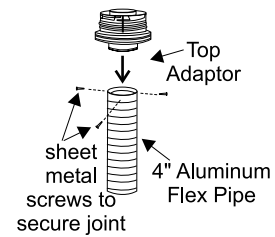


Diagram 2

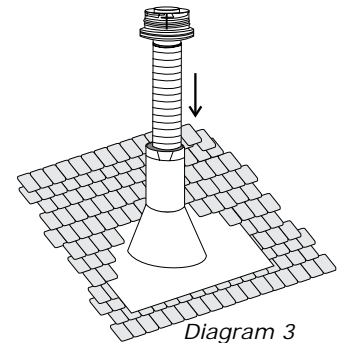


Diagram 3

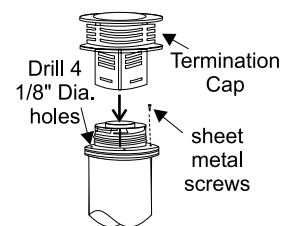


Diagram 4

- Pull the flex pipe down through the ceiling support box, until it protrudes approximately 3" (76mm). Connect the flex pipe to the Retro Connector by slipping it into the 4-3/4" diameter sleeve on the top side of the Connector. Use 3 sheet metal screws to assemble these two parts.
- Push the flex pipe back up into the ceiling support box, center the Retro Connector, and attach it to the support box, or decorative sleeve for double wall solid packed pipe, with the sheet metal screws (supplied). The holes in the Retro Connector are pre-punched. Diagram 5.

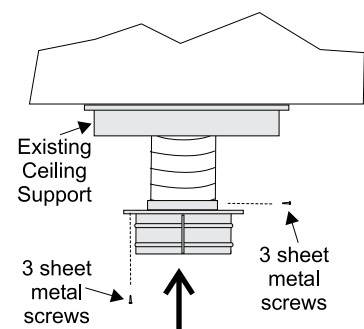


Diagram 5

- The connection between the appliance and the Retro Connector may be completed with sections of black direct vent pipe, together with an adjustable length.

Converting a Class-A Metal Chimney to a Direct Vent System

Approved for US Installations Only

The use of an existing chimney as an air intake is not covered under the ANSI Z21.88 test methods and the resulting ITS/WHI product certification. The code Authority Having Jurisdiction must be consulted prior to proceeding with this installation method.

Installation

System Data GS33	
Altitude for 0 to 4500 feet	
Burner Inlet Orifice Sizes:	
Natural Gas	Propane
Burner #32	#50
Max. Input	
Natural Gas	38,000Btu/hr
Propane	36,000Btu/hr
Min. Input	
Natural Gas	26,000Btu/hr
Propane	29,000Btu/hr
Max. Supply Pressure	
Natural Gas	14" w.c. (3.45 kPa)
Propane	14" w.c. (3.45 kPa)
Min. Supply Pressure	
Natural Gas	5" w.c. (1.25 kPa)
Propane	11" w.c. (2.74 kPa)
Manifold Pressure - High	
Natural Gas	3.5"
Propane	10"
Manifold Pressure - Low	
Natural Gas	1.6"
Propane	6.4"
Electrical: 115V_60Hz.less than 2 AMP	
Circulation: Variable speed fan, 125/75 CFM.	
Log Set: Ceramic fiber, Oak/Birch 10 per set,	
Driftwood 8 per set.	

Gas Connection

The gas connection is a 3/8" NPT nipple at the rear of the appliance. The gas line can be rigid pipe or to make installation easier, use a listed flexible connector and/or copper tubing if allowed by local codes. Since some municipalities have additional local codes it is always best to consult with your local authorities, state and/or national installation codes.

For USA installations follow local codes and/or the current National Fuel Gas Code, ANSI Z223.1.

When using copper or flex connectors use only approved fittings. Always provide a union so that gas lines can be easily disconnected for burner and/or valve servicing. Flare nuts for copper lines and flex connectors are usually considered to meet this requirement.

NOTE: A shutoff valve should be supplied in r near the unit (or as per local codes) for ease of servicing this appliance.

Important: Always check for gas leaks with a soap and water solution or gas leak detector. Do not use open flame for leak testing.

Note: Prior to any pressure testing of the gas supply piping system that exceeds test pressures of 1/2 psig, this appliance must be disconnected from the piping system. If test pressures equal to

or less than 1/2 psig are used then this appliance must be isolated from the piping system by closing its individual manual shut-off valve during the testing.

High Elevation

When an appliance is installed at elevations above the maximum elevation option provided, the input rate shall be reduced or air shutter opened further. For altitudes above 4500' the input rate shall be reduced at the rate of 4% for each additional 1000 ft (300 m). The input rate shall be reduced from the rate indicated for the highest altitude option provided.

This is to accurately adjust the input ratings of appliances certified for high altitude to ensure proper performance. The rated output of gas-burning appliances decreases with higher altitudes due to the reduction in atmospheric pressure. At higher elevations, and as an alternative, air shutter settings may have to be opened more to compensate for the lack of air.

Gas Pipe Pressure Testing

The appliance must be isolated from the gas supply piping system by closing its individual manual shut-off valve during any pressure testing of the gas supply piping system at test pressures equal to or less than 1/2 psig. (3.45 kPa). Disconnect piping from valve at pressures over 1/2 psig.

The manifold pressure is controlled by a regulator built into the gas control, and should be checked at the pressure test point.

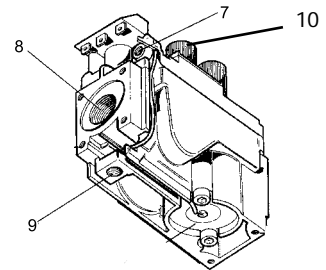
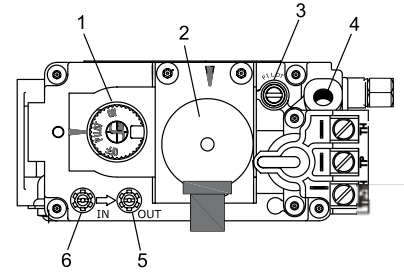
Note: To properly check gas pressure, both inlet and manifold pressures should be checked using the valve pressure ports on the valve.

1. Make sure the valve is in the "OFF" position.
2. Loosen the "IN" and/or "OUT" pressure tap(s), turning counter clockwise with a 1/8" wide flatscrewdriver.
3. Attach manometer to "IN" and/or "OUT" pressure tap(s) using a 5/16" ID hose.
4. Light the pilot and turn the valve to "ON" position. Read manometer.
5. The pressure check should be carried out with the unit burning and the setting should be within the limits specified on the safety label.
6. When finished reading manometer, turn off the gas valve, disconnect the hose and tighten the screw (clockwise) with a 1/8" flat screwdriver.

Note: Screw should be snug, but do not over tighten.

SIT Valve Description

1. Gas on/off knob
2. Optional Electronically Operated Hi/Lo
3. Pilot Adjustment
4. Thermocouple Connection - *option*
5. Outlet Pressure Tap
6. Inlet Pressure Tap
7. Pilot Outlet
8. Main Gas Outlet
9. Alternative TC Connection Point
10. Standard Manually Controlled Hi/Low



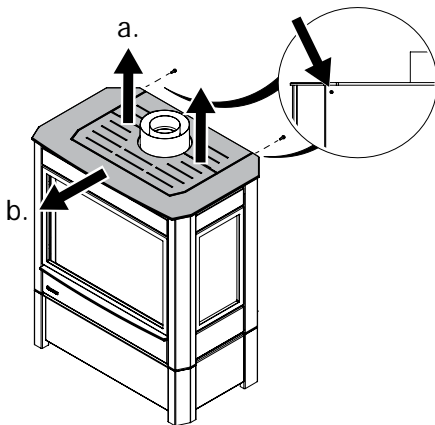
Conversion from NG to LP

**THIS CONVERSION MUST BE DONE BY A QUALIFIED GAS FITTER
IF IN DOUBT DO NOT DO THIS CONVERSION !!**

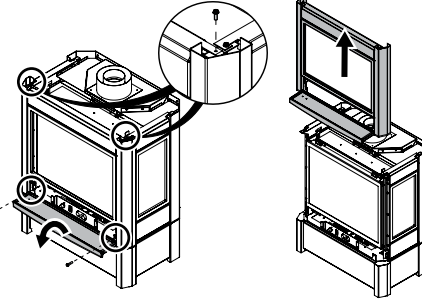
WARNING This conversion kit shall be installed by a qualified service agency in accordance with the manufacturer's instructions and all applicable codes and requirements of the authority having jurisdiction. If these instructions are not followed exactly, a fire, explosion, or carbon monoxide may result, causing property damage, personal injury, or loss of life. The qualified service agency is responsible for the proper installation of this kit. The installation is not proper and complete until the operation of the converted appliance is checked.

Conversion Kit #711-977 includes:		
1	905-046	Burner Orifice #50
1	910-037	Pilot Orifice #30
1	918-590	Decal - Conversion to LP
1	904-529	5/32" long Allen Key
1	908-528	Label Propane Red
1	920-926	LP Conversion Instructions

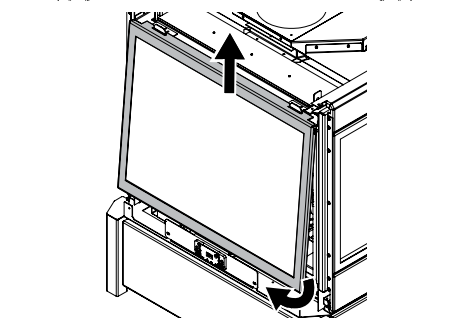
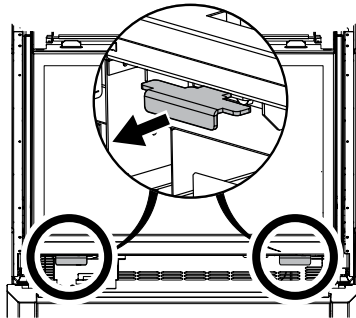
1. Turn the unit off and allow it to cool to room temperature.
2. Unplug or disconnect the stove power source.
3. Remove the safety screen and glass front.
 - a. Remove the unit's top front and rear pieces.
 - b. Remove the x2 screws at the back of the unit as shown. Proceed to remove the top front chamfered piece.



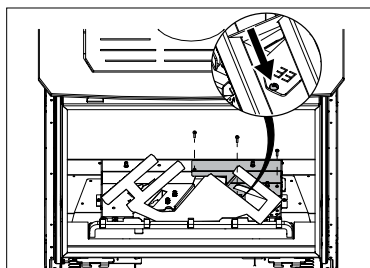
4. Remove the front frame/mesh screen assembly by removing the x2 screws at the top of the unit as shown. Open the front door and remove the x2 screws securing the rest of the assembly. Lift up and towards you and then put to the side. Lay on a blanket.



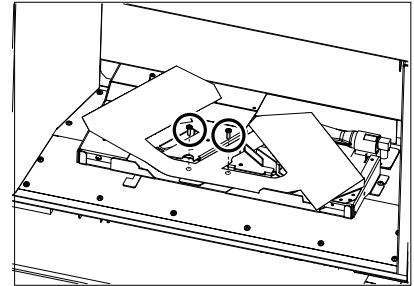
5. Remove the front glass door by pulling and disengaging the 2 spring latches securing the door. Carefully lift up the door to get access to the inside of the firebox. Put front glass door to the side and lay on a blanket.



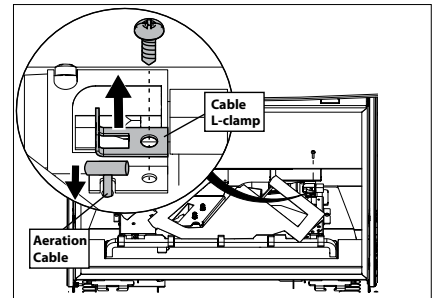
6. Remove the logs and inner panels (if installed).
7. Remove the right rear log bracket (3 screws).



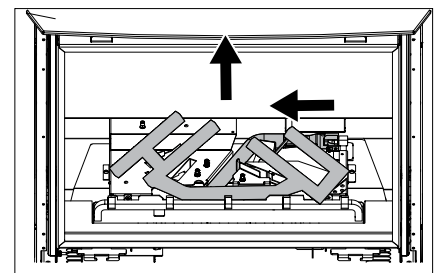
8. Remove the 2 burner screws as shown below.



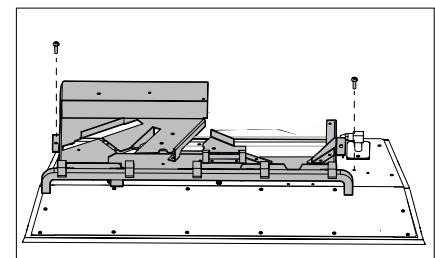
9. **IMPORTANT:** Remove the screw on the burner air shutter, which clamps the aeration cable. Keep the L-clamp bracket safely aside with the screw.



10. Carefully remove the burner.



11. Remove the burner tray (2 screws).



Installation

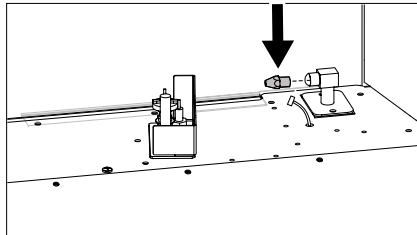
12. Pull off the pilot cap to expose the pilot orifice.



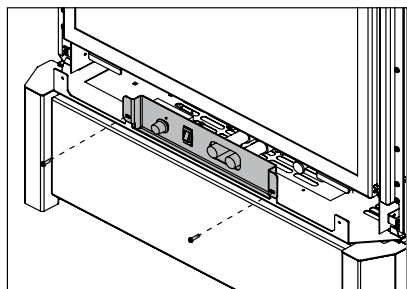
13. Unscrew the pilot orifice with the Allen key and replace with the LP pilot orifice in the kit and replace pilot cap.



14. Remove the #32 NG burner orifice with a 3/8" (10 mm) wrench and replace it with the #50 LP orifice in the kit. Use another wrench to support behind the elbow when removing/replacing the burner orifice.



15. Remove the control panel secured by x2 screws to the unit base. Set aside the control panel and get access to the valve. Remove the extension knobs.

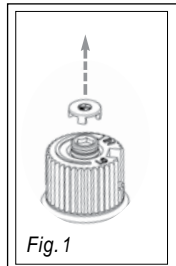


16. Turn the control knob to the "OFF" position.
17. Remove the hi/low extension knob by pulling towards you to expose the black protection cap.

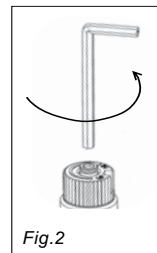
NOTE

If a Regency remote control (Part # 946-704) and a LP modulator (Part # 946-684) were purchased, Follow instructions that came with the LP modulator Part # 946-684. Once LP modulator has been installed, Proceed to step 26. If a remote control and LP modulator were not purchased proceed to steps 18-23.

18. Remove the black protection cap from the hi-low knob (Fig.1) by hand.

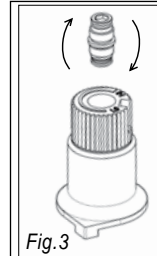


19. Insert a 5/32" or 4mm Allen wrench into the hexagonal keyway of the screw (Fig. 2); rotate it counter-clockwise until it is free and extract it.

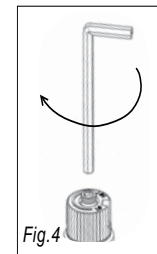


20. Check that the screw is clean.

21. Flip the screw (Fig. 3).

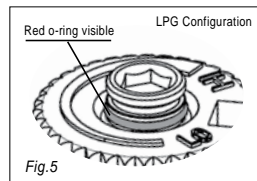


22. Using the Allen wrench as shown in Fig.4, rotate the screw clockwise until snug; do not overtighten.

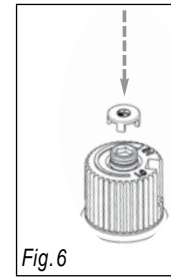


WARNING Do not over tighten the screw. Recommended to grip the wrench by the short side.

23. Verify that if the conversion is from NG to LP. The screw must be reassembled with the red o-ring visible (Fig. 5).



24. Reassemble the black protection cap (Fig. 6).



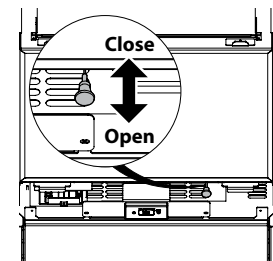
WARNING Also check that the pilot and main burner injectors are appropriate for the gas type.

25. Reinstall the control panel removed in step 15. Also, reverse steps 11 to 3 to reinstall the burner tray, burner, inner panel, logs, media, front glass door, front frame assembly and unit tops.

26. Attach the "This unit has been converted to LPG" label near or on top of the serial decal.

27. Replace the yellow "Natural Gas" label with the red "LPG" label.

28. Adjust the aeration settings. The aeration adjustment knob is located behind the control panel on the right side of the unit. Pushing the knob in will close the air shutter and pulling it out will open it. Propane : Fully open



29. Start the appliance (see the "Lighting Instructions" section in this manual). Ensure that pilot and burner ignition are completed without delay. Check your inlet and outlet pressures at full load. With a soapy solution, leak test the entire system. Verify correct flame and pilot appearance.

Installer Notice:
These instructions must be left with the appliance.

Aeration Adjustment

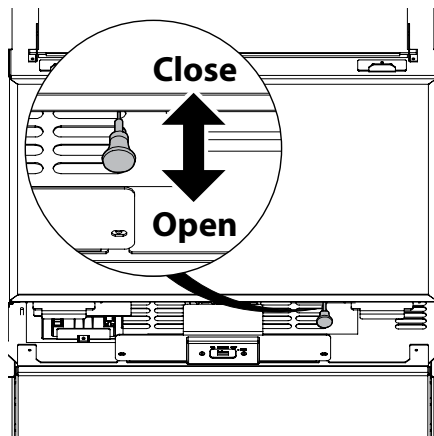
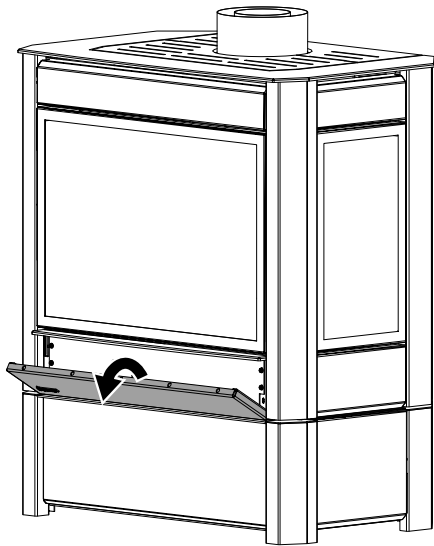
The burner aeration is factory set but may need adjusting due to either the local gas supply or altitude.

Natural Gas: 1/4" (6 mm) open

Propane: Full open

The aeration adjustment knob is located behind the control panel on the right side of the unit. Pushing the knob in will close the air shutter and pulling it out will open it.

**WARNING: DO NOT ADJUST. FOR INITIAL INSTALLATION ONLY.
USED BY THE INSTALLER ONLY.
CARBON/SOOTING WILL BE PRODUCED IF NOT SET CORRECTLY.**



Installation

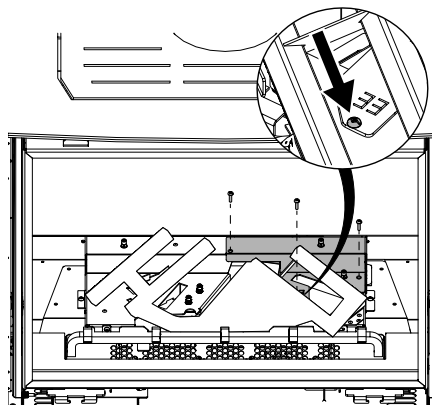
Panel Installation

These instructions are for use with the following products:

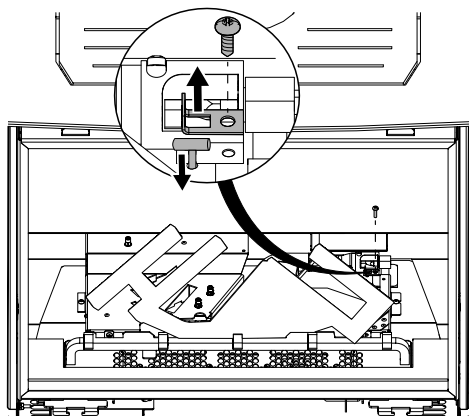
Part #	Description
711-905	Fluted Panel
711-908	Enamel Enamel

- NOTES**
- Fluted/steel/enamel panels may discolor a little during operation. This is normal and should not be considered a defect.
 - Enamel Panels: Black enamel panels must be inspected for scratches and dimples prior to installation. All claims are to be recorded at this time. Claims for damage after installation will not receive consideration.
 - * All hand and fingerprints **MUST** be cleaned off with a soft cloth. Use an ammonia-based cleaner (ie. glass cleaner) to remove any fingerprints before applying heat to the unit. Failure to do this will result in burn stains on panels which you will be unable to remove. Not protected by product warranty.
 - Note: Do not install the media, vermiculite, embers, and logs until any inner panels are installed.

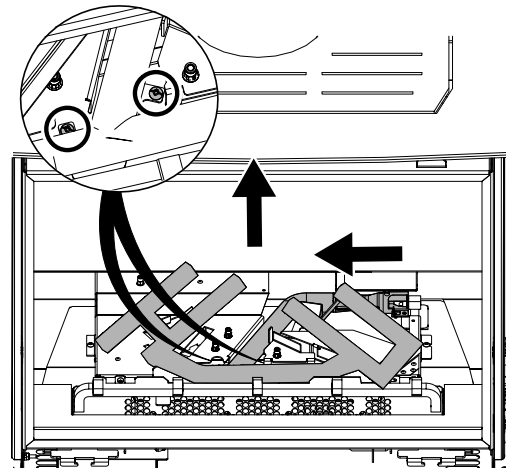
1. Follow steps below to remove the original steel panel from the box.
2. Turn the unit off and allow it to cool to room temperature.
3. Unplug or disconnect the stove power source.
4. Remove the safety screen and glass front (see manual). Also remove log set if installed (see manual).
5. Remove the right rear bracket as shown by removing 3 screws. See below.



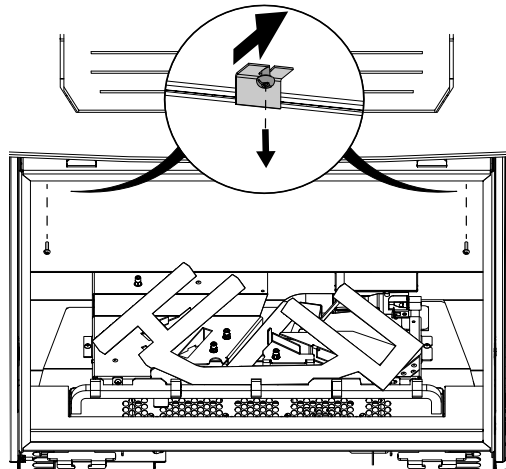
6. Remove the screw on the burner air shutter, which clamps the aeration cable. Keep the L-clamp bracket safely aside with the screw.



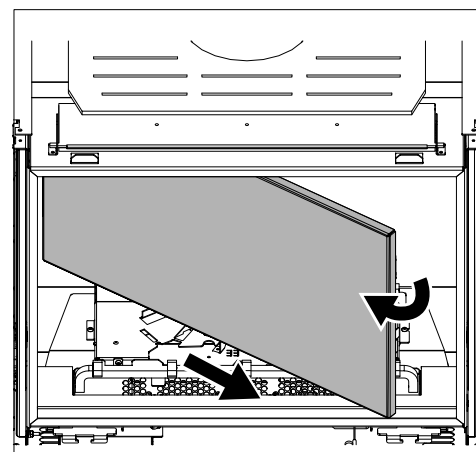
7. Remove the two screws at the front of the burner and slide out the burner.



8. Loosen the screws securing the left and right panel brackets. Remove the panel brackets. NOTE: The panel may fall forward once the brackets are removed.



9. Rotate one side of the rear panel out and remove the installed steel panel. The steel panel may be recycled.



10. Reverse steps to install the new fluted or enamel panel.

Oak and Birch Log Set Installation (Part #311-931, 311-933 & 311-934)

IMPORTANT Read the instructions below carefully and refer to the images. If the logs are broken, do not use the unit until they are replaced. Improper positioning of the logs and may create carbon build-up and can alter the unit's performance. Issues caused by improper log positioning are not covered under warranty.

Prior to installing the log set, if purchased, install the optional fluted or enamel panels.

These instructions are for use with the following products:

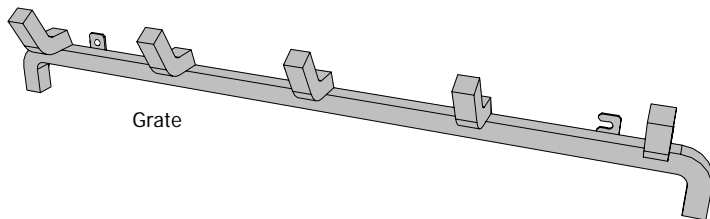
Part #	Description
311-931	Log Set Birch
311-933	Log Set High Definition Oak
311-934	Log Set Oak

This log set includes:

1	Rear log
2	Rear left log
3	Rear right log
4	Rear left center log
5	Rear right center log

6	Front left log
7	Front centre log
8	Front right Log
9	Top right log
10	Top left log

Accessories:
1 bag of Andriron embers
1 bag of vermiculite black sea wool
1 bag of 3/4" crushed glass
1 bag of black/white embers
1 Log Grate

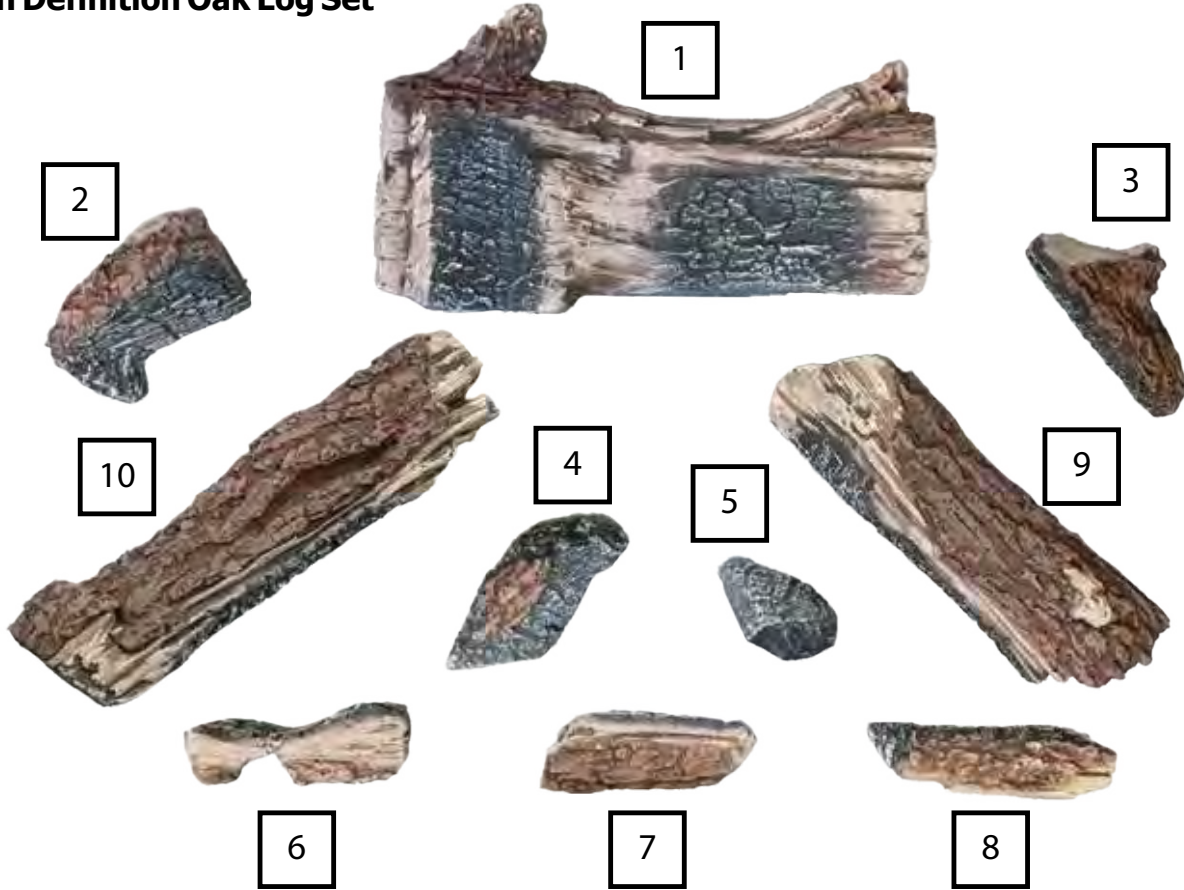


Birch Log Set



Installation

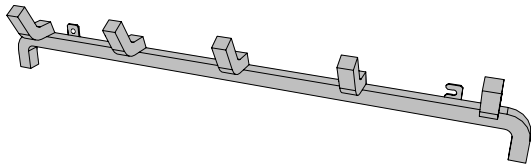
High Definition Oak Log Set



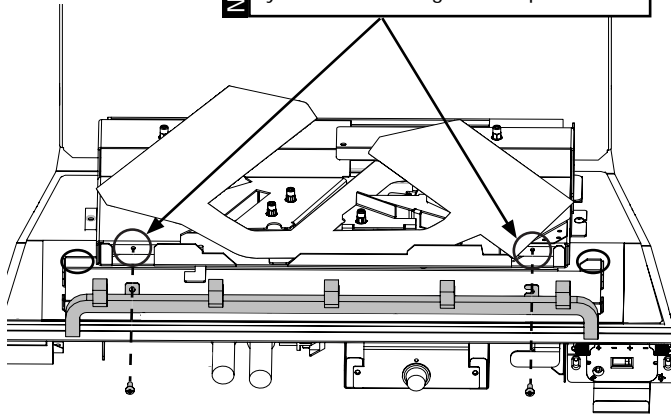
Oak Log Set



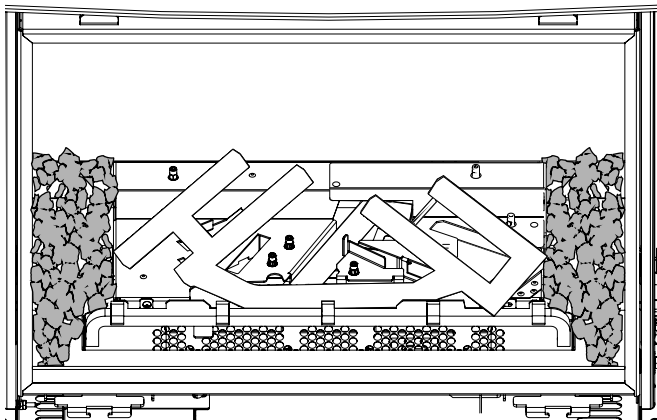
- Carefully remove the logs from the box and unwrap them. The logs are fragile - handle with care, and do not force them into position.
- Install the log grate with the two screws provided.



NOTE The screws may need loosening before you can slide the grate into place.



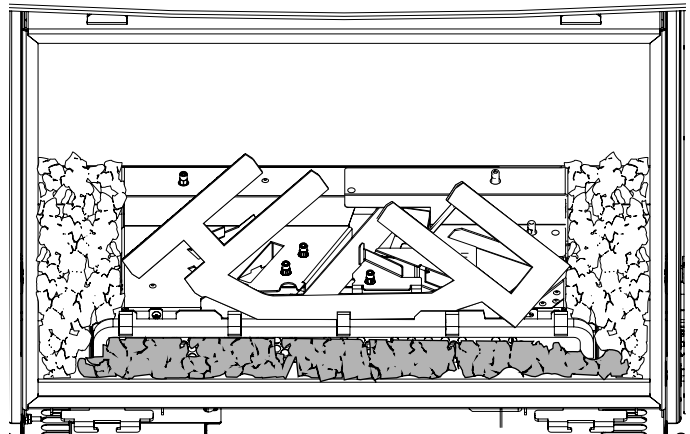
- Evenly disperse black embers on each side of the burner tray. Ensure the embers sit below the burner tray, so that they do not interfere with logs 2 & 3.



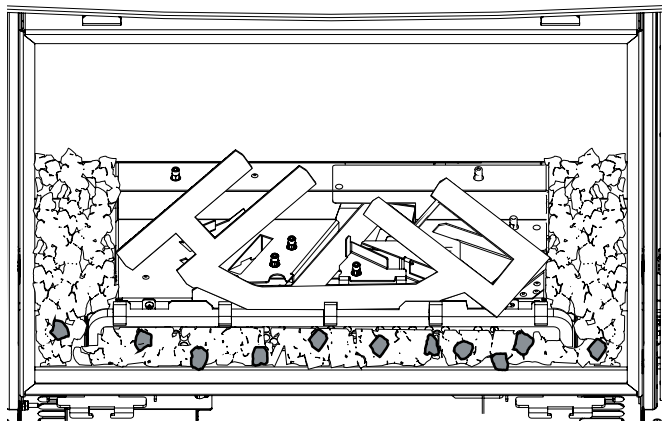
- Fill the media tray with the 3/4" glass, then scatter the black sea vermiculite on top. The glass can cover parts of the front brick panel.

NOTE

Not all media is used in the install, there will be leftover glass and embers.

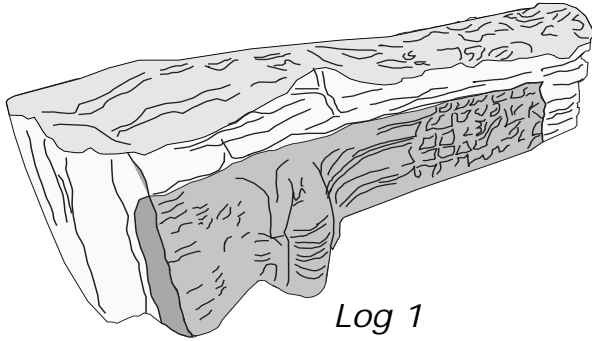


- Spread the black/white embers along the front panels. When logs 6, 7, and 8 are installed, ensure the embers are not preventing proper log placement. It is also possible to add the embers after all logs are placed.

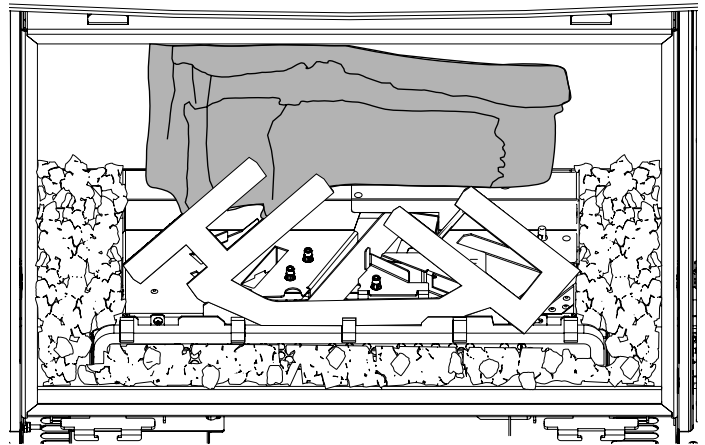


Installation

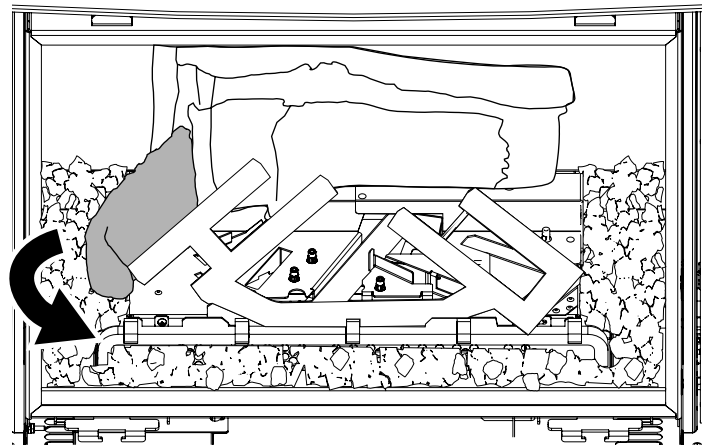
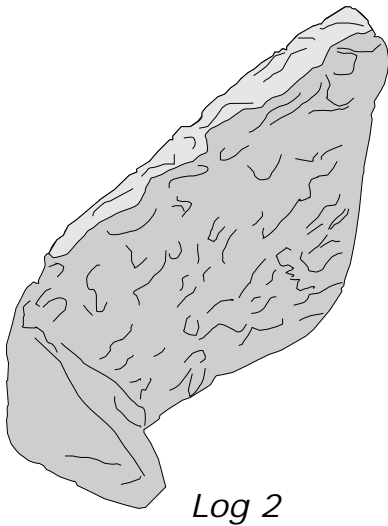
6. Carefully lay Log 1 on the two pins behind the burner. Make sure the left part of the log does not hit the left portion of the burner.



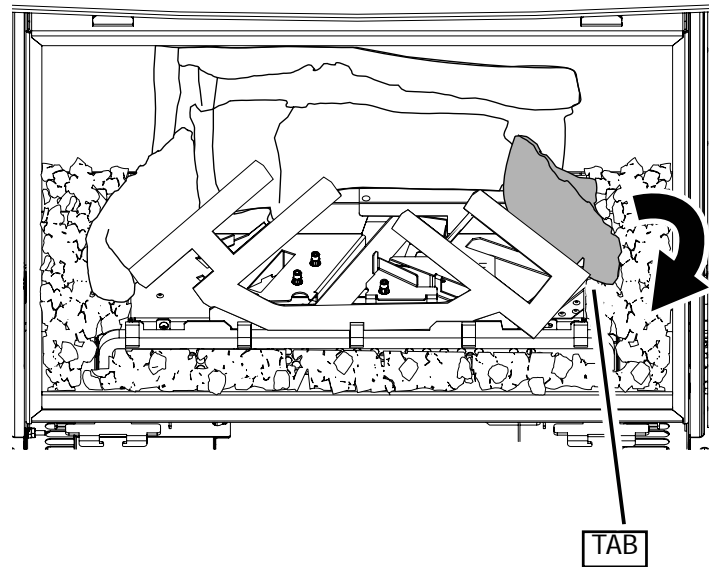
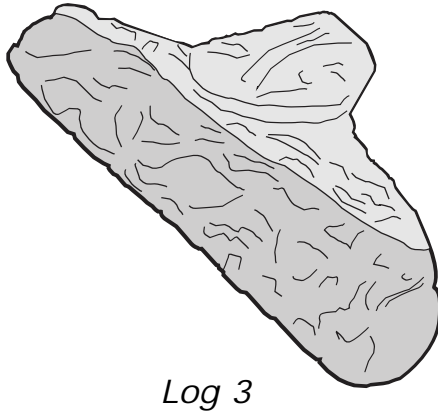
NOTE The Birch log set (311-931) will look slightly different than shown in the pictures, but the numbering is the same.



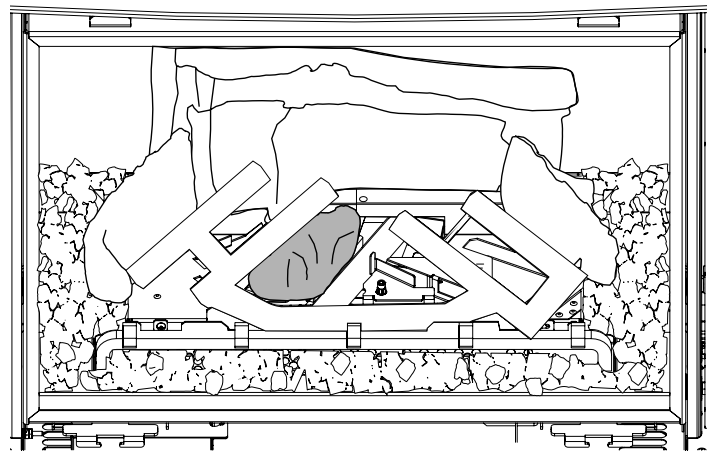
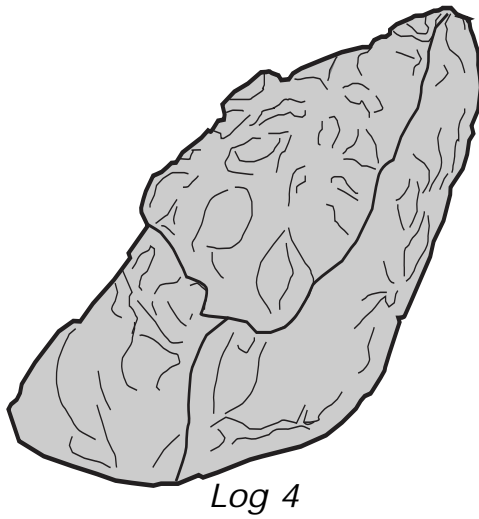
7. Place Log 2 behind the left portion of the burner, resting its right side in the notched area on Log 1. Rotate the front of Log 2 onto the metal flange and ensure it is resting directly on the tray, with no embers underneath.



8. Place Log 3 on the pin and rotate it until it touches the tab shown below. Ensure that Log 3 is resting directly on the tray with no embers underneath.

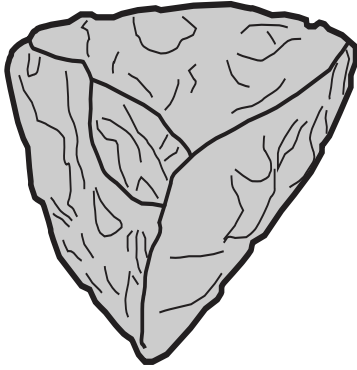


9. Place Log 4 on the two pins under the left burner.

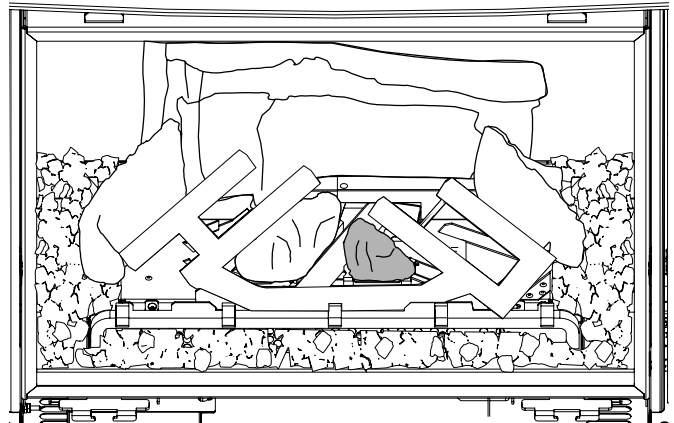


Installation

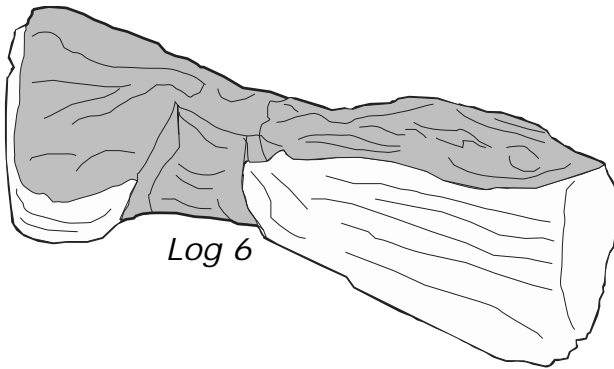
10. Place Log 5 on the pin under the right burner.



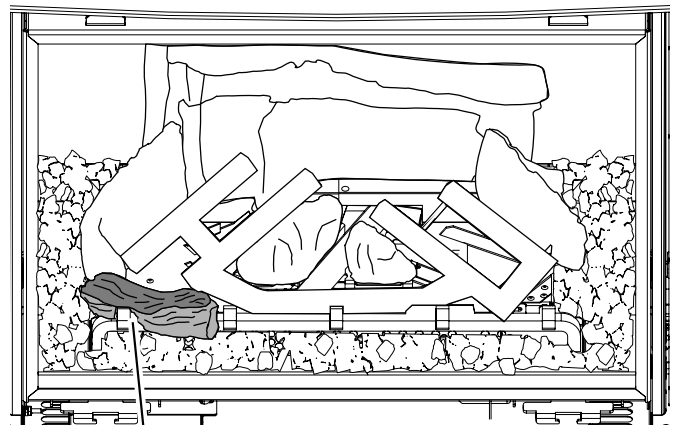
Log 5



11. Place Log 6 on the grate with the notch on the middle of the log sitting on the first grate bar and the flat section pointing up. Log 6 does not sit on the front panel - it rests on the tab next to the second grate bar. Ensure that there are no embers underneath the log.

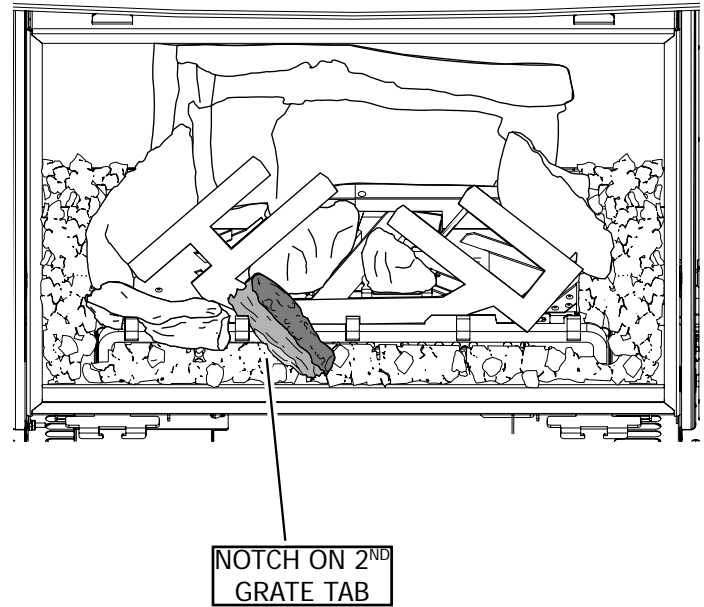
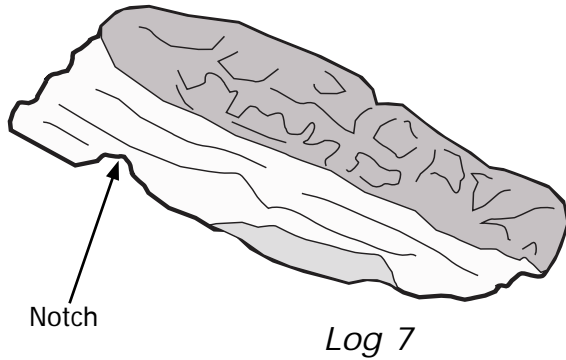


Log 6

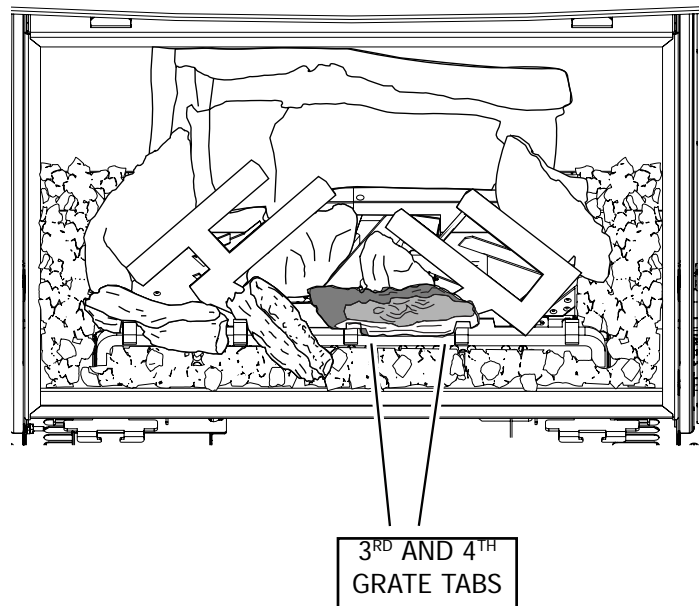
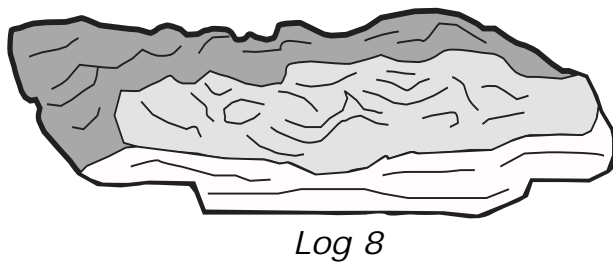


1st GRATE
BAR

12. Place Log 7 with the notch (shown below) resting on the upper right corner of the second grate bar. Rest the bottom right end of the log on the front panel, ensuring it does not protrude over the bottom edge of the firebox and that there are no embers underneath. This ensures Log 7 sits properly on the grate and does not interfere with the operation of the glass door.

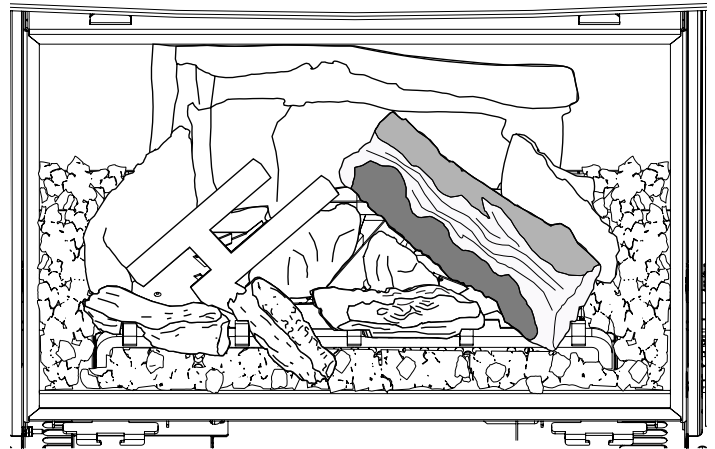
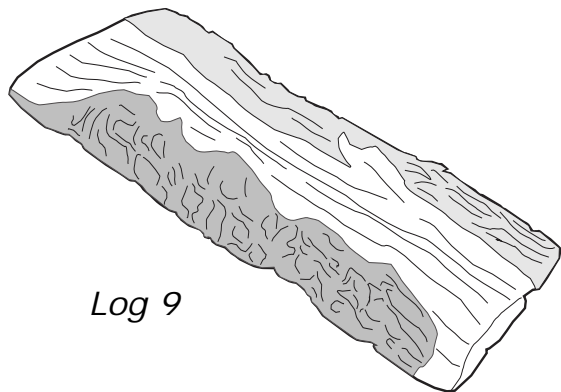


13. Place Log 8 between the third and fourth grate bar. The charred section at the top of the log faces the inside of the firebox.

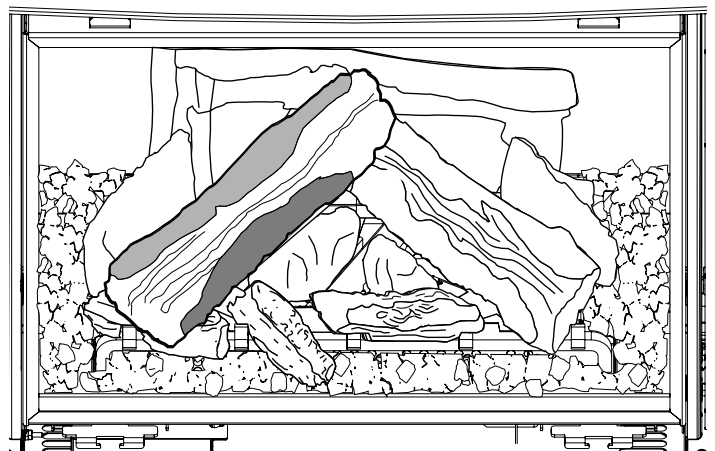
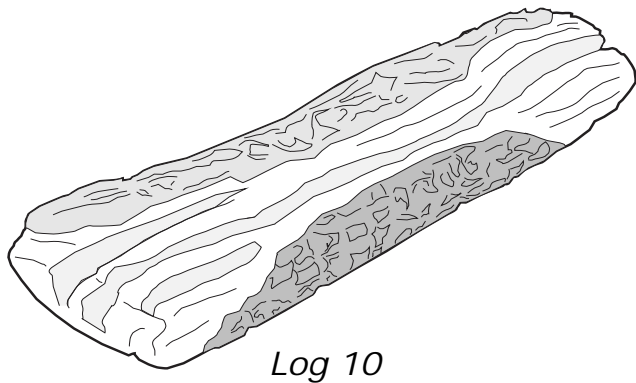


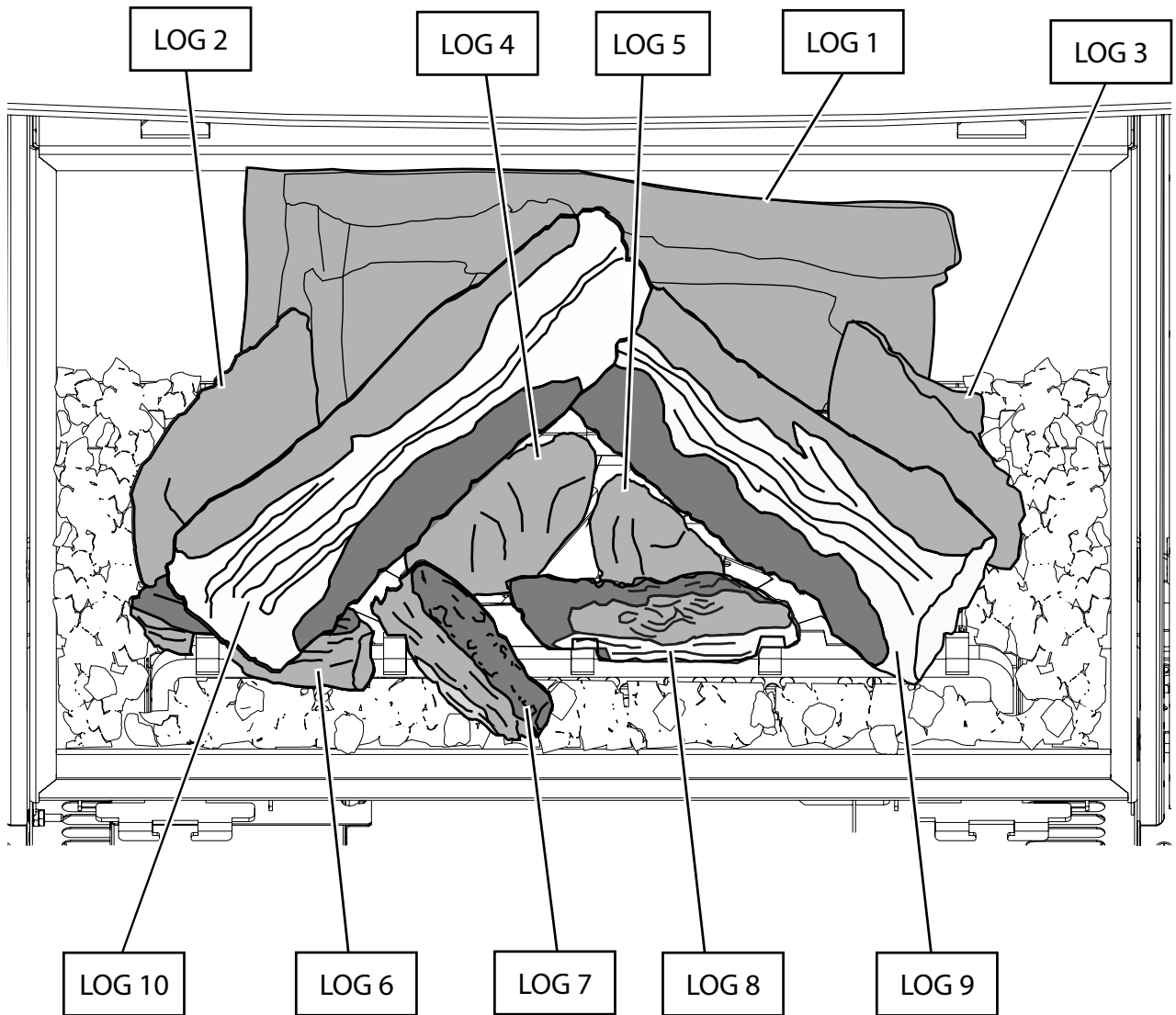
Installation

14. Place Log 9 on the right end of the burner. The log rests on the burner, not on the fifth grate bar.



15. Place Log 10 on the left side of the burner. Log 10 should not touch Log 6. Readjust the positioning of Log 6 if necessary, ensuring it is resting on the tab beside the second grate bar.





Final Placement

Installation

Driftwood Log Set Installation (Part #311-930/P)

IMPORTANT

Read the instructions below carefully and refer to the images. If the logs are broken, do not use the unit until they are replaced. Improper positioning of the logs and may create carbon build-up and can alter the unit's performance. Issues caused by improper log positioning are not covered under warranty.

Prior to installing the log set, if purchased, install the optional fluted or enamel panels.

This log set includes:

1	Rear Log
2	Rear Left Log
3	Rear Right Log
4	Rear Left Center Log
5	Rear Right Center Log

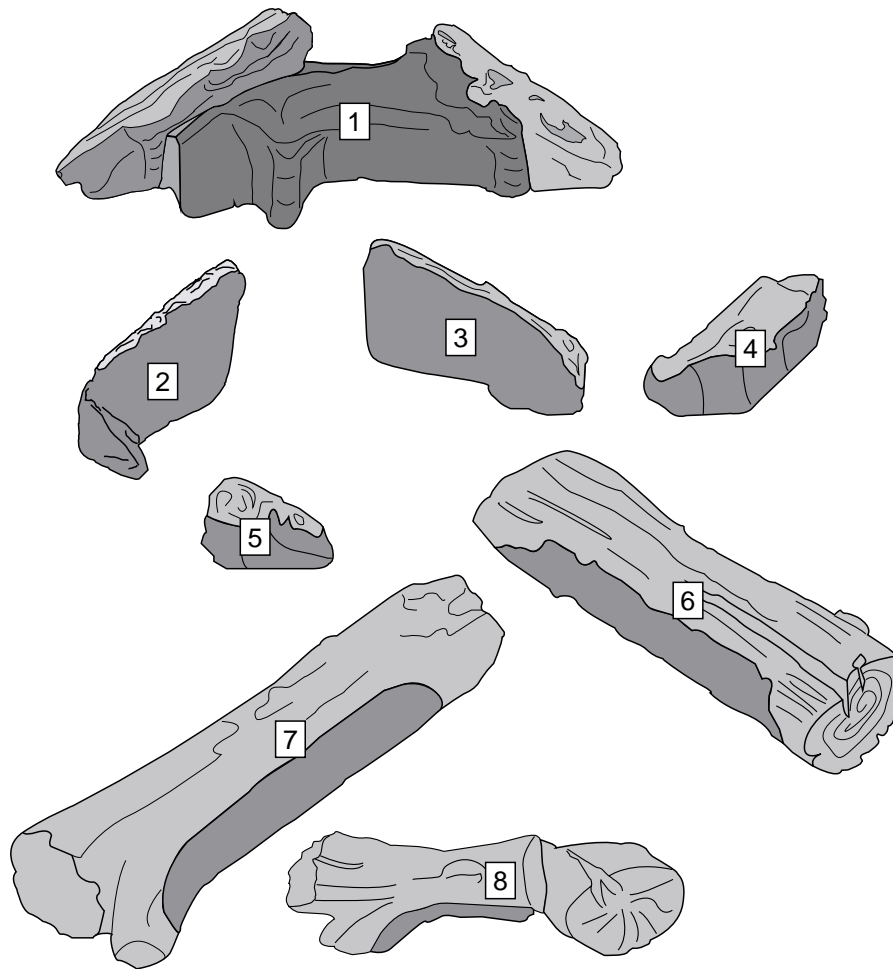
6	Top Left Log
7	Top Right Log
8	Front Log

Accessories:
1 box of Andirion embers
1 box of 3/4" crushed glass
1 Front Log Mount

NOTE

Remove the grate if installed prior to installing the Driftwood log set.

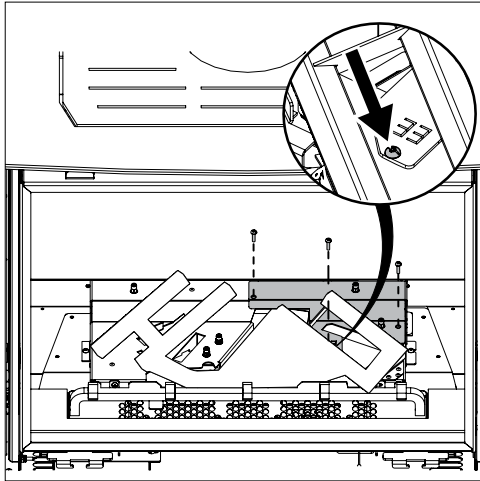
1. Carefully remove the logs from the box and unwrap them. The logs are fragile - handle with care, and do not force them into position.



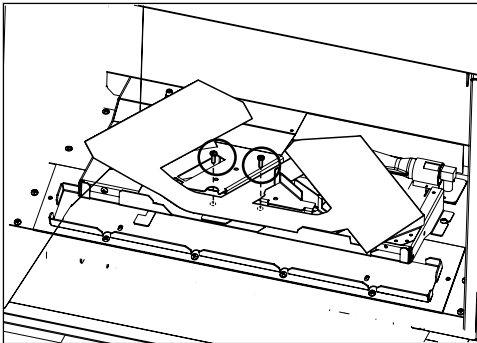
Front Log Mount



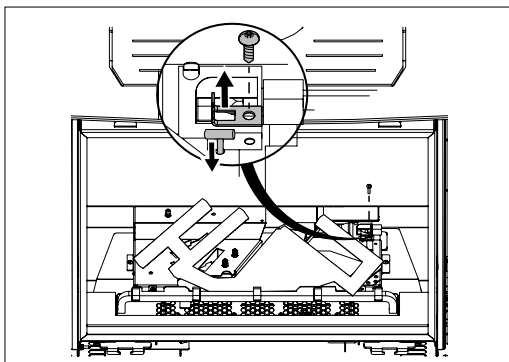
- Remove the safety screen and glass front (see manual) if not already removed.
- Remove the right bracket as shown below (3 screws).



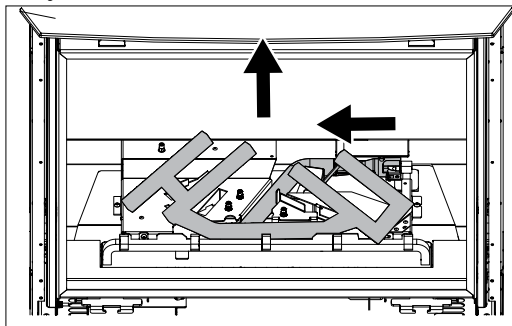
- Remove the two screws indicated.



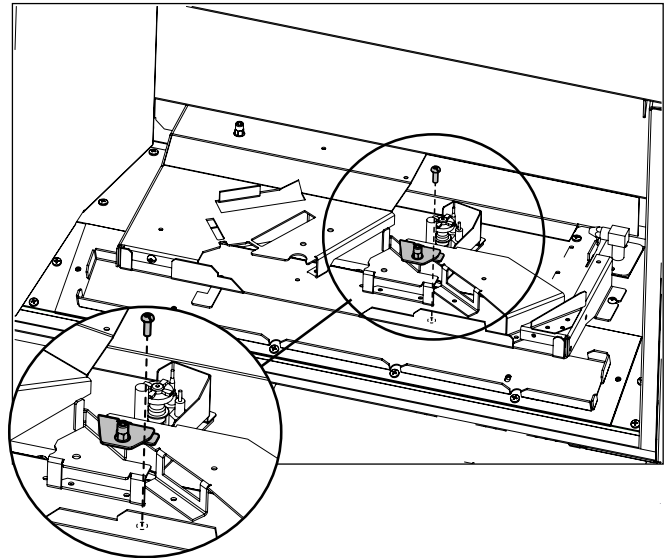
- Remove the screw on the burner air shutter which clamps the aeration cable. Keep the L-clamp bracket safely aside with the screw.



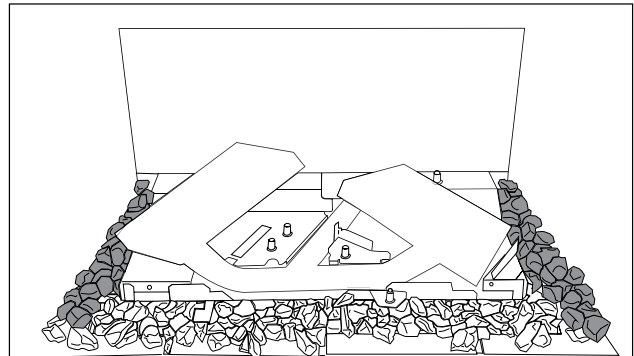
- Carefully remove the burner.



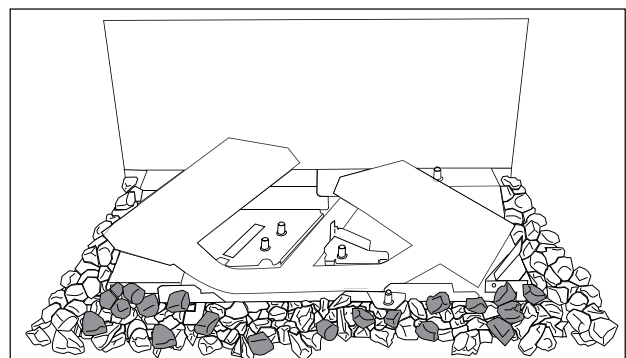
- Install the Front Log Mount with one screw as shown.



- Fill the outside of the burner Tray and around the glass tray with black embers as shown. Do not fill the sides of the firebox past the burner tray.



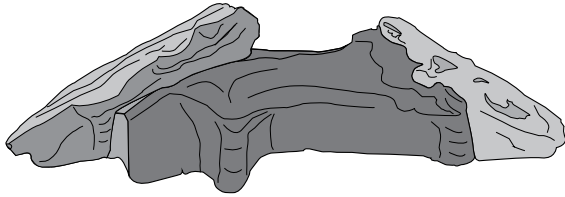
- Add more 3/4" glass and black embers and fill the rest of the firebox. Mixing the black embers and glass will create a more realistic look.



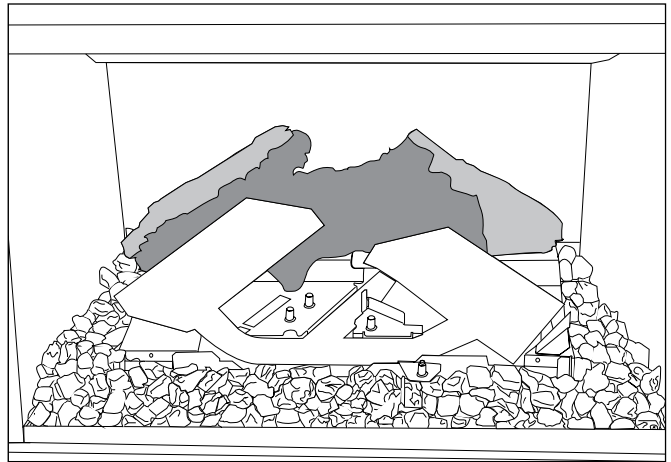
NOTE Not all media is used in the install, there will be leftover glass and embers.

Installation

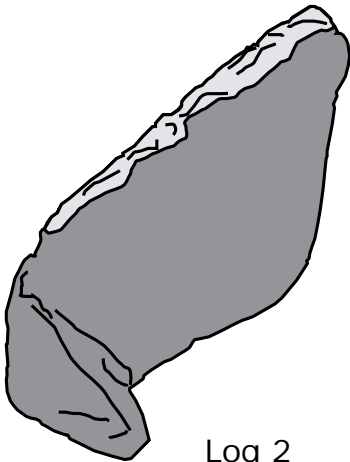
11. Carefully lay Log 1 on the two pins behind the burner. Make sure the left part of the log does not hit the left portion of the burner



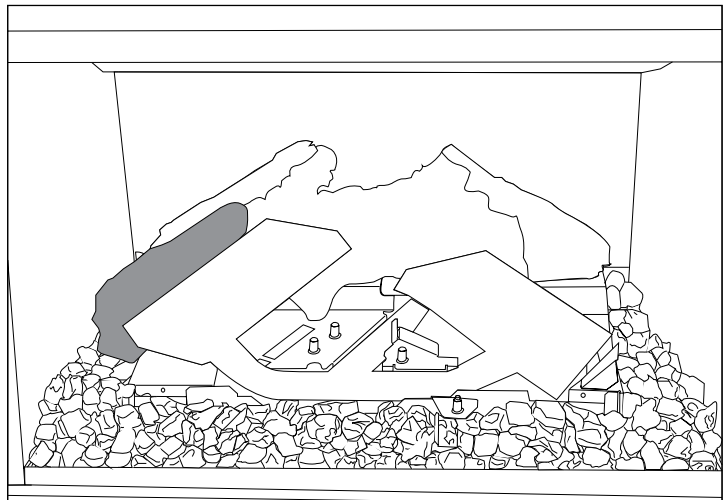
Log 1



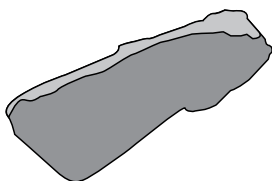
12. Place Log 2 behind the left portion of the burner, resting its right side in the notched area on Log 1. Rotate the front of Log 2 onto the metal flange and ensure it is resting directly on the tray, with no embers underneath.



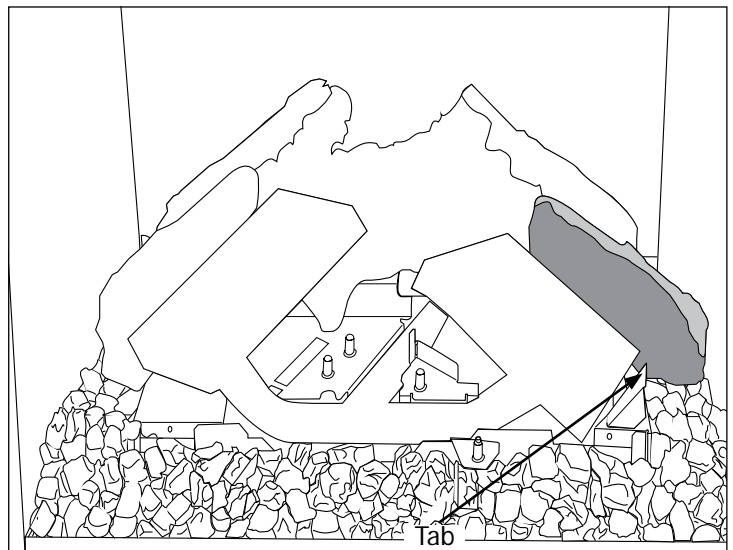
Log 2



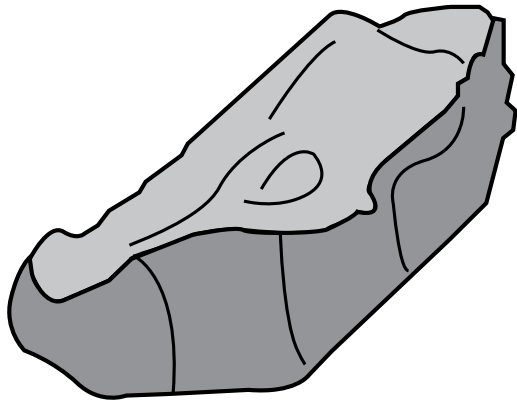
13. Place Log 3 on the pin and rotate it until it touches the tab shown below. Ensure that Log 3 is resting directly on the tray with no embers underneath.



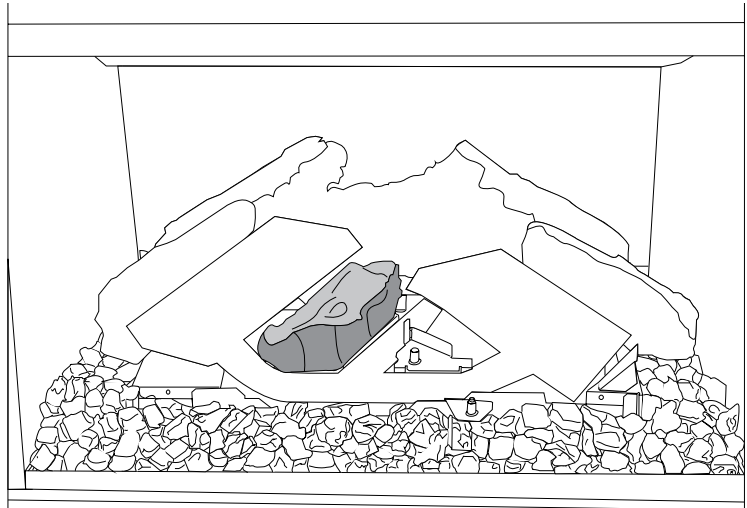
Log 3



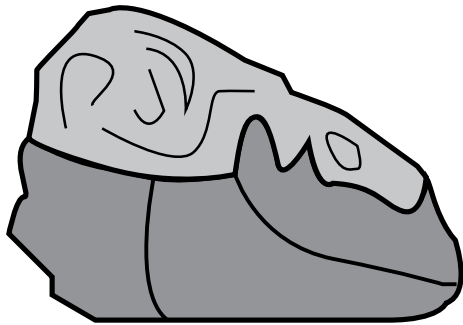
14. Place Log 4 on the two pins under the left burner.



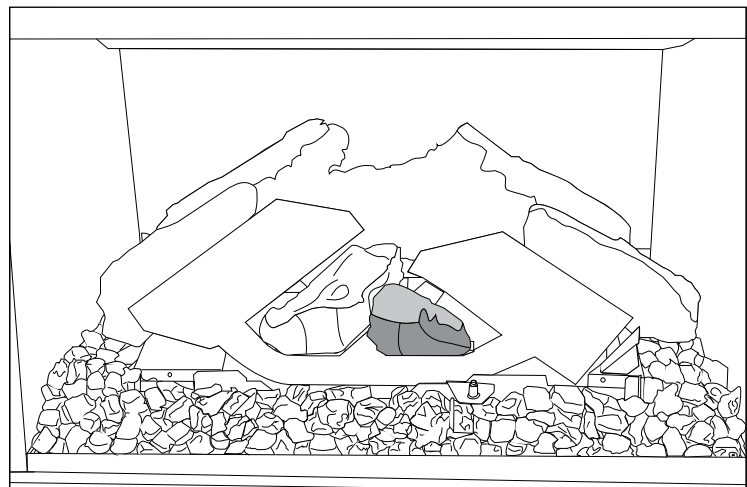
Log 4



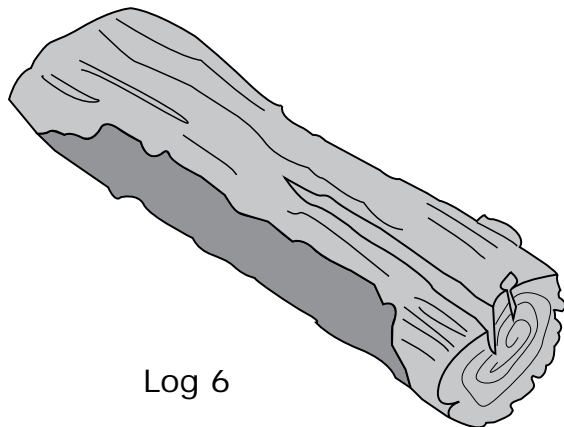
15. Place Log 5 on the pin under the right burner.



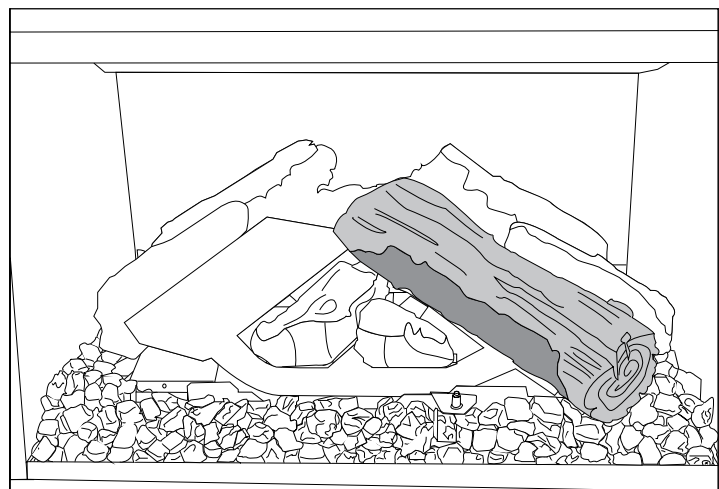
Log 5



16. Place Log 6 on the right end of the burner. The log rests on the burner.

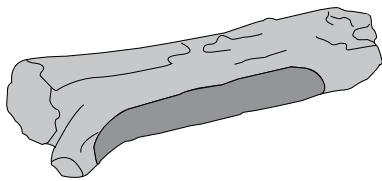


Log 6

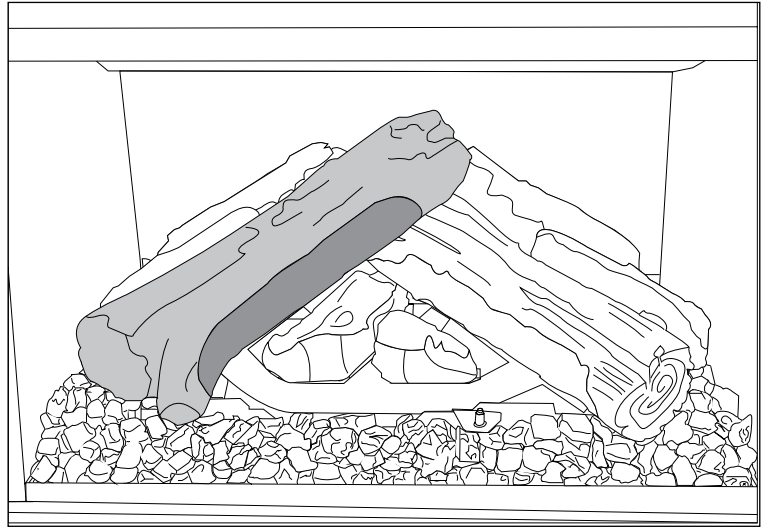


Installation

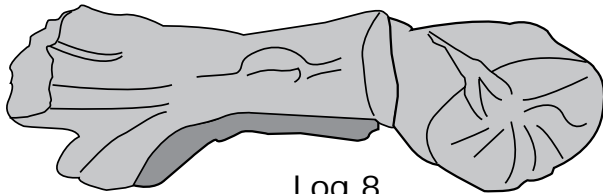
17. Place Log 7 on the left of the burner. The log rests on the burner.



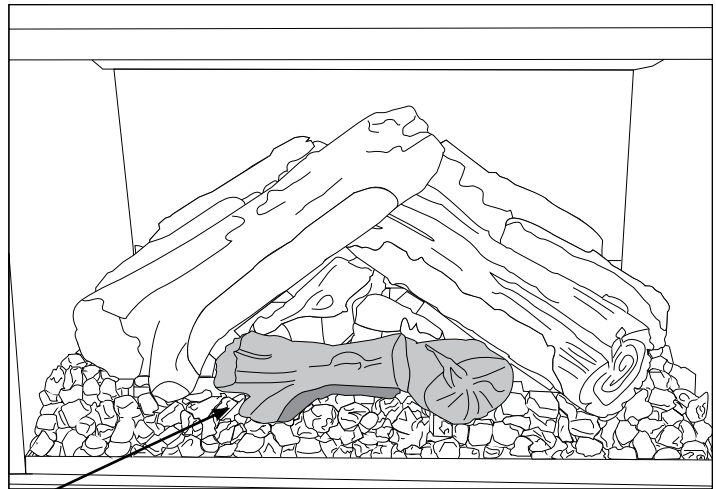
Log 7



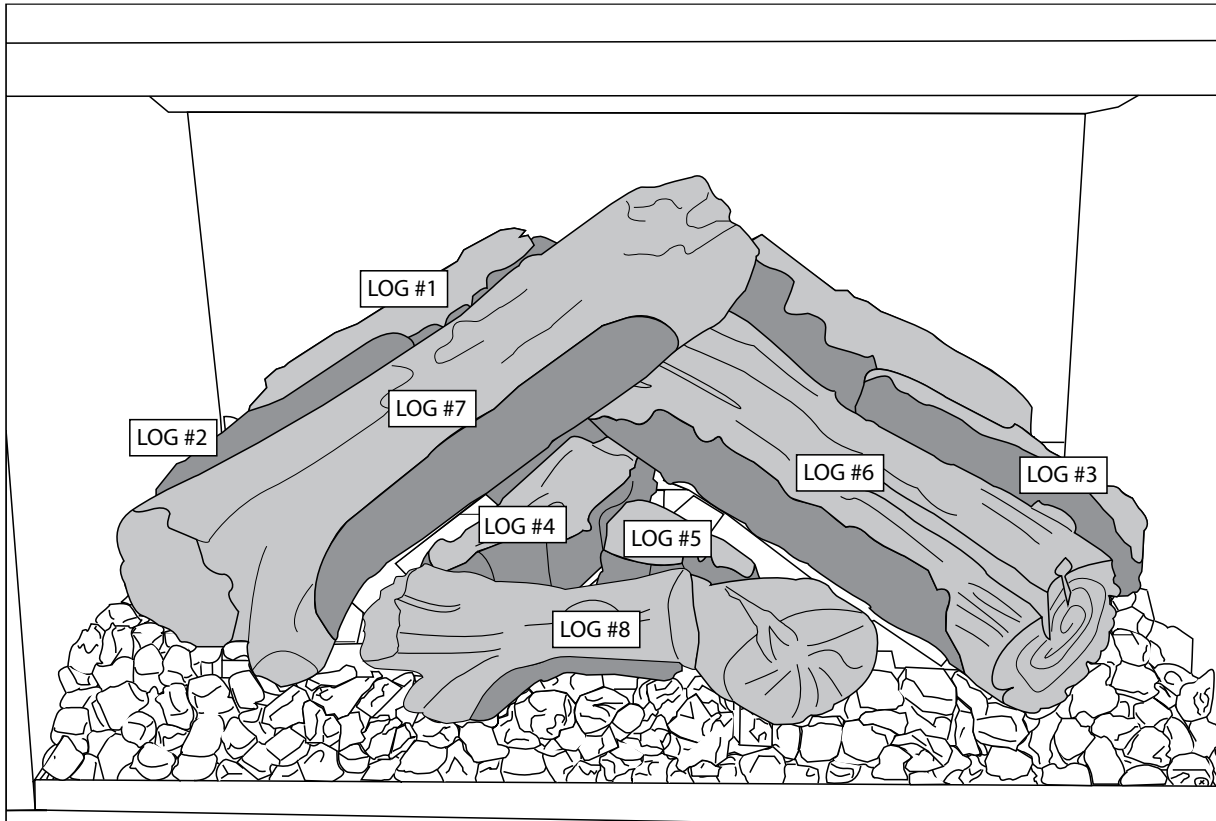
18. Place Log 8 on the pin on the front log mount. The other end will rest on the ember media.



Log 8



NOTE:
IGNORE TAB UNDER BURNER TRAY, THIS IS
UTILIZED ON THE OAK/BIRCH LOG SET. COVER
TAB WITH EMBER OR GLASS MEDIA.



Final Placement

Installation

Wiring Diagrams

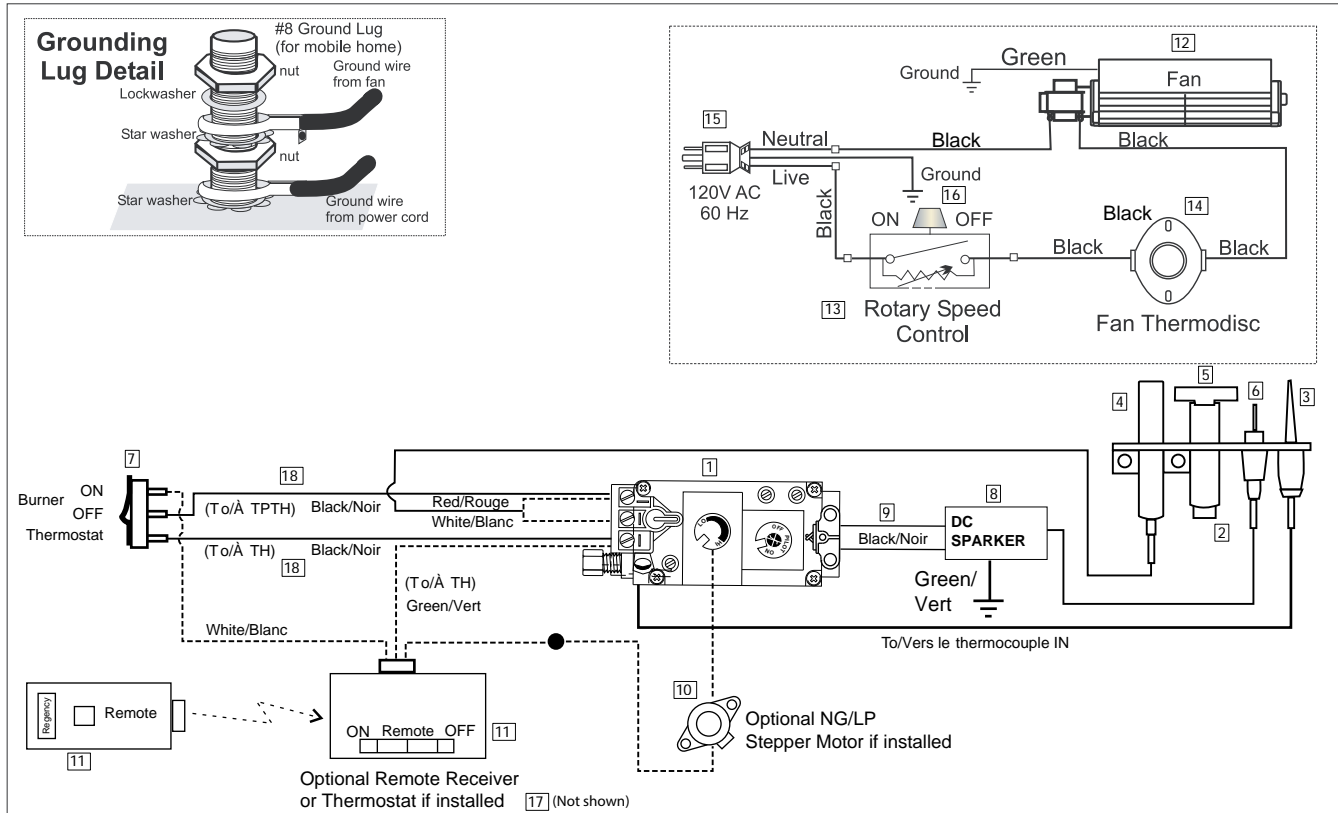
Wiring Diagrams include Optional Wall Thermostat or Optional Remote Control.

This heater does not require a 120V A.C. supply for operation. In case of a power failure, the burner switch and the optional remote control/thermostat will continue to operate. However, a 120V A.C. power supply is needed for the fan/blower operation.

(Do not cut the ground terminal off under any circumstances.)

CAUTION: Label all wires prior to disconnection when servicing controls. Wiring errors can cause improper and dangerous operation.

NOTE: Batteries are required in both remote receiver (4 x AA batteries) & remote hand held (3 x AAA batteries) in order to operate the appliance using the optional remote control.



Caution: Ensure that the wires do not touch any hot surfaces and are away from sharp edges.

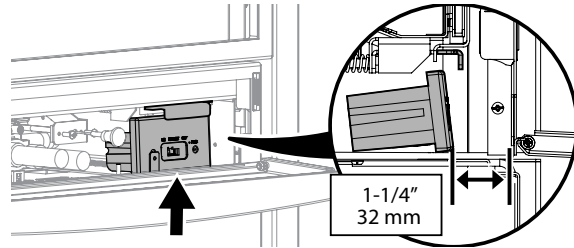
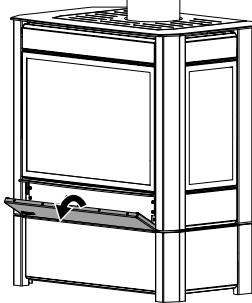
Item	Part #	Description
1	910-568	Valve NG/LP 820 SIT High/Low 0.820.852
2	910-038/P	Pilot Assembly SIT NG 3 Flame Pkgd
2	910-039/P	Pilot Assembly SIT LP 3 Flame Pkgd
3	910-386	Thermocouple SIT 0.290.216
4	910-341	Thermopile New Style 0.940.002
5	910-096	Pilot Hood 3 Flame SIT 0.975.063
6	910-030	Electrode Novasit w/ Wire Short 915.075
7	910-241	Switch 3 Way Gold Contact

Item	Part #	Description
8	910-073	Spark Generator Battery Holder
9	910-074	Spark Generator Switch c/w Wire
10	946-683	Modulator For GTM & GTMF Remote NG
10	946-684	Modulator For GTM & GTMF Remote LP
11	946-704	Optional Remote Control & Remote Receiver On/Off
12	711-509/P	Fan Kit
13	910-330	Speed Control Fan w/ Connectors
14	910-233	Thermodisc Switch 60T12 313457

Item	Part #	Description
15	910-794	Power Cord 12 0 Volt AC
16	904-586	Knob C/W 0.250 x 0.156 Spring Clip Black
17	911-138	Optional Thermostat Digital Non-Programmable
17	910-404/P	Optional Thermostat Wall Programmable Pkgd
18	910-802	Black Switch Wire (Each)

Optional ON/OFF Remote Control Kit / Optional Stepper Motor Install

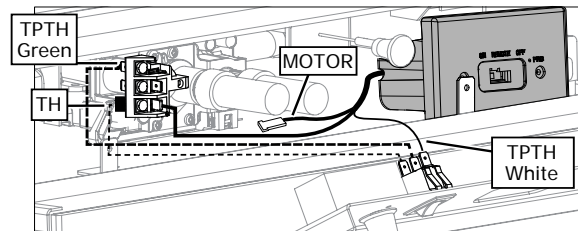
1. Turn the unit off and allow it to cool to room temperature.
2. Unplug or disconnect the stove power source.
3. Pull the front door downwards as shown in the illustrations. This will expose the control panel area. For easier access, the front door can be removed by loosening the Phillips head screw from one side and sliding it out.



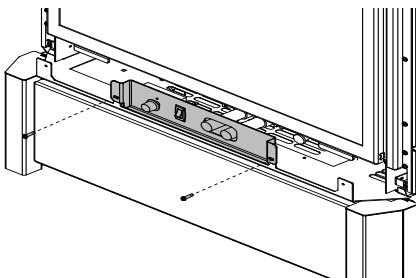
NOTE: Receiver placement can not interfere with front door opening and must be placed behind the handle of the spring latch.

NOTE: Wiring diagram for reference.

7. Install the wiring from the receiver according to the diagram below. Solid lines illustrate the wiring harness from this kit. Dotted lines are the pre-installed wiring for manual on/off switch.

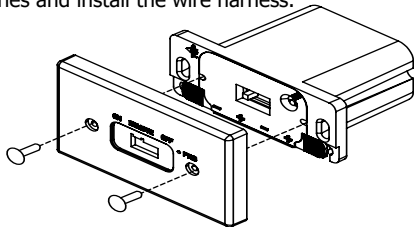


4. Remove the high/low knob & Pilot on/off knob. Then remove the control panel secured by x2 screws to the unit base. Set aside the control panel.



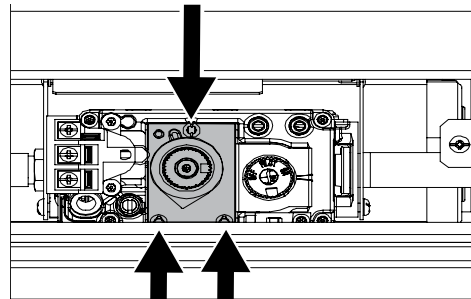
GS33 Optional Stepper Motor Install

5. Install the receiver cover plate using the provided screws. Include 4x AA batteries and install the wire harness.



8. Turn the control knob to the "OFF" position.

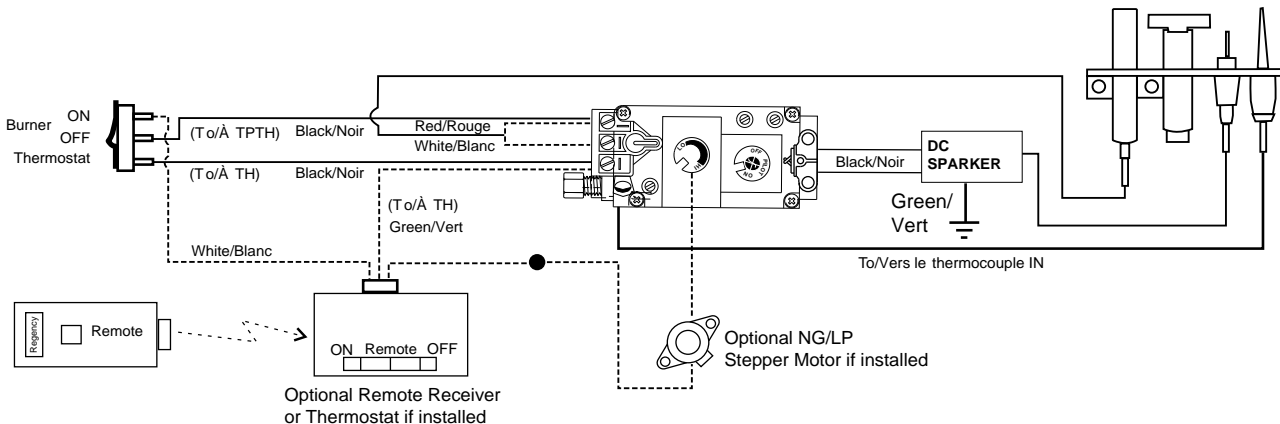
9. Remove the manual high/low by removing the x3 screws shown below. Install the NG (946-683) or LP (946-684) stepper motor. Connect the wiring from the stepper motor to the receiver's motor wiring (shown in step 7).



6. Secure the receiver under the firebox at the location shown below using the supplied velcro.

NOTE: Make sure the location does not interfere with any screw locations.

NOTE: Reverse steps 3-4 to reinstall the control panel. The high/low knob can be disregarded as it's not needed with the stepper in place.



Installation

Optional Wall Thermostat

A wall thermostat may be installed if desired. Connect the wires as per the wiring diagrams. Use table below to determine the maximum wire length:

Note: Preferable if the thermostat is installed on an interior wall.

Regency® offers an optional programmable thermostat but any 250-750 millivolt rated non-anticipator type thermostat that is CSA, ULC or UL approved may be used.

CAUTION

Do not connect the millivolt wall thermostat wires to the 120V wires.

Use the Regency® Remote Control Kit approved for this unit. Use of other systems may void your warranty.

Thermostat Wire Table

Recommended Maximum Lead Length (Two-Wire) When Using Wall Thermostat (CP-2 System)	
Wire Size	Max. Length
14 GA.	50 Ft.
16 GA.	32 Ft.
18 GA.	20 Ft.
20 GA.	12 Ft.
22 GA.	9 Ft.

Final Check

Before leaving this unit with the customer, the installer must ensure that the appliance is firing correctly. This includes:

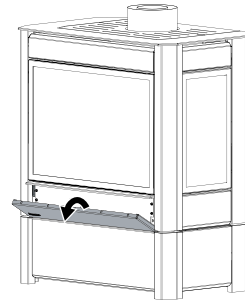
1. Clocking the appliance to ensure the correct firing rate (rate noted on label) at 15 minutes.
2. If required, adjusting the primary air to ensure that the flame does not carbon. First allow the unit to burn for 15 min. to stabilize.
3. Check for proper draft.

CAUTION

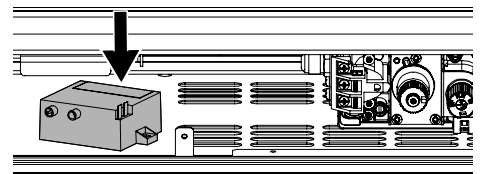
Any alteration to the product that causes sooting or carboning that results in damage to the exterior facia is not the responsibility of the manufacturer.

DC Spark Igniter Battery Install

1. Open the front door to access the DC Sparker.



2. Locate the DC spark box on the left side of the unit.
Twist the box to free from Velcro for better handling.



3. Open the battery compartment door on the DC spark box.
4. Install the 1 AA battery into the DC spark box.



5. Reverse steps 4 to 1.

Maintenance Instructions

1. Always turn off the valve before cleaning. For relighting, refer to lighting instructions. Keep the burner and control compartment clean by brushing and vacuuming at least once a year. When cleaning the logs, use a soft clean paint brush as the logs are fragile and easily damaged.
2. Clean glass (never when unit is hot), appliance, louvers, and door with a damp cloth. Never use an abrasive cleaner. The gold louvers (and optional gold door) may be scratched if abrasives are used to clean them.
The heater is finished in a heat resistant paint and should only be refinished with heat resistant paint (not with wall paint). Regency® uses StoveBright Paint - Metallic Black #6309.
3. Make a periodic check of burner for proper position and condition. Visually check the flame of the burner periodically, making sure the flames are steady; not lifting or floating. If there is a problem, call a qualified service person.
4. Caution: Label all wires prior to disconnection when servicing controls. Wiring errors can cause improper and dangerous operation.
5. The appliance and venting system must be inspected before use, and at least annually, by a qualified field service person, to ensure that the flow of combustion and ventilation air is not obstructed.
During the annual service call, the burners should be removed from the burner tray and cleaned. Replace the embers but do not block the pilot.
6. Keep the area near the appliance clear and free from combustible materials, gasoline, and other flammable vapours and liquids.

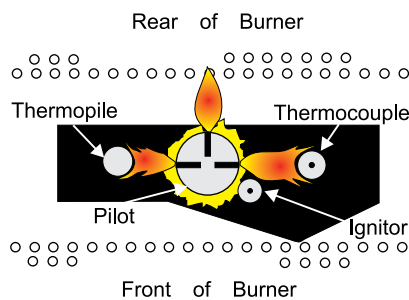
WARNING: CHILDREN AND ADULTS SHOULD BE ALERTED TO THE HAZARDS OF HIGH SURFACE TEMPERATURE AND SHOULD STAY AWAY TO AVOID BURNS OR CLOTHING IGNITION. YOUNG CHILDREN SHOULD BE CAREFULLY SUPERVISED WHEN THEY ARE IN THE SAME ROOM AS THE APPLIANCE.

DO NOT USE THIS APPLIANCE IF ANY PART HAS BEEN UNDER WATER. IMMEDIATELY CALL A QUALIFIED SERVICE TECHNICIAN TO INSPECT THE APPLIANCE AND TO REPLACE ANY PART OF CONTROL SYSTEM AND ANY GAS CONTROL WHICH HAS BEEN UNDER WATER.

CAUTION: ANY SAFETY SCREEN OR GUARD REMOVED FOR SERVICING AN APPLIANCE MUST BE REPLACED PRIOR TO OPERATING THE APPLIANCE.

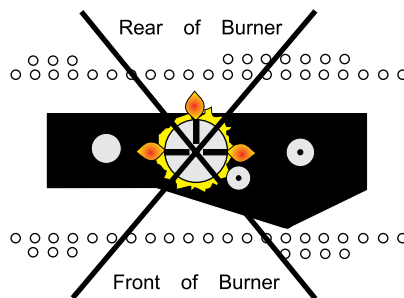
7. Each time the appliance is lit, it may cause condensation and fog the glass. This condensation and fog is normal and will disappear in a few minutes as the glass heats up.
Never operate the appliance without the glass properly secured in place or with the door open.
8. Periodically check the pilot flames. Correct flame pattern has three strong blue flames: 1 flowing around the thermopile and 1 around the thermocouple, and 1 flowing across the rear of the burner (it does not have to be touching the burner).

Note: If you have an incorrect flame pattern, contact your Regency® dealer for further instructions.



Top View of Pilot Flame

Incorrect flame pattern will have small, probably yellow flames, not coming into proper contact with the rear of the burner or thermopile.



Top View of pilot flame

General Vent Maintenance

Conduct an inspection of the venting system semi-annually. Recommended areas to inspect as follows:

1. Check the Venting System for corrosion in areas that are exposed to the elements. These will appear as rust spots or streaks, and in extreme cases, holes. These components should be replaced immediately.
2. Remove the Cap, and shine a flashlight down the Vent. Remove any bird nests, or other foreign material.
3. Check for evidences of excessive condensation, such as water droplets forming in the inner liner, and subsequently dripping out the joints, Continuous condensation can cause corrosion of caps, pipe, and fittings. It may be caused by having excessive lateral runs, too many elbows, and exterior portions of the system being exposed to cold weather.
4. Inspect joints, to verify that no pipe sections or fittings have been disturbed, and consequently loosened. Also check mechanical supports such as Wall Straps, or plumbers' tape for rigidity.

Log Replacement

The unit should never be used with broken logs. Turn off the gas valve and allow the unit to cool before opening door to carefully remove the logs. The pilot light generates enough heat to burn someone. If for any reason a log should need replacement, you must use the proper replacement log. The position of these logs must be as shown in the diagram under Log Installation.

Note: Improper positioning of logs may create carbon build-up and will alter the unit's performance which is not covered under warranty.

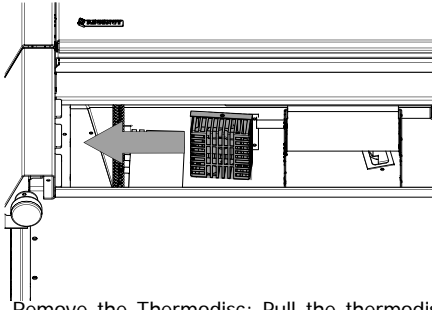
Front & Side/Glass Gasket

If the glass gasket requires replacement use Part # 846-700 Gasket Tadpole Tape 6AL 1/2" Bulb Graphite w/1"PSA (7") (936-273). 1 kit is required for each front or side glass. See your Regency® dealer.

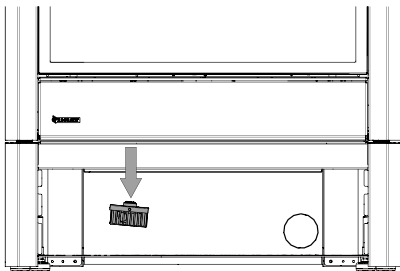
Maintenance

Thermosdisc Replacement

1. Access the Thermosdisc: Remove the front cover and the tray by following Steps 1 to 5 of the WIFI Dongle Installation.
2. Slide the Thermosdisc: Once the tray is removed, locate the thermosdisc. Slide it sideways as indicated.

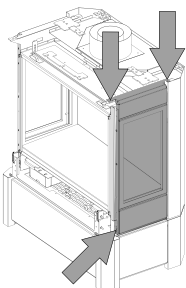


3. Remove the Thermosdisc: Pull the thermosdisc downward to remove it from the unit. Ensure all cables are properly disconnected to avoid damage during removal.

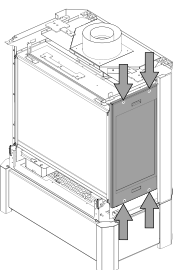


Left & Right Side Glass Replacement

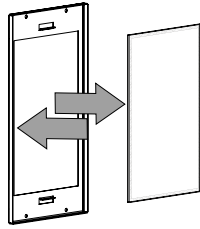
1. Remove Side Frame: Unscrew the three screws, lift the frame slightly upward, then pull it forward to remove it from the stove.



2. Remove Glass Panel: Unscrew the four screws, carefully remove the glass panel assembly from the unit.



3. Remove the old glass from the panel and replace it with the new one.

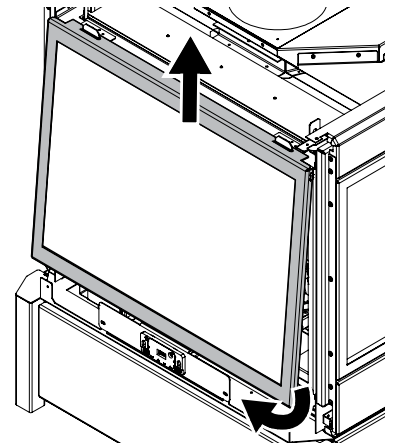


4. Place the new glass into the panel brackets as shown.



5. Reverse the previous steps to install the glass panel.

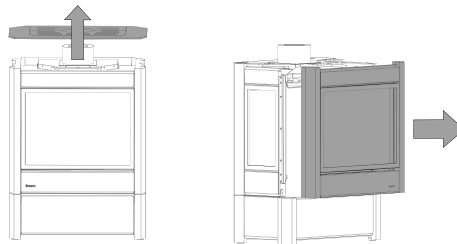
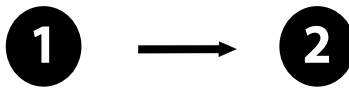
3. Lift the glass upward and carefully tilt it forward to remove.



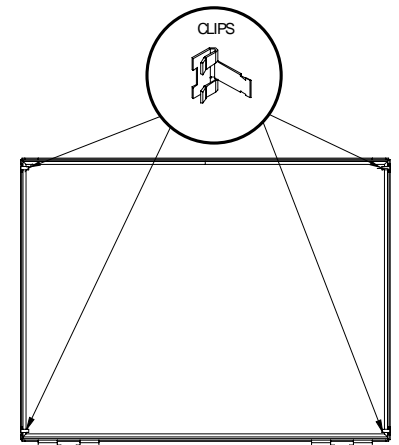
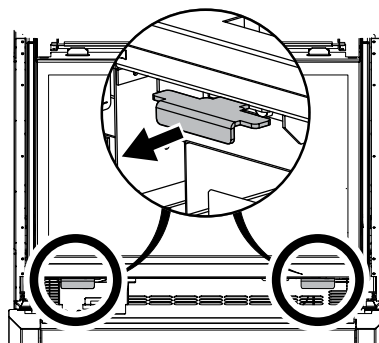
4. Unclip the four fasteners and carefully remove the glass panel.

Front Glass Replacement

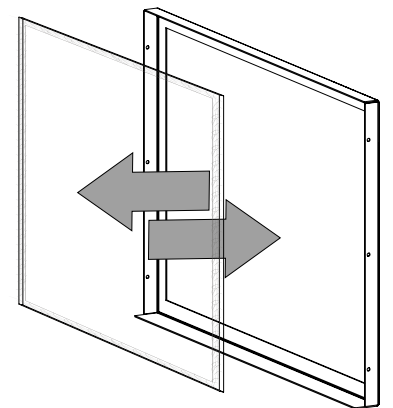
1. Remove the Top and front (Look at the Front panel assembly Removal and Top Removal and Installation for more informations), screen, glass door, logs and any other media, log grate, burner assembly and lower panel (if installed). Place them on a safe, flat surface.



2. Pull the spring latches outward to release the glass frame.



5. Position the new glass on the panel and secure it with the clips.



6. Reverse the previous steps to install the glass panel.

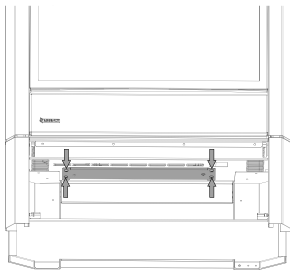
Fan Maintenance/Replacement

IMPORTANT: These fans collect a lot of dust from within your home. Ensure you maintain these fan motors on a regular basis by vacuuming out the fan squirrel cages, around the motor, and around the grills on the back of the stove.

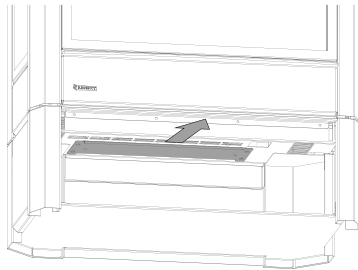
IMPORTANT
Disconnect power supply before servicing

WARNING:
Electrical Grounding Instructions
This appliance is equipped with a three pronged (grounding) plug for your protection against shock hazard and should be plugged directly into a properly grounded three-prong receptacle. Do not cut or remove the grounding prong from this plug.

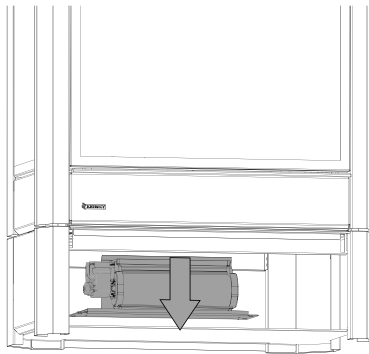
1. Disconnect the appliance from the power supply before starting any service.
2. Allow the unit to cool completely before handling internal components.
3. Loosen Key Screws: Using the appropriate tool, loosen the four key screws. Do not remove the screws completely.



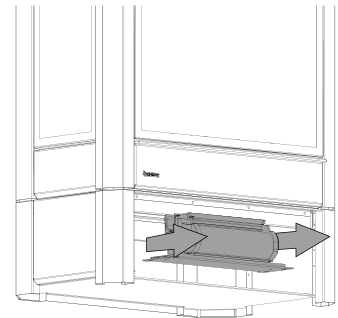
4. Slide Out the Fan Tray: Carefully slide the fan tray forward to disengage it from the stove assembly.



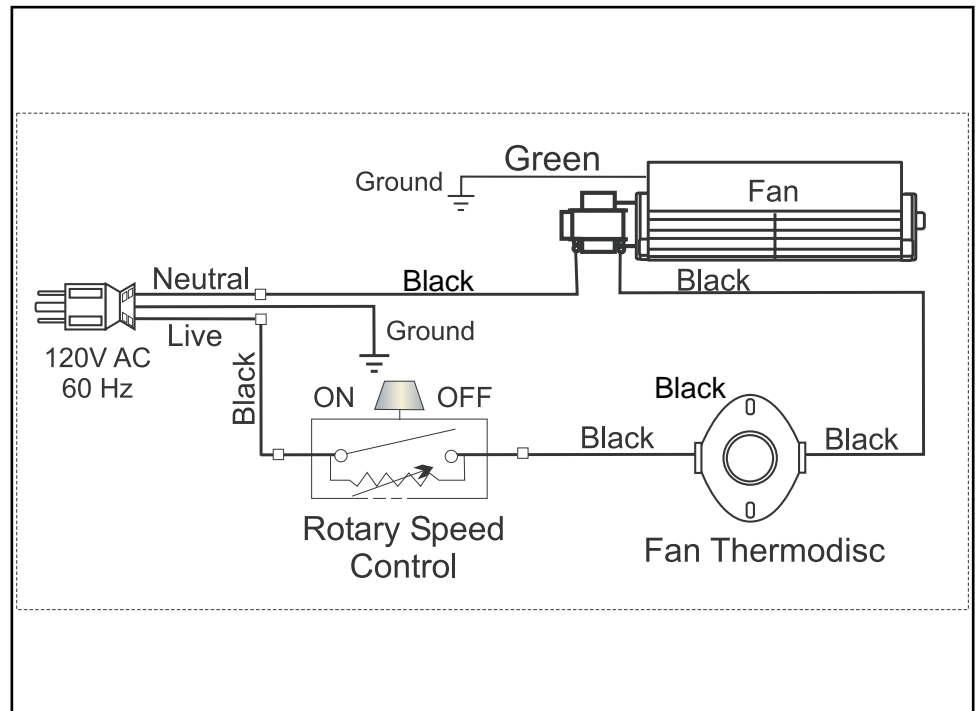
5. Lower the Fan Tray: Gently lower the tray containing the fan. Ensure the tray is fully supported to prevent damage to wiring or components.



6. Disconnect and Remove Fan: Verify that all wires and the ground wire are reattached / fully disconnected from the fan assembly. Once confirmed, remove the fan unit from the stove for inspection, replacement, or servicing. Mark wires for ease of reinstalling new fan.



Important: Reinstall all components in reverse order. Ensure the ground wire and all electrical connections are secure before restoring power to the unit.

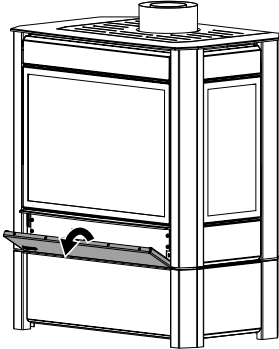


Valve Only Replacement

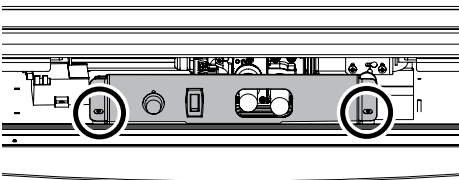
If the valve requires maintenance or replacement, use the following instructions:

Note: Always shut off the gas supply and turn off electrical before removing the valve. Disconnect the gas line at the back of the unit.

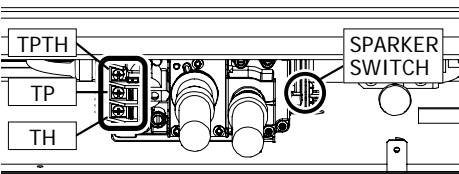
1. Open the front door as shown below.



2. Remove the control panel secured by 2 screws.

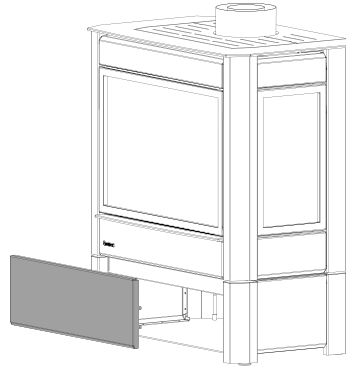


3. Disconnect all TPTH, TP, TH and the sparker switch connections on the valve. Remove extension knobs.

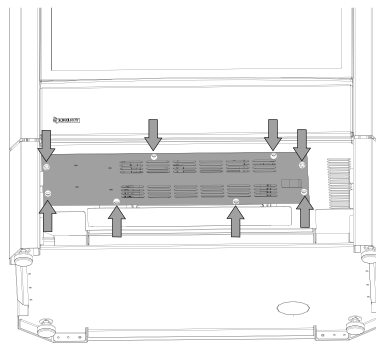


4. **NOTE:** If an optional stepper motor and/or on/off receiver is installed, disconnect the respective wiring connections from the valve.

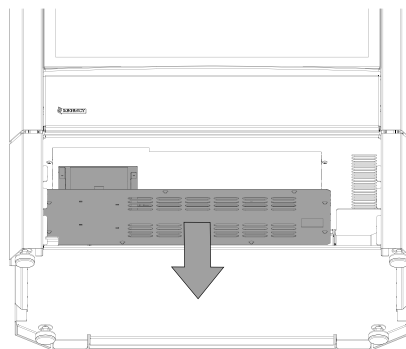
5. Remove the cover panel as shown below.
NOTE: If the legs base is installed, proceed to the next step.



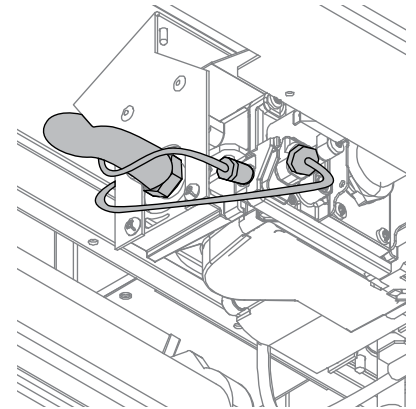
6. Loosen the screws on the keyholes, then slide the bottom access panel backward to release it.



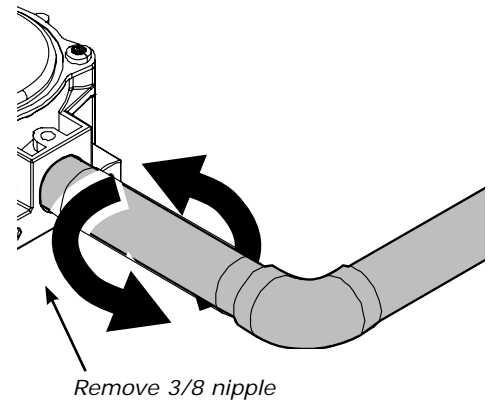
7. Pull the bottom access panel downward to detach it from the unit.



8. Disconnect the pilot tube with a 7/16" wrench, disconnect the flex gas line on outlet side of gas valve along the brass gas fitting. Disconnect the quick drop out thermocouple nut on the valve with a 9 mm (metric) wrench.



9. Remove the 4 screws on the (2) left and (2) right sides securing the valve and remove it fully. The rigid gas pipes will still be attached at this point and will need to be removed and added when replacing with the new gas valve.

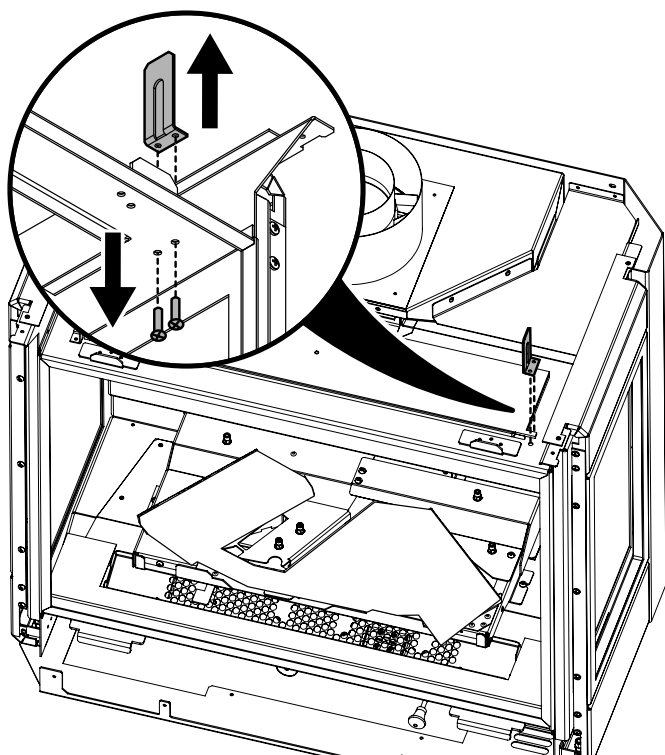


10. Reverse steps 10-1 to replace with new gas valve assembly.

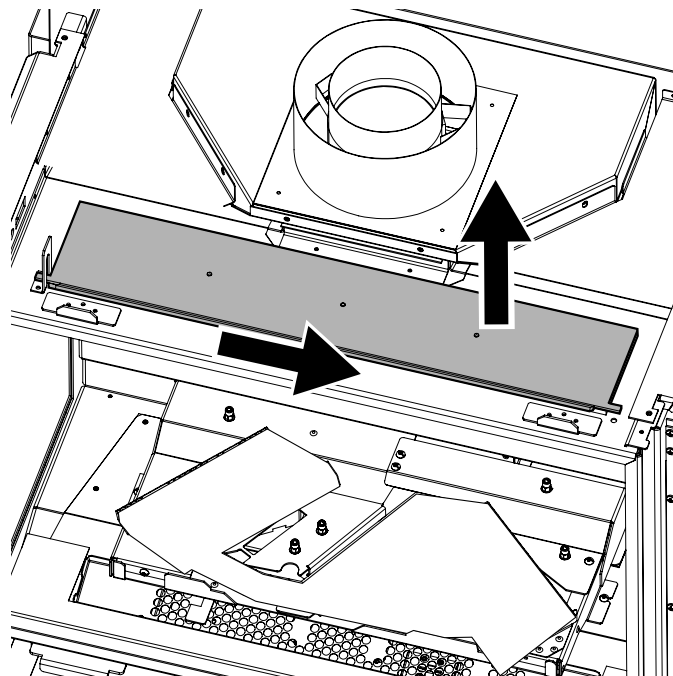
Pressure Relief Door Maintenance

IMPORTANT: The pressure relief door needs to be inspected annually. Use a flashlight to check the gasket seal around the relief door. Shine the light along the perimeter of the pressure relief door to ensure there are no gaps or damage in the seal. If you notice light at the other end of the pressure relief door, the pressure relief door and gasket require replacement, follow steps below to replace the pressure relief door & gasket.

1. Turn the unit off and allow it to cool to room temperature.
2. Unplug or disconnect the stove power source.
3. Remove the unit tops and front assembly (see manual for instructions).
4. If any of the components of the pressure relief door are damaged, replace it with a new assembly (711-513/P). Proceed with instructions to replace the relief door.
5. Remove one of the flame rollout brackets by removing the x2 screws as shown below.



6. Slide the relief door to one side and lift up to remove it fully.



7. Repeat steps 6-3 in reverse to install new relief door.

Maintenance

Gas Maintenance

In order for your Regency appliance to continue to provide comfort to your home periodic maintenance must be performed to ensure it is operating at peak efficiency. The items in the list should be checked by a licensed gas service technician during the annual service check. Your unit may require more frequent maintenance checks if you notice any changes in how it operates. Operational changes to look for can include, but are not limited to, extended start up time, delayed or hard ignition, increased fan noise, residue/carbon build up, white build up on the glass/firebox, increased operating noise etc. Should any of these or other conditions arise, discontinue use and schedule a service check with your local licensed gas technician. The list below shows items your licensed service technician will need to check and service at least annually.

Note: Not all items listed below will be applicable as components/options vary based on appliance purchased.

Clean

- Glass
- Interior bricks / panels
- Burner ports & burner air shutter
- Fan blades
- Log set
- Pilot orifices
- Pilot hood (change as needed)
- Flame sensor (electronic ignition models)
- Flame electrode
- Burner orifice
- Thermocouple (millivolt models)
- Thermopile (millivolt models)
- Surface rust

Inspect

- Pilot assembly
- Burner
- Pressure relief gaskets/doors/door latch
- Flue connector gasket if present
- Door seal
- Firebox
- Venting
- Batteries (remote handheld, remote receiver, DC sparker, change as needed)
- Burner media (change as needed)
- Air shutter setting
- Wiring

Check

- Voltage on thermocouple/thermopile (millivolt models)
- Ohms reading on flame sense (electronic ignition models)
- Inlet/outlet fuel pressures as per rating plate
- Voltage/ohms readings on gas valve
- Ohms reading to on/off switch circuit (Millivolt models)

Gas Leak Tests

- Check main gas line connection to valve
- Check shut off valve connections
- Check connection at gas valve outlet
- Check connection at main burner orifice
- Check pilot fuel line at valve and at pilot assembly

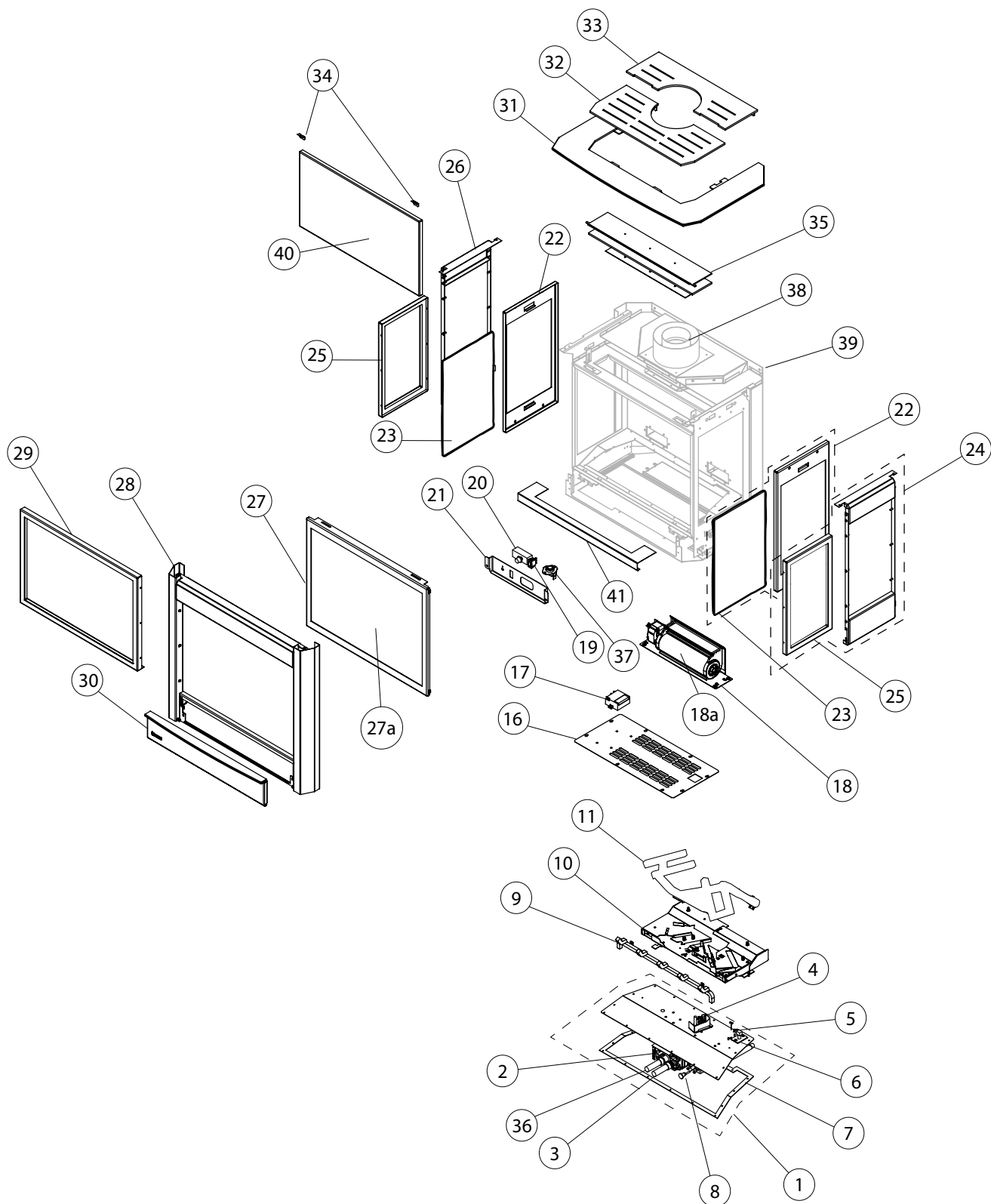
IMPORTANT: It is critical to follow the manufacturer's installation and servicing guidelines, with particular attention to proper log set & media placement. Dangerous operating conditions will exist if the log set/media is not installed correctly or if other logs sets & media are used which are not approved for use with this appliance.

***If any surface rust is present anywhere on the appliance, this should be sanded, cleaned and repainted using only the approved high temperature paint for this appliance.**

Inspect and ensure the lighting of the main burner occurs within 4 seconds of the main gas valve opening.

A monthly visual inspection of the pilot flame is highly recommended & should match what is outlined in this instruction manual.

Main Assembly



Parts List

Main Assembly

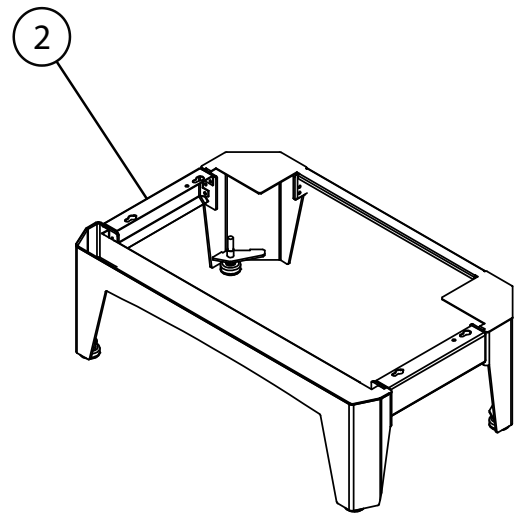
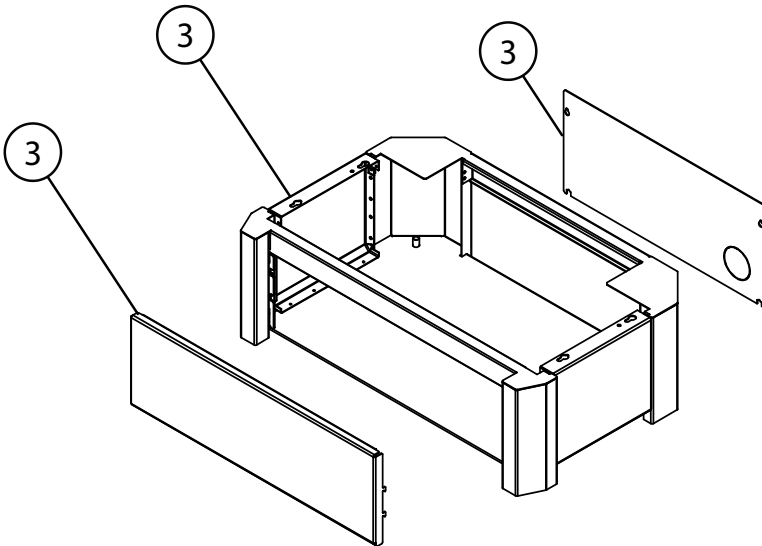
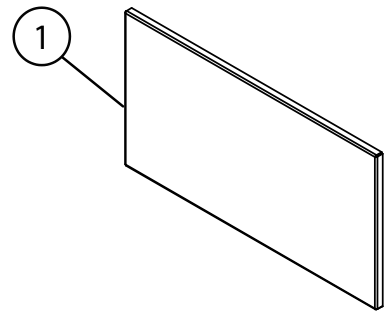
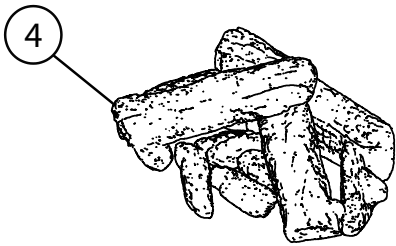
	PART	DESCRIPTION
1	711-678/P	Valve Assembly - NG
1	711-680/P	Valve Assembly - LP
2	910-568	Valve NG/LP 820 SIT High/Low 0.820.852
3	910-421	Knob Ext. Pilot On/Off
4	910-038/P	Pilot Assembly - NG
4	910-039/P	Pilot Assembly - LP
5	904-965	Burner Orifice NG #32
5	905-046	Burner Orifice LP #50
6	904-943	Bracket Dormont Orifice Mnt 10-BZ001-19.5
7	312-052	Valve Tray Gasket
8	762-189	Aeration Cable
9	311-513	Grate
10	312-510	Burner Tray
11	711-525/P	Burner Assembly NG/LP c/w Cap
16	711-077F	Bottom Access Panel
17	910-073	DC Sparker
18	711-509/P	Fan Assembly - (910-331 Fan 15 Volts / 127 Cfm)
18a	910-331/P	Fan Motor Only With Squirrel Cage
19	910-241	Switch 3 Way
20	910-330	Speed Control Fan w/ Connectors
21	711-203/P	Front Cover Panel - Standing Pilot
22	711-510	Side Glass Door Frame w/ Glass/Gasket
23	940-590/P	Side Glass w/ Gasket - Left & Right Sides (Each)
24	711-514	Side Panel Assembly w/ Mesh - Right Side
25	711-073/P	Side Panel Mesh Assembly - Left & Right Sides
26	711-515	Side Panel Assembly w/ Mesh - Left Side
27	711-506	Front Glass Door Assembly
27a	940-589/P	Front Glass Includes Glass gasket
28	711-516	Front Panel Assembly
29	711-072/P	Front Panel Mesh Assembly
30	711-533	Front Panel Door Assembly
31	711-517	Top Plate Front Assembly
32	711-518	Top Plate Front Assembly
33	711-519	Top Plate Rear Assembly
34	711-027	Inner Panel Clip
35	711-513	Relief Door Baffle
36	910-422	Knob Extension Hi/Low
37	910-233	Thermodisc Switch
38	923R	Starter Collar
39	711-512	Rear Cover Assembly Packaged
40	711-026/P	Inner Rear Panel Steel
41	711-025	Front Inner Panel
N/S = Not Shown		
N/S	W840470	Pilot Assembly Gasket
N/S	656-039	Burner Orifice Mount Gasket
N/S	711-071	Restrictor Plate
N/S	904-691	Clip-U (Each)
N/S	911-137	Clip Pilot Hood Holding 0.923.034

	PART	DESCRIPTION
N/S	911-432	Tube Aluminum 1/8 x 24 w/ Steel Fittings
N/S	910-036	Orifice Pilot NG #51 977.165
N/S	910-037	Orifice Pilot LP #30 977.167
N/S	910-096	Novasit Pilot Hood 3 Way
N/S	910-341	Thermopile 0.940.002
N/S	910-386	Quick Dropout Thermocouple 0.290.216
N/S	910-030	Novasit Electrode - Short 0.915.075
N/S	904-529	Allen Key 5/32 Long
N/S	910-940	Black Protective Cap Hi/Low Control Knob
N/S	910-941	4 mm Valve Screw With Red O-Ring
N/S	910-074	Spark Generator Switch c/w Wire
N/S	910-692	Wire Ground 24 inch (Green)
N/S	910-744	Wire Fan To RSC
N/S	910-794	Power Cord 120 Volts
N/S	910-838	Wire High Temp - Valve End (2 per unit)
N/S	911-417	Wire Remote 18 AWG
N/S	904-943	Bracket Dormont Orifice Mount(Gas Line to Burner Orifice) 10-BZ001-19.5
N/S	904-165	Fitting 3/8 Male Flarex Mpt Strt Adaptor
N/S	904-616	Fitting 3/8 Sch 40 BM 90 Elbow
N/S	905-123	Nipple 3/8 x 3.5 inch Black Mall
N/S	905-125	Nipple 3/8 x 11 inch Black Mall
N/S	905-112	Knob 10-32 Phenolic Smooth Black
N/S	312-121	Pilot Shield
N/S	391-084	Pilot Cover
N/S	936-194	Gasket Starter Collar / Air Passage
N/S	936-197	Gasket Flue Collar / Starter Collar
N/S	846-700	Glass Gasket Tadpole Tape 6AL 1/2" Bulb Graphite w/1"PSA (7) (936-273) (Each) Must order 3 if all 3 glass gaskets need to be replaced
N/S	910-802	Wire SIT Valve to Burner On/Off
N/S	911-177	Wire 4 Pos IFC Fan & Light
N/S	911-179	Power Cord IFC Proflame II 120 Volts
N/S	911-193	Connector w/ Jumper
N/S	911-210	Antenna IFC Shielded Harness 315MHz
N/S	911-282	Wire Harness Battery Box Proflame II .584.922
N/S	711-071	Restrictor Plate
N/S	918-876	Decal Remote Quick Reference GTMF
N/S	918-835	Decal Logo Regency / Flame Sit Remote
N/S	919-516	Decal QR Code Pro-Flame Remote Control
N/S	948-223	Logo Plate Plastic Regency/Flame Silver
N/S	391-935	Grate & Ember Media
N/S	711-505	Bottom Door Latch Assembly (Each)
N/S	948-051	Leveling Leg 3/8-16 x 1 in. Nylon Base (Each) 4 Per Unit
N/S	920-921	Control Panel Decal

Optional Accessories

	PART	DESCRIPTION
1	711-905 711-908	Fluted Back Panel Black Inner Panel Enamel Black
2	711-911	Legs
3	711-915	Pedestal F/S
4	311-930/P 311-931 311-933 311-934	Log Set Driftwood Log Set Birch Log Set High Definition Oak Log Set Oak
N/S	711-978	Conversion - NG
N/S	711-977	Conversion - LP
N/S	946-704	On/Off Remote Control Kit
N/S	946-683	Stepper Motor Kit - NG
N/S	946-684	Stepper Motor Kit - LP
N/S	910-404/P	Programmable Wall Thermostat
N/S	911-138	Non Programmable Digital Wall Thermostat

N/S = Not Shown



warranty

Indoor Gas Product Warranty

Limited Lifetime Warranty

FPI Fireplace Products International Ltd. (for Canadian customers) and Fireplace Products US, Inc. (for US customers) (collectively referred to herein as “FPI”) extends this Limited Lifetime Warranty to the original purchaser of this Appliance provided the product remains in the original place of installation. The items covered by this Limited Lifetime Warranty and the period of such coverage are set forth in the table below.

An Appliance in this policy is defined as an Indoor Gas Fireplace, Indoor Gas Insert, Indoor Gas Freestanding Stove.

This Appliance has only been certified and listed for use indoors.

This Limited Lifetime Warranty starts on the day the Appliance was purchased.

The Limited Lifetime Warranty is not transferable, amendable or negotiable under any circumstances.

Indoor Gas Products Warranty Coverage Parts and Labor	Limited Lifetime	5 years	2 years	1 year	Subsidized Labor Coverage* (Years)
Firebox and Heat Exchanger	✓				3
Steel Burner Tube	✓				3
Glass Thermal breakage only	✓				3
All painted Surrounds/Inlays Finishes		✓			3
Brick Panels/Log sets/Ceramic Burners		✓			3
All Castings		✓			3
Valve assembly and all gas control components (Pilot assembly, flame sensors, Spark Electrode, Pilot Tubing, Orifices, Thermocouple, Thermopile)			✓		2
All Other Electrical components (Ignition Control Boards, Wiring, Switches, Blowers, Blower Control Module, Battery Pack, Remote Control Systems)			✓		2
Enamel Panels			✓		1
Venting/Venting Components			✓		1
All Stainless steel surrounds All black chrome Brushed nickel/Antique copper Faceplates/surrounds All Inner/Outer Black Glass panels				✓	1
All Firebox Media (Crystals, Fire beads, Volcanic, Ceramic, Spa Stones, River Pebbles)				✓	1
All hardware				✓	1
WIFI Dongle				✓	1
Mesh/Glass Safety Barriers				✓	1
Accent Light Bulbs				✓	1
Glass (Crazing)				✓	1

Note: Warranty coverage noted above may not be applicable as components/options vary based on appliance purchased.

Conditions:

Warranty protects against defect in manufacture or FPI factory-assembled components only, unless herein specified otherwise.

***This warranty does not cover dealer travel costs, mileage, fuel, tolls for diagnostic or service work. All labor rates paid to authorized dealers are subsidized, pre-determined rates. Dealers may charge you for travel and additional time beyond their subsidy.**

Any part(s) found to be defective during the warranty period as outlined above will be repaired or replaced at FPI's option through an accredited distributor, dealer or pre-approved and assigned agent; provided that the defective part is returned to the distributor, dealer or agent for inspection if requested by FPI. Alternatively, FPI may, at its discretion, fully discharge all of its obligations under warranty by refunding the verified purchase price of the product to the original purchaser. The purchase price must be confirmed by the original Bill of Sale. **The authorized selling dealer, or an alternative authorized FPI dealer if pre-approved by FPI, is responsible for all in-field diagnosis and service work related to all warranty claims. FPI is not responsible for results or costs of workmanship of unauthorized FPI dealers or agents in the negligence of their service work.**

At all times, FPI reserves the right to inspect reported in the field/on location complaints of products claimed to be defective before processing or authorizing any claim. Failure to allow this upon request will void the warranty.

All warranty claims must be submitted by the dealer servicing the claim, including a copy of the Bill of Sale (proof of purchase by you). All claims must be complete and provide full details as requested by FPI to receive consideration for evaluation. **Incomplete claims may be rejected.**

Replacement Appliances to the original purchaser are limited to one per warranty term. Appliances must be installed according to all manufacturers' instructions as per the manual. All Local and National required codes must be met.

The installer is responsible for ensuring the Appliance is operating as designed at the time of installation.

The original purchaser is responsible for the annual maintenance of the Appliance, as outlined in the owner's manual. As outlined below, the warranty may be voided due to problems caused by a lack of maintenance.

Purchased parts: Repair/replacement parts purchased by the consumer from FPI after the original coverage has expired on the Appliance will carry a **90-day** warranty from the purchase date, valid with a receipt only. Any item shown to be defective will be repaired or replaced at our discretion. No labor coverage is included with these parts.

Special Finishes - One year on brushed nickel, black chrome and antique copper faceplates/surrounds. You can expect some changes in color as the product "ages" with constant heating and cooling. FPI warrants the product for any manufacturing defects on the original product. However, the manufacturer's warranty does not cover changing colors and marks, i.e. fingerprints, etc. applied after the purchase of the product. Damage from the use of abrasive cleaners is not covered by warranty.

If freight damage has been found either externally or internally, the dealer must be informed within 3 days. All claims as a result of damage must be submitted by the dealer servicing the claim, including a copy of the Bill of Sale (proof of purchase). All claims must be complete and provide full details as requested by FPI to receive consideration for evaluation. **Incomplete claims may be rejected.**

As this is a Limited Lifetime Warranty, if the Appliance needs to be replaced, the Appliance that was purchased at the time of sale might not be replaced with exactly the same model Appliance. In that case, FPI will replace your Appliance with one that is similar at the time of replacement under the terms of this Limited Lifetime Warranty, but **ONLY** in the event that an item covered by the Limited Lifetime Warranty is found to be defective. Please refer to the table on first page of this warranty for items covered by the Limited Lifetime Warranty. Product changes might be the result of the original Appliance being discontinued, changes in regulatory requirements, product advancements, etc., which are beyond the control of FPI. **This Limited Lifetime Warranty does not cover any installation costs, or costs associated with changes of required clearances for the replacement Appliance, hearth pads, mantles, facing and/or facing materials such as framing, completed walls made of drywall, wood, non-combustible board, tile, brick, stone, marble etc., venting/chimney systems, or components of the chimney system.**

If a suitable replacement is not available, FPI will refund **50%** of the purchase price of the Appliance and any applicable FPI accessories (faceplates, brick panels, media, etc.) purchased at the time of sale. **In no event will FPI refund any portion of the purchase price of, or reimburse costs associated with, any other items, including without limitation, installation of a new Appliance, changes of required clearances for a new Appliance, hearth pads, mantles, facing and/or facing materials such as framing, completed walls made of drywall, wood, non-combustible board, tile, brick, stone, marble etc., venting/chimney systems, or components of the chimney system. A copy of the receipt or bill of sale will be necessary to validate the purchase price.**

warranty

Exclusions:

This Limited Lifetime Warranty does not extend to paint, rust or corrosion of any kind due to a lack of maintenance or improper venting, combustion air provision, corrosive chemicals (i.e. chlorine, salt, air, etc.), door or glass gasketing, batteries, color fading, carbon/sooting of the log sets due to use and does not cover lava rock, platinum/glowing embers, vermiculite.

Malfunction, damage or performance-based issues as a result of environmental conditions, location, chemical damages, downdrafts, installation error, an installation by an unqualified installer, incorrect chimney components (including but not limited to cap size or type), operator error, abuse, misuse, use of improper fuels, lack of regular maintenance and upkeep, acts of God, weather-related problems from hurricanes, tornados, earthquakes, floods, lightning strikes/bolts or acts of terrorism or war, which result in a malfunction of the Appliance are not covered under the terms of this Limited Lifetime Warranty.

FPI has no obligation to enhance or modify any Appliance once manufactured (i.e. as products evolve, field modifications or upgrades will not be performed on existing Appliances).

Any Appliance showing signs of neglect or misuse will not be covered under the terms of this warranty policy and may void this warranty, including Appliances with rusted or corroded fireboxes that have not been reported as rusted or corroded within **three (3)** months of installation/purchase.

Appliances which show evidence of being operated while damaged, or with problems known to the purchaser and causing further damages will void this warranty.

Appliances where the serial no. has been altered, deleted, removed or made illegible will void this warranty.

Minor movement, expansion and contraction of the steel is normal and is not covered under the terms of this warranty.

Freight damages for products or parts are not covered under the terms of the warranty.

Products made or provided by other manufacturers and used in conjunction with the FPI Appliance without prior authorization from FPI may void this warranty.

Limitations of Liability:

The original purchaser's exclusive remedy under this warranty, and FPI's sole obligation under this Limited Lifetime Warranty, express or implied, in contract or in tort, shall be limited to replacement, repair, or refund, as outlined above. IN NO EVENT WILL FPI BE LIABLE UNDER THIS WARRANTY FOR ANY INCIDENTAL OR CONSEQUENTIAL COMMERCIAL DAMAGES OR DAMAGES TO PROPERTY. TO THE EXTENT PERMITTED BY APPLICABLE LAW, FPI MAKES NO EXPRESS WARRANTIES OTHER THAN THE WARRANTY SPECIFIED HEREIN. THE DURATION OF ANY IMPLIED WARRANTY IS LIMITED TO DURATION OF THE EXPRESSED WARRANTY SPECIFIED ABOVE. IF IMPLIED WARRANTIES CANNOT BE DISCLAIMED, THEN SUCH WARRANTIES ARE LIMITED IN DURATION TO THE DURATION OF THIS WARRANTY.

Some US states do not allow limitations on how long an implied warranty lasts, or allow exclusion or limitation of incidental or consequential damages, so the above limitations or exclusions may not apply to you.

Customers located outside the US should consult their local, provincial or national legal codes for additional terms, which may apply to this warranty.

How to Obtain Warranty Service:

Customers should contact the authorized selling dealer to obtain warranty service. In the event the authorized selling dealer is unable to provide warranty service, please contact FPI by mail at the address listed below. Please include a brief description of the problem and your address, email and telephone contact information. A representative will contact you to make arrangements for an inspection and/or warranty service.

Canadian Warrantor:

FPI Fireplace Products International Ltd.

6988 Venture St.
Delta, British Columbia
Canada, V4G 1H4

U.S. Warrantor:

Fireplace Products US, Inc.

PO Box 2189 PMB 125
Blaine, WA
United States, 98231

Or contact the Regency Customer Care Centre at 1-800-442-7432 (phone) / 604-946-4349 (fax)
/customerservice@regency-fire.com (e-mail)

Product Registration and Customer Support:

Thank you for choosing a Regency Fireplace. Regency strives to be a world leader in the design, manufacture, and marketing of hearth products. To provide the best support for your product, we request that you complete a product registration form at <http://www.regency-fire.com/Customer-Care/Warranty-Registration.aspx> within **ninety (90)** days of purchase.

warranty

Warranty Registration Card



Product Registration and Customer Support:

Thank you for choosing a Regency Fireplace. Regency strives to be a world leader in the design, manufacture, and marketing of hearth products. To provide the best support for your product, we request that you complete a product registration form found on our Web Site under Customer Care within ninety (90) days of purchase.

For purchases made in **CANADA or the UNITED STATES:**

<http://www.regency-fire.com/Customer-Care/Warranty-Registration.aspx>

For purchases made in **AUSTRALIA:**

<http://www.regency-fire.com.au/Customer-Care/Warranty-Registration.aspx>

You may also complete the warranty registration form below to register your Regency Fireplace Product and mail and/or fax it back to us, and we will register the warranty for you. It is important you provide us with all the information below in order for us to serve you better.

Warranty Registration Form (or Register online immediately at the above Web Site):

Warranty Details	
Serial Number (required):	
Purchase Date (required) (mm/dd/yyyy):	
Product Details	
Product Model (required):	
Dealer Details	
Dealer Name (required):	
Dealer Address:	
Dealer Phone #:	
Installer:	
Date Installed (mm/dd/yyyy):	
Your Contact Details (required)	
Name:	
Address:	
Phone:	
Email:	

For purchases made in **CANADA:**

FPI Fireplace Products International Ltd.
6988 Venture St.
Delta, British Columbia
Canada, V4G 1H4

Phone: 604-946-5155
Fax: 1-866-393-2806

For purchases made in the **UNITED STATES:**

Fireplace Products US, Inc.
PO Box 2189 PMB 125
Blaine, WA
United States, 98231

Phone: 604-946-5155
Fax: 1-866-393-2806

For purchases made in **AUSTRALIA:**

Fireplace Products Australia Pty Ltd
99 Colemans Road
Dandenong South, Vic.
Australia, 3175

Phone: +61 3 9799 7277
Fax: +61 3 9799 7822

For fireplace care and tips and answers to most common questions please visit our Customer Care section on our Web Site. Please feel free to contact your selling dealer if you have any questions about your Regency product.

PRODUCT LIFE CYCLE:

By recycling your used appliances, you divert waste from your local landfills and help the environment. You also reduce the need for raw materials to manufacture new products. Contact your local municipality for appliance recycling services, local recycling programs, or appliance removal services to ensure your Regency appliance components, and packaging are properly recycled.

Installer: Please complete the following information

Dealer Name & Address: _____

Installer: _____

Phone #: _____

Date Installed: _____

Serial #: _____